

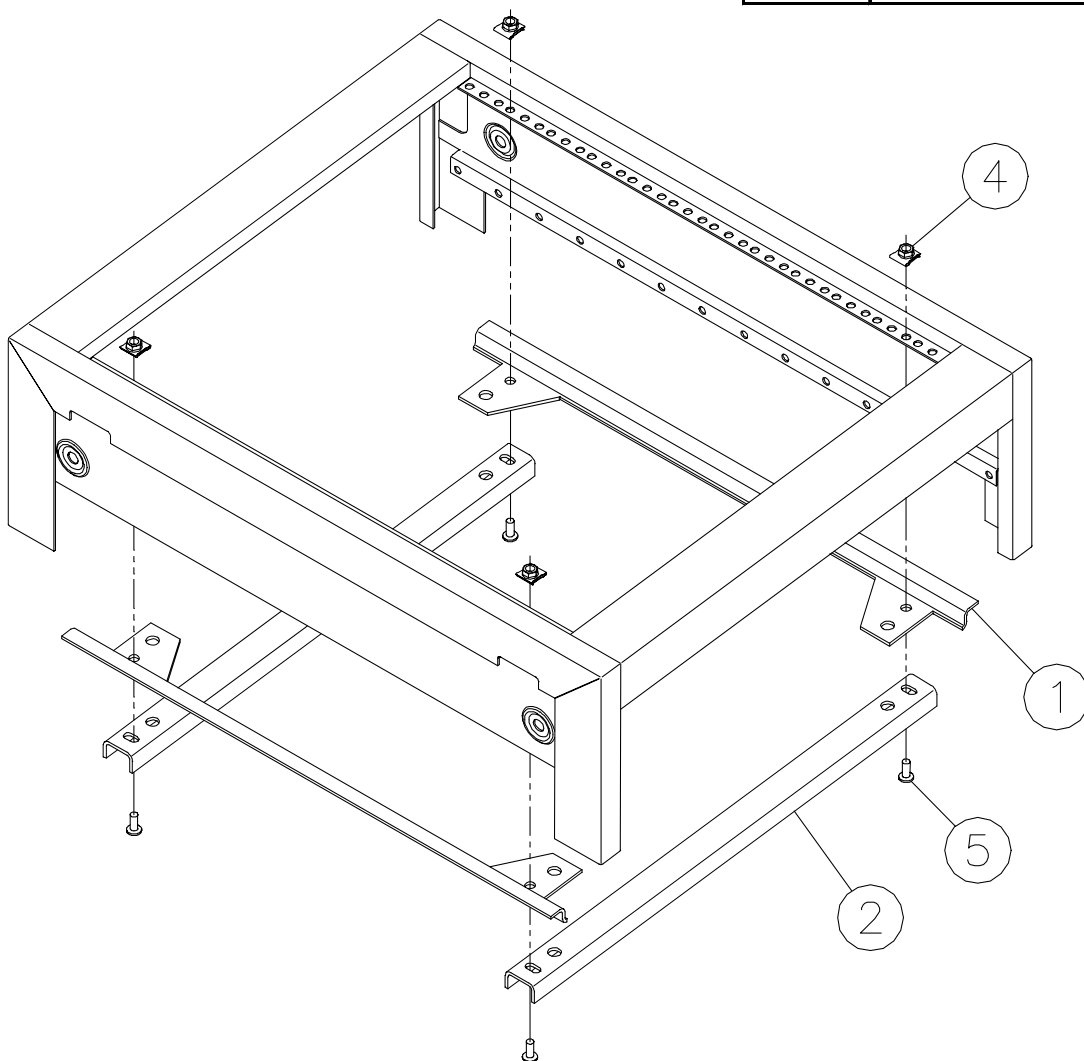
# ASSEMBLY INSTRUCTIONS



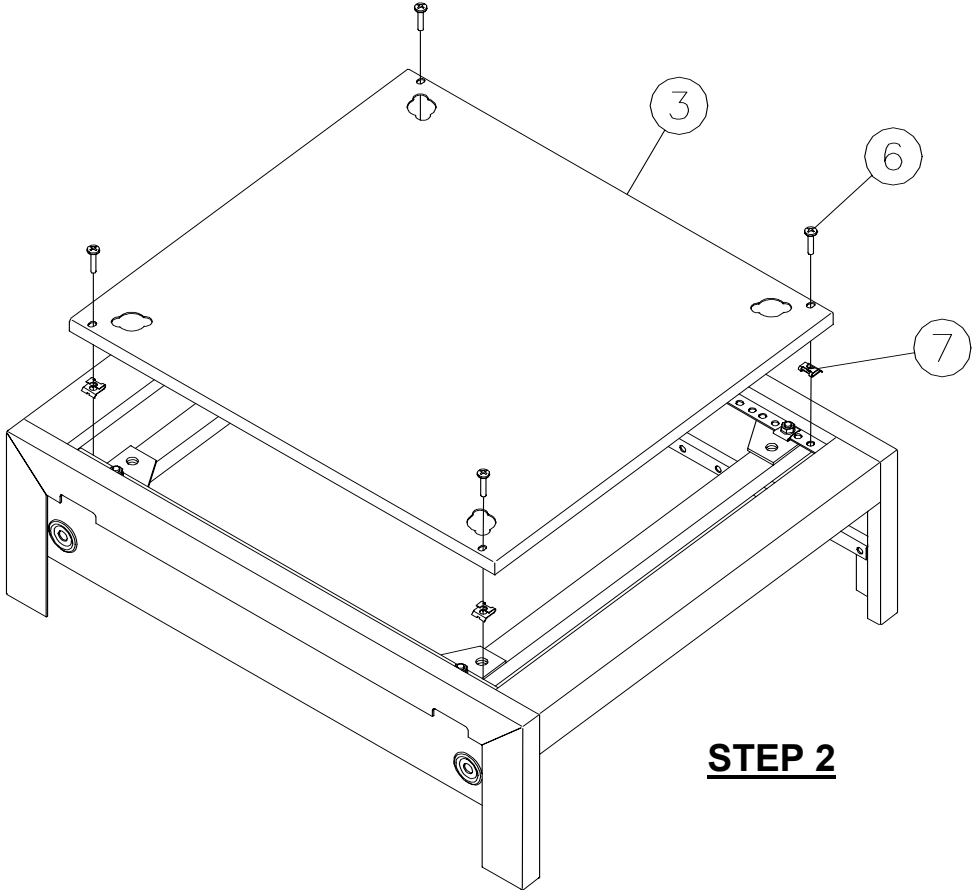
(507) 287-3535 www.emcorenclosures.com

## ESQ / Emcors I Lift Kit

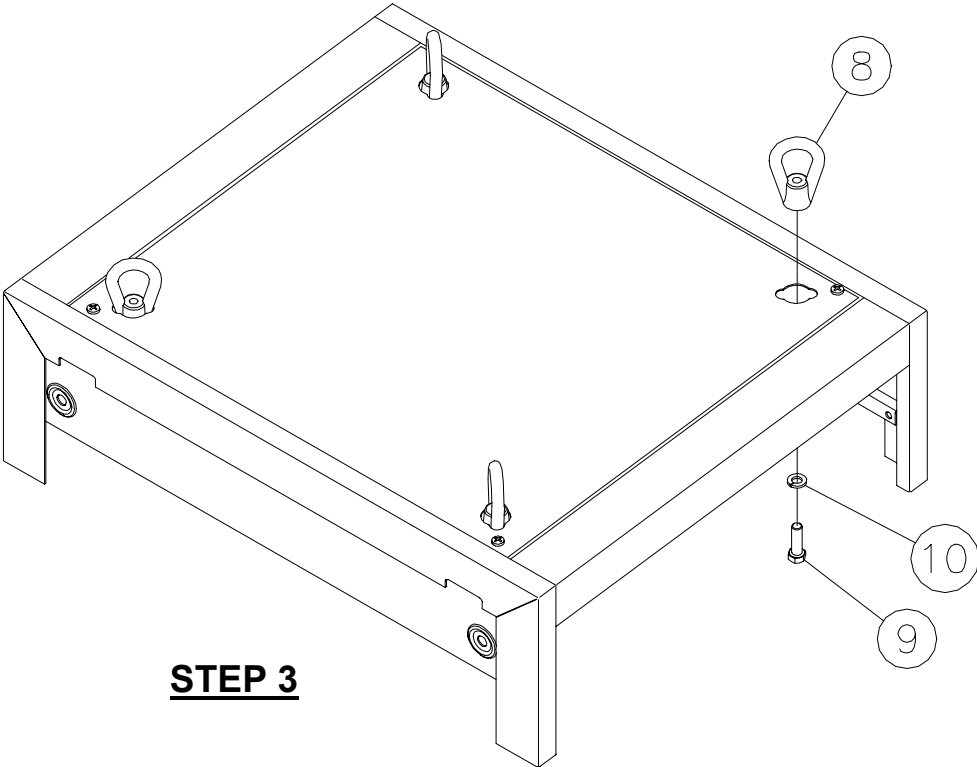
ITEM	DESCRIPTION	QTY
1	SIDE CHANNEL	2
2	CROSS CHANNEL	2
3	TOP PANEL	1
4	1/4-20 CLIP NUT	4
5	1/4-10 X .625 PAN HD SCREW	4
6	10A X 1.12 PAN HD SCREW	4
7	10A CLIP NUT	4
8	3/8-16 X 1.00 LIFT EYE	4
9	3/8-16 X 1.25 HH CAP SCREW	4
10	3/8 LOCK WASHER	4



### STEP 1



**STEP 2**



**STEP 3**