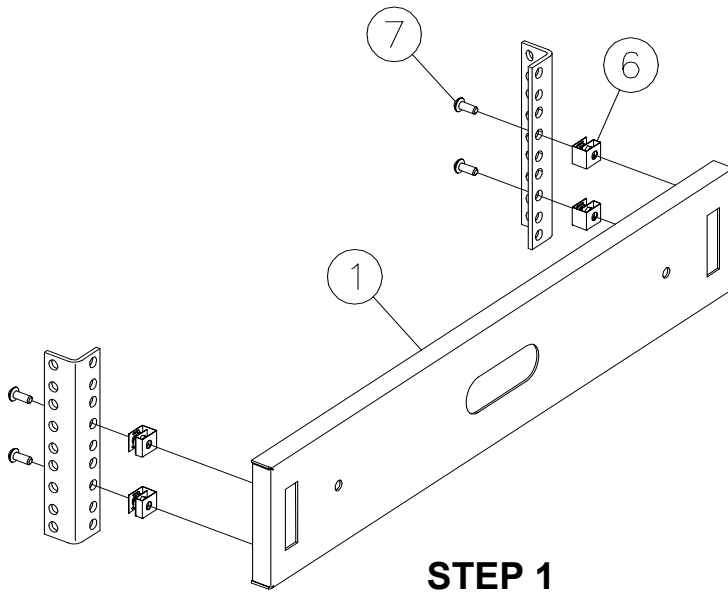


ASSEMBLY INSTRUCTIONS



ESQ / Emcors 1 Writing Top Installation

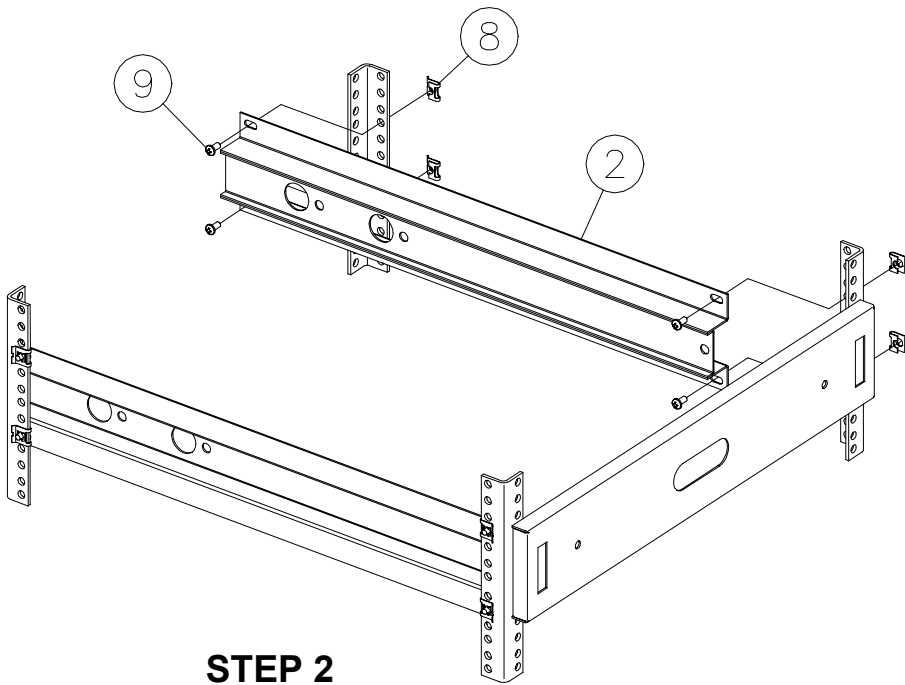
(507) 287-3535 www.emcorenclosures.com



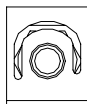
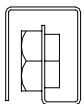

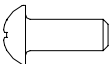
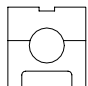



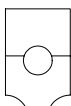
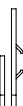

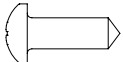
STEP 1

ITEM	DESCRIPTION
1	ADAPTER PANEL
2	MOUNTING BRACKET
3	SUPPORT BAR
4	ANGLE
5	WRITING TOP
6	10-32 CLIP NUT
7	10-32 X .50" PHS
8	10A "J" CLIP NUT
9	10A X .50" SMS
10	14A "J" CLIP NUT
11	14A X .75" SMS

QUANTITIES WILL VARY ACCORDING TO CONFIGURATION

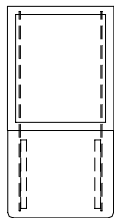
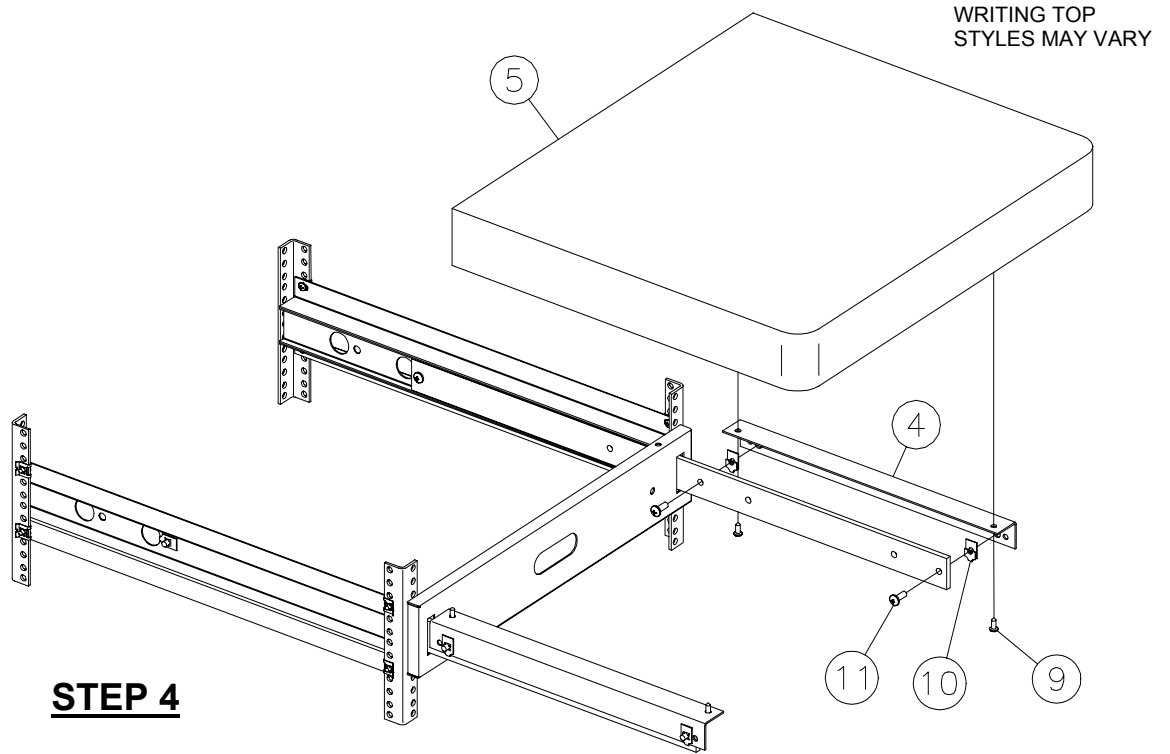
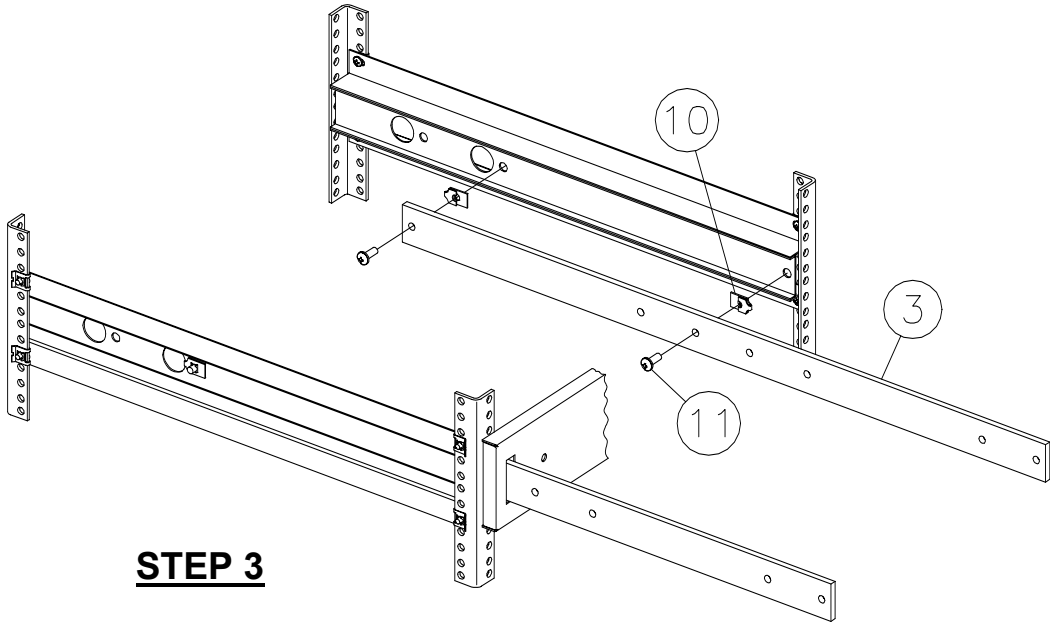


STEP 2

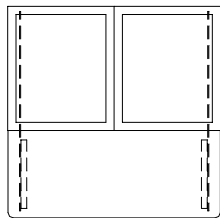
- 10-32 CLIP NUT  
- 10-32 X .50" PHS  
- 10A "J" CLIP NUT  
- 10A X .50" SMS  
- 14A "J" CLIP NUT  
- 14A X .75" SMS  

ESQ / Emcor 1 Writing Top Installation

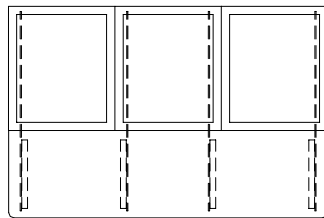
Drawing No. 946160



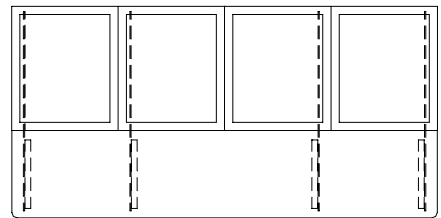
1 Bay



2 Bay



3 Bay



4 Bay