

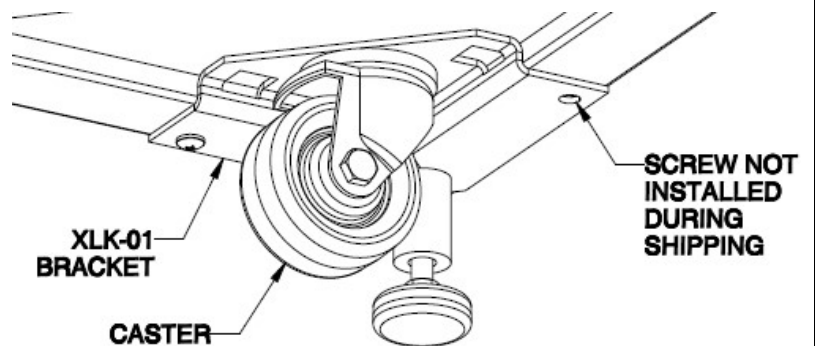
Overview:

The XLK-01 brackets are attached to the 10-series frames using a combination of the caster post and pairs of $\frac{1}{4}$ -20 screws and nuts.

Some of the screws and nuts are not installed during shipping because their holes are used for anchoring the frame to the pallet.

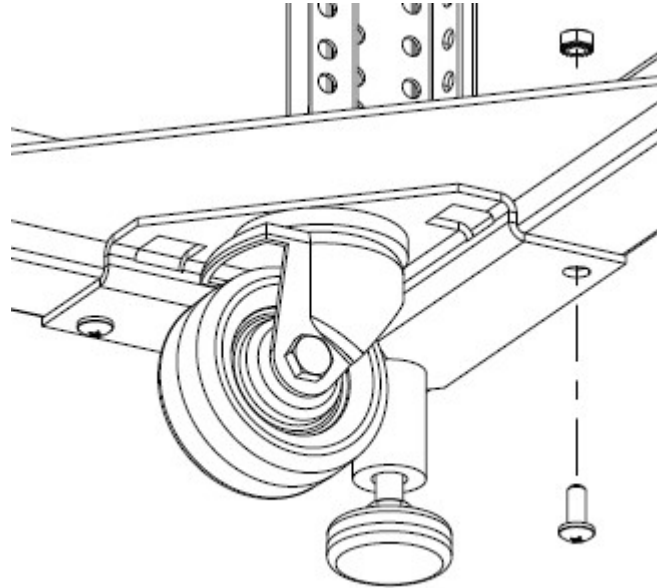
This hardware is put into a plastic bag and attached to the frame during shipping.

At installation time these screws and nuts should be added to the frame per these instructions.



Installing the XLK-01

1. Locate the bag of loose hardware containing the 1/4-20 screws and nuts.
2. Install a nut/screw pair at each bracket location as shown here.



Once all 4 brackets have both 1/4-20 screws/nuts tightened the installation of the XLK-01 is complete.