



Table Of Contents

Vertical Frames	188-189
Part Numbers & Dimensions	
Slope Front Frames	190
Part Numbers & Dimensions	
-WT Style Vertical Frames	191
Part Numbers & Dimensions	
Ordering Guide	192-239
19" Panel Width	
24" Panel Width	
Parts	240-252
Mounting Angles	
Side Panels	
Doors	
Top & Bottom Options	
Doors	
Access Area Options	
Equipment Support Options	
Grounding Options	
Work Surfaces	
Base Options	
Universal Accessories	329-348
Paint Options	
Laminate Options	
Wire Management	
Power Options	
Fan and Blower Options	
Closure Panels	
Name Plates	
Casters	
Levelers	
Hardware	
Technical Information	186-187

EMC

Emission Control Product Line

Overview

Emcor's complete line of modular EMI/RFI Level Shielded Enclosures and accessories were engineered with performance in mind. This line is a perfect combination of quality and styling that shields your system effectively and presents it in an attractive package of which you can be proud. Tested to MIL-STD 285 at a certified test facility, this Emcor shielded enclosure line provides attenuation in excess of 100 db in the E-field to 38 db performance at 1 GHz. Contact the factory for more information.

Features & Benefits

- Modular
- Fully welded construction
- Clean, seamless corner design
- Static Load capacity of 3500 pounds
- 14 gauge and 16 gauge material
- Available in 19" and 24" panel widths
- 15U to 45U vertical panel openings (VPO)
- Overall depth options of 26 5/16" and 31 9/16"
- Adjustable multi-formed mounting angles with rack unit markings
- Vertical and slope front frame styles

Technical Information

Electromagnetic Compatibility (EMC) is the technology of minimizing the electromagnetic interference of electrical or electronic devices or systems. Electromagnetic Interference (EMI or RFI) refers to interference created by time-variant electromagnetic fields which may be propagated along a conducting medium or by radiation through space. Undesirable signals can be radiated from electronic equipment and received by another susceptible electronic system. This radiated electromagnetic energy can cause undesirable interference and improper operation of the receiving system.

The Federal Communications Commission (FCC) has established limitations on radiated and conducted interference levels for all computer and peripheral devices by class of product. Class A devices are used in commercial, industrial or business applications. FCC Part 15, subpart J, states that emanations from a Class – A computing device shall not exceed the level of field strength as given in the chart below.

Frequency (F) (MHZ)	Distance (Meters)	Field Strength ($\mu\text{V}/\text{M}$)
30-88	30	30
88-216	30	50
216-1000	30	70

The Emcor test data is stated in dB-attenuation. This can be converted by the following formula:

$$\text{dB} > 1 \mu\text{V}/\text{M} = 20 \text{ Log} \left(\frac{X \mu\text{V}/\text{M}}{1 \mu\text{V}/\text{M}} \right) \quad \text{Examples: } 10 \mu\text{V}/\text{M} = 20 \text{ dB}$$

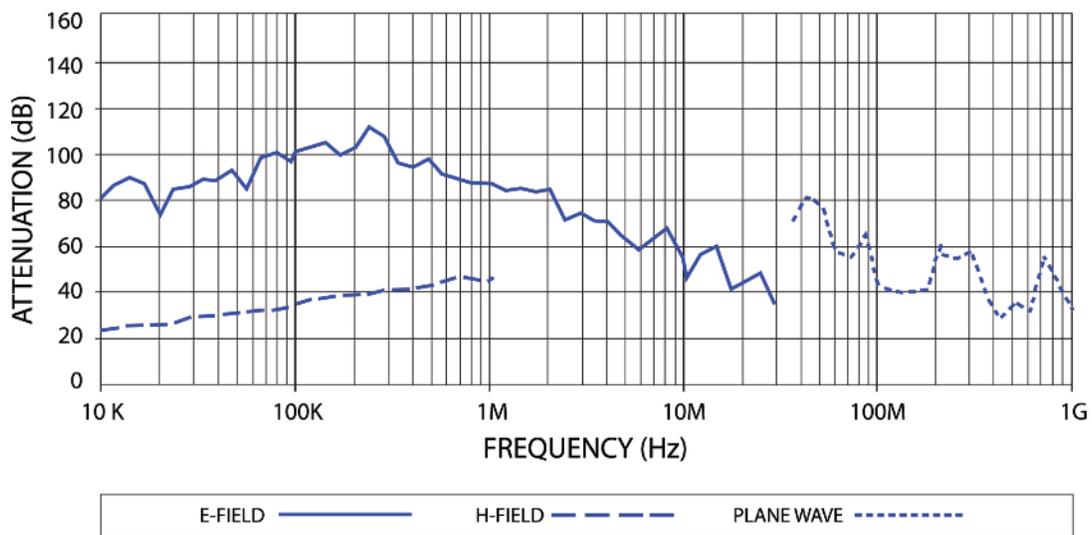
$$100 \mu\text{V}/\text{M} = 40 \text{ dB}$$

Although the FCC specifies maximum permissible signal levels from a system, they do not tell a manufacturer what must be done to reduce emissions. The Emcor EMI/RFI shielded cabinet is designed to both contain and exclude radiated electromagnetic interference by reflecting and absorbing incident electromagnetic radiation.

The ideal EMI/RFI cabinet is a box of metal construction with no seams or openings. The goal of an effective cabinet is to approach these ideal qualities while providing access to the cabinet interior. The seams around all access points are critical to good EMI/RFI shielding and it is necessary that the mating surfaces of these seams are connected electrically. As a result, EMI/RFI gaskets should be used which provide high surface conductivity as well as a barrier to electromagnetic radiation. If different conductive materials are used, they must be galvanically compatible to protect against galvanic corrosion and the resulting loss of conductivity.

Emcor has provided the perfect combination of shielding and accessibility by featuring a cabinet frame with 14 gauge, 1 3/4" wide multi-formed corner channels which are fully welded. This frame has been tested to support a static load of over 3,500 pounds w/o permanent deflection or failure. The rugged construction is necessary to obtain and maintain the close tolerance access opening which, in turn, are needed for proper EMI/RFI gasket sealing. The frame, along with all the optional bolt-on components, are plated per specification ASTM-B633 which calls for electrodeposited zinc plating with a clear chromate conversion coating. Surfaces that mate with the RFI gasket are masked prior to painting. A highly conductive, galvanically compatible, wire mesh gasket is used with the optional components to provide necessary EMI/RFI shielding around the access openings.

Shielding effectiveness was determined using the measurement procedures of Mil. Std. 285. Testing was done at an FCC recognized test facility by a fully computer-automated EMC measuring system.



Properly installed Emcor EMI/RFI cabinets will provide the attenuation levels shown on the test data. Any modifications to the cabinets as supplied from the factory will vary the specified attenuation results.

The cabinets tested were 31.562" deep, 73.625" tall and 22.562" wide. Cabinets were completely closed with a surface front door and flush top, bottom, rear and side panels. Shielding effectiveness may vary slightly as frame size varies and as equipment is changed or added.

EMC

Vertical Frames

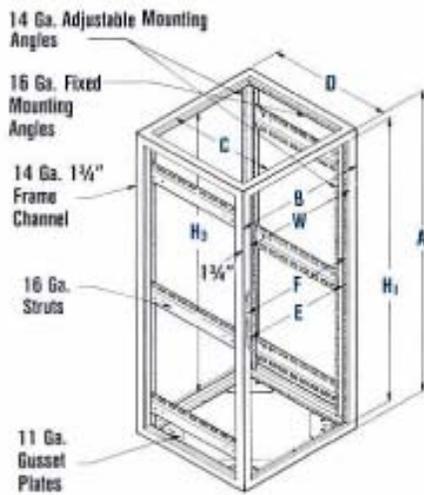
Shielded Vertical Frames

Shielding is effected in two manners on the frames. Doors themselves shield the frame opening allowing adjustable mounting angles and non-shielded components to be placed behind them. When closure panels and shielded components are to be mounted directly to the frame without a door, full length fixed (welded in) shielded mounting angles are required. Emcor offers five frames with different front/rear shielding options.

Note

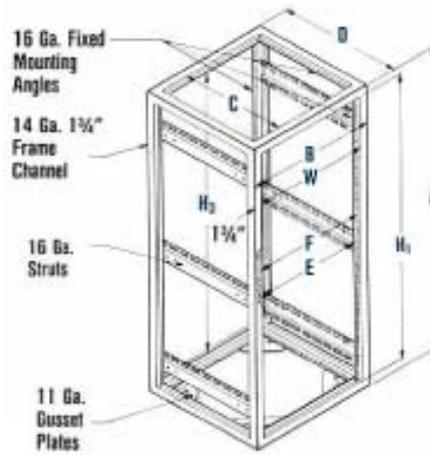
Frames with fixed shielded mounting angles are intended for mounting closure panels and DO NOT have side flanges to accept internal components. If internally mounted options are used, mounting straps must be ordered to allow for the side flange mounting.

*All vertical frames are symmetrical and can be used as front or rear.



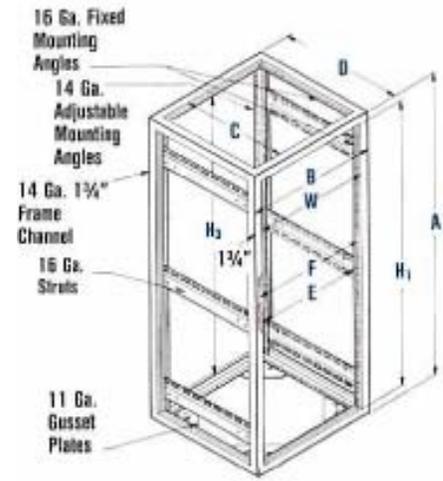
Option 1

Order this option when you require a full length door both front and rear. Frame is supplied with full length adjustable mounting angles behind both doors.



Option 2

Order this option when you require closure panel mounting on both the front and rear. This "no door style" frame is supplied with full length fixed shielded mounting angles behind the closure panels.



Option 3

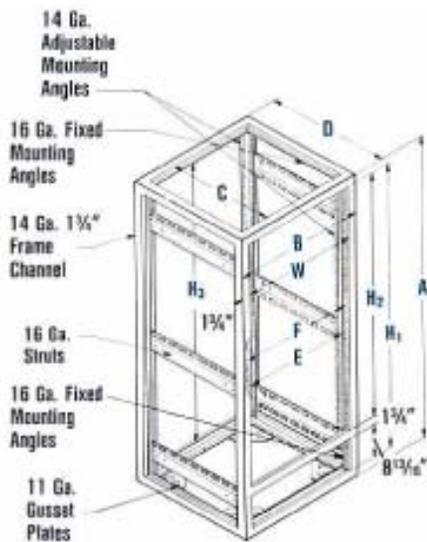
Order this option when you require a full length door rear* and closure panel mounting front. Frame is supplied with full length adjustable mounting angles behind the door and full length fixed shielded mounting angles behind the closure panels.

Vertical Frames

Vertical Frame Part Numbers and Dimensions

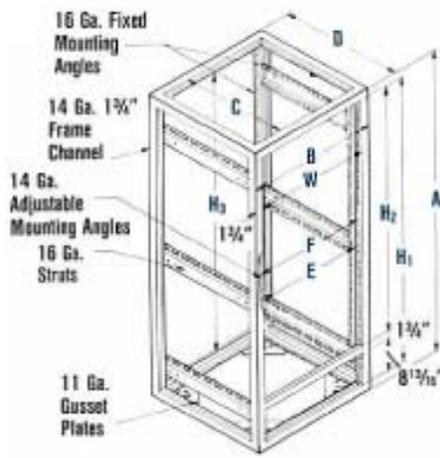
19" Wide	B	W	F	E	24" Wide	B	W	F	E	D	A	H1	H2	H3	C
EFR-262619-*	22.563	19.062	18.310	17.760	EFR-262624-*	27.563	24.062	23.310	22.760	26.313	29.875	26.375	15.813	26.375	22.813
EFR-263319-*	22.563	19.062	18.310	17.760	EFR-263324-*	27.563	24.062	23.310	22.760	26.313	36.875	33.375	22.813	33.375	22.813
EFR-263519-*	22.563	19.062	18.310	17.760	EFR-263524-*	27.563	24.062	23.310	22.760	26.313	38.625	35.125	24.563	35.125	22.813
EFR-264019-*	22.563	19.062	18.310	17.760	EFR-264024-*	27.563	24.062	23.310	22.760	26.313	43.875	40.375	29.813	40.375	22.813
EFR-264919-*	22.563	19.062	18.310	17.760	EFR-264924-*	27.563	24.062	23.310	22.760	26.313	52.625	49.125	38.563	49.125	22.813
EFR-265219-*	22.563	19.062	18.310	17.760	EFR-265224-*	27.563	24.062	23.310	22.760	26.313	56.125	52.625	42.063	52.625	22.813
EFR-266119-*	22.563	19.062	18.310	17.760	EFR-266124-*	27.563	24.062	23.310	22.760	26.313	64.875	61.375	50.813	61.375	22.813
EFR-266319-*	22.563	19.062	18.310	17.760	EFR-266324-*	27.563	24.062	23.310	22.760	26.313	66.625	63.375	52.563	63.375	22.813
EFR-267019-*	22.563	19.062	18.310	17.760	EFR-267024-*	27.563	24.062	23.310	22.760	26.313	73.625	70.125	59.563	70.125	22.813
EFR-267819-*	22.563	19.062	18.310	17.760	EFR-267824-*	27.563	24.062	23.310	22.760	26.313	82.375	78.875	68.313	78.875	22.813
EFR-312619-*	22.563	19.062	18.310	17.760	EFR-312624-*	27.563	24.062	23.310	22.760	31.563	29.875	26.375	15.813	26.375	28.063
EFR-313319-*	22.563	19.062	18.310	17.760	EFR-313324-*	27.563	24.062	23.310	22.760	31.563	36.875	33.375	22.813	33.375	28.063
EFR-313519-*	22.563	19.062	18.310	17.760	EFR-313524-*	27.563	24.062	23.310	22.760	31.563	38.625	35.125	24.563	35.125	28.063
EFR-314019-*	22.563	19.062	18.310	17.760	EFR-314024-*	27.563	24.062	23.310	22.760	31.563	43.875	40.375	29.813	40.375	28.063
EFR-314919-*	22.563	19.062	18.310	17.760	EFR-314924-*	27.563	24.062	23.310	22.760	31.563	52.625	49.125	38.563	49.125	28.063
EFR-315219-*	22.563	19.062	18.310	17.760	EFR-315224-*	27.563	24.062	23.310	22.760	31.563	56.125	52.625	42.063	52.625	28.063
EFR-316119-*	22.563	19.062	18.310	17.760	EFR-316124-*	27.563	24.062	23.310	22.760	31.563	64.875	61.375	50.813	61.375	28.063
EFR-316319-*	22.563	19.062	18.310	17.760	EFR-316324-*	27.563	24.062	23.310	22.760	31.563	66.625	63.375	52.563	63.375	28.063
EFR-317019-*	22.563	19.062	18.310	17.760	EFR-317024-*	27.563	24.062	23.310	22.760	31.563	73.625	70.125	59.563	70.125	28.063
EFR-317819-*	22.563	19.062	18.310	17.760	EFR-317824-*	27.563	24.062	23.310	22.760	31.563	82.375	78.875	68.313	78.875	28.063

* insert option number (1-5)



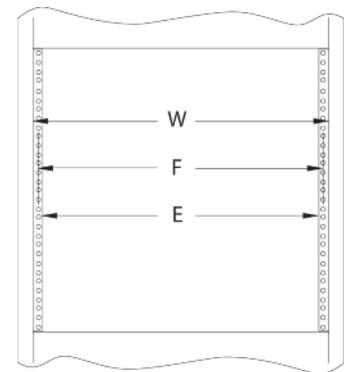
Option 4

Order this option when you require a full length door rear* and above front access area. Frame is supplied with full length adjustable mounting angles behind the doors.



Option 5

Order this option when you require closure panel mounting rear* and a full length door above front access area. Frame is supplied with full length fixed shielded mounting angles behind the closure panel and full length adjustable mounting angles behind the door.



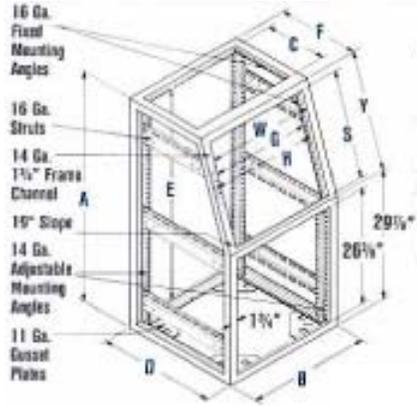
Front View

Slope Front Frames

Slope Front Frame Part Numbers and Dimensions

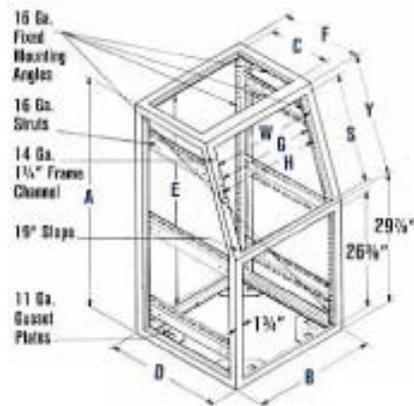
19" Wide					24" Wide											
17 1/2" Slope Opening	B	W	G	H	17 1/2" Slope Opening	B	W	G	H	D	S	A	C	E	F	Y
EFRS-261719-*	22.563	19.063	17.719	18.313	EFRS-261724-*	27.563	24.063	22.719	23.313	26.313	17.563	49.125	15.813	45.625	19.594	20.391
EFRS-311719-*	22.563	19.063	17.719	18.313	EFRS-311724-*	27.563	24.063	22.719	23.313	31.563	17.563	49.125	21.063	45.625	24.844	20.391
21" Slope Opening	B	W	G	H	21" Slope Opening	B	W	G	H	D	S	A	C	E	F	Y
EFRS-262119-*	22.563	19.063	17.719	18.313	EFRS-262124-*	27.563	24.063	22.719	23.313	26.313	21.063	52.625	14.063	49.125	18.391	24.094
EFRS-312119-*	22.563	19.063	17.719	18.313	EFRS-312124-*	27.563	24.063	22.719	23.313	31.563	21.063	52.625	19.313	49.125	23.641	24.094

* insert option number (1-4)



Option 1

Order this option when you require a full length door both front vertical and rear. Frame is supplied with full length adjustable mounting angles behind both doors.



Option 2

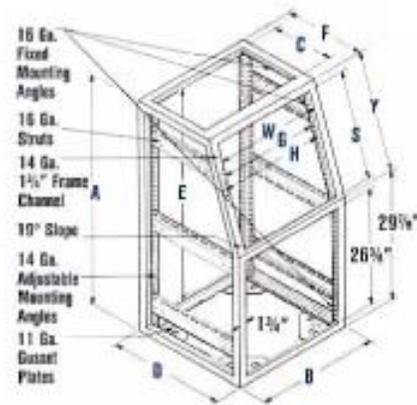
Order this option when you require closure panel mounting on both the front vertical and rear. This "no door style" frame is supplied with full length fixed shielded mounting angles behind the closure panels.

Shielded Slope Front Frames

Shielding is effected in two manners on the frames. Doors themselves shield the frame opening allowing adjustable mounting angles and non-shielded components to be placed behind them. When closure panels and shielded components are to be mounted directly to the frame without a door, full length fixed (welded in) shielded mounting angles are required. Emcor offers four frames with different front/rear shielding options.

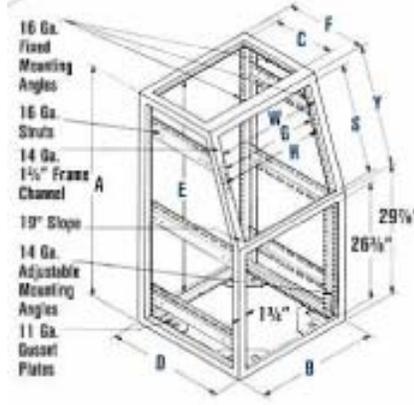
Note

Frames with fixed shielded mounting angles are intended for mounting closure panels and DO NOT have side flanges to accept internal components. If internally mounted options are used, mounting straps must be ordered to allow for the side flange mounting.



Option 3

Order this option when you require a full length door rear and closure panel mounting front vertical. Frame is supplied with full length adjustable mounting angles behind the door and full length fixed shielded mounting angles behind the closure panel.



Option 4

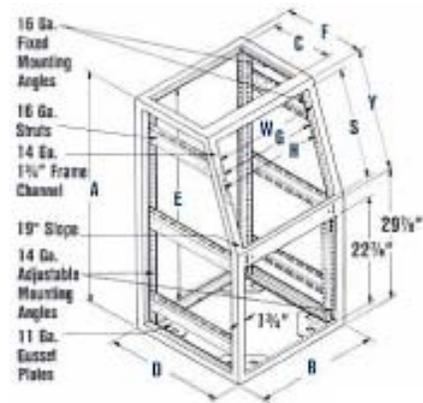
Order this option when you require closure panel mounting rear and a full length door, front vertical. Frame is supplied with full length fixed shielded mounting angles behind the closure panel and full length adjustable mounting angles behind the door.

-WT Style Slope Front Frames

-WT Style Slope Front Frame Part Numbers and Dimensions

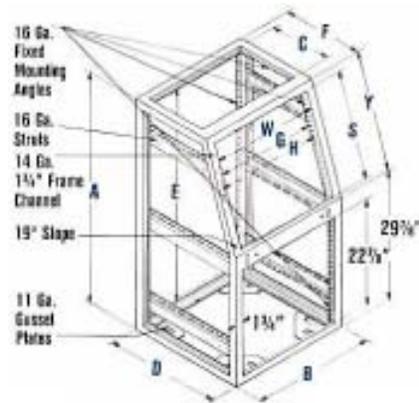
19" Wide					24" Wide											
17 1/2" Slope Opening	B	W	G	H	17 1/2" Slope Opening	B	W	G	H	D	S	A	C	E	F	Y
EFRS-261719-WT-*	22.563	19.063	17.719	18.313	EFRS-261724-WT-*	27.563	24.063	22.719	23.313	26.313	17.563	49.125	15.813	45.625	19.594	20.391
EFRS-311719-WT-*	22.563	19.063	17.719	18.313	EFRS-311724-WT-*	27.563	24.063	22.719	23.313	31.563	17.563	49.125	21.063	45.625	24.844	20.391
21" Slope Opening	B	W	G	H	21" Slope Opening	B	W	G	H	D	S	A	C	E	F	Y
EFRS-262119-WT-*	22.563	19.063	17.719	18.313	EFRS-262124-WT-*	27.563	24.063	22.719	23.313	26.313	21.063	52.625	14.063	49.125	18.391	24.094
EFRS-312119-WT-*	22.563	19.063	17.719	18.313	EFRS-312124-WT-*	27.563	24.063	22.719	23.313	31.563	21.063	52.625	19.313	49.125	23.641	24.094

* insert option number (1-4)



Option 1

Order this option when you require a full length door both front vertical and rear. Frame is supplied with full length adjustable mounting angles behind both doors.



Option 2

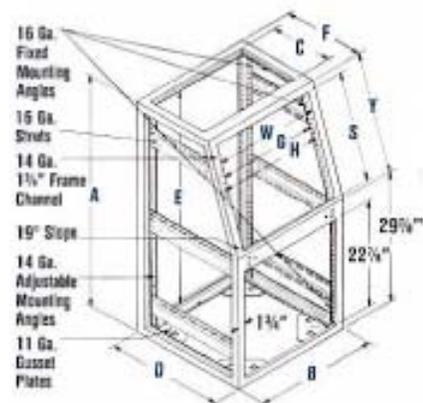
Order this option when you require closure panel mounting on both the front vertical and rear. This "no door style" frame is supplied with full length fixed shielded mounting angles behind the closure panels.

Shielded -WT Style Slope Front Frames

Shielding is effected in two manners on the frames. Doors themselves shield the frame opening allowing adjustable mounting angles and non-shielded components to be placed behind them. When closure panels and shielded components are to be mounted directly to the frame without a door, full length fixed (welded in) shielded mounting angles are required. Emcor offers four frames with different front/rear shielding options.

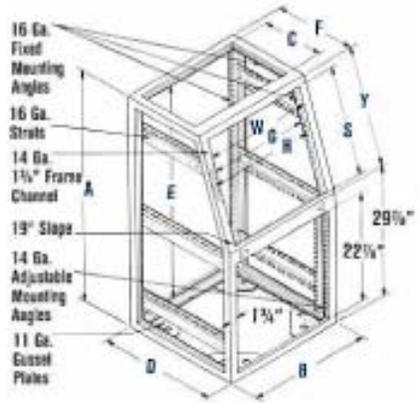
Note

Frames with fixed shielded mounting angles are intended for mounting closure panels and DO NOT have side flanges to accept internal components. If internally mounted options are used, mounting straps must be ordered to allow for the side flange mounting.



Option 3

Order this option when you require a full length door rear and closure panel mounting front vertical. Frame is supplied with full length adjustable mounting angles behind the door and full length fixed shielded mounting angles behind the closure panel.



Option 4

Order this option when you require closure panel mounting rear and a full length door, front vertical. Frame is supplied with full length fixed shielded mounting angles behind the closure panel and full length adjustable mounting angles behind the door.

19" Wide Frames (1)

Mounting Angle Options

Frame	Panel Mounting Angles [240]					
	Thru-Hole		Tapped 1 Face		Tapped 2 Face	
	Front (pr)	Rear (pr)	Front (pr)	Rear (pr)	Front (pr)	Rear (pr)
	Supplied with frame					

Vertical

EFR-262619-1	XMA-26	XMA-26	XMA-26-T	XMA-26-T	XMA-26-T2	XMA-26-T2
EFR-262619-2	fixed	fixed	N/A	N/A	N/A	N/A
EFR-262619-3	fixed	XMA-26	N/A	XMA-26-T	N/A	XMA-26-T2
EFR-262619-4	XMA-15	XMA-26	XMA-15-T	XMA-26-T	XMA-15-T2	XMA-26-T2
EFR-262619-5	XMA-15	fixed	XMA-15-T	N/A	XMA-15-T2	XMA-26-T2
EFR-312619-1	XMA-26	XMA-26	XMA-26-T	XMA-26-T	XMA-26-T2	XMA-26-T2
EFR-312619-2	fixed	fixed	N/A	N/A	N/A	N/A
EFR-312619-3	fixed	XMA-26	N/A	XMA-26-T	N/A	XMA-26-T2
EFR-312619-4	XMA-15	XMA-26	XMA-15-T	XMA-26-T	XMA-15-T2	XMA-26-T2
EFR-312619-5	XMA-15	fixed	XMA-15-T	N/A	XMA-15-T2	N/A
EFR-263319-1	XMA-33	XMA-33	XMA-33-T	XMA-33-T	XMA-33-T2	XMA-33-T2
EFR-263319-2	fixed	fixed	N/A	N/A	N/A	N/A
EFR-263319-3	fixed	XMA-33	N/A	XMA-33-T	N/A	XMA-33-T2
EFR-263319-4	XMA-22	XMA-33	XMA-22-T	XMA-33-T	XMA-22-T2	XMA-33-T2
EFR-263319-5	XMA-22	fixed	XMA-22-T	N/A	XMA-22-T2	N/A
EFR-313319-1	XMA-33	XMA-33	XMA-33-T	XMA-33-T	XMA-33-T2	XMA-33-T2
EFR-313319-2	fixed	fixed	N/A	N/A	N/A	N/A
EFR-313319-3	fixed	XMA-33	N/A	XMA-33-T	N/A	XMA-33-T2
EFR-313319-4	XMA-22	XMA-33	XMA-22-T	XMA-33-T	XMA-22-T2	XMA-33-T2
EFR-313319-5	XMA-22	fixed	XMA-22-T	N/A	XMA-22-T2	N/A
EFR-263519-1	XMA-35	XMA-35	XMA-35-T	XMA-35-T	XMA-35-T2	XMA-35-T2
EFR-263519-2	fixed	fixed	N/A	N/A	N/A	N/A
EFR-263519-3	fixed	XMA-35	N/A	XMA-35-T	N/A	XMA-35-T2
EFR-263519-4	XMA-26	XMA-35	XMA-26-T	XMA-35-T	XMA-26-T2	XMA-35-T2
EFR-263519-5	XMA-26	fixed	XMA-26-T	N/A	XMA-26-T2	N/A
EFR-313519-1	XMA-35	XMA-35	XMA-35-T	XMA-35-T	XMA-35-T2	XMA-35-T2
EFR-313519-2	fixed	fixed	N/A	N/A	N/A	N/A
EFR-313519-3	fixed	XMA-35	N/A	XMA-35-T	N/A	XMA-35-T2
EFR-313519-4	XMA-26	XMA-35	XMA-26-T	XMA-35-T	XMA-26-T2	XMA-35-T2
EFR-313519-5	XMA-26	fixed	XMA-26-T	N/A	XMA-26-T2	N/A
EFR-264019-1	XMA-40	XMA-40	XMA-40-T	XMA-40-T	XMA-40-T2	XMA-40-T2
EFR-264019-2	fixed	fixed	N/A	N/A	N/A	N/A
EFR-264019-3	fixed	XMA-40	N/A	XMA-40-T	N/A	XMA-40-T2
EFR-264019-4	XMA-31	XMA-40	XMA-31-T	XMA-40-T	XMA-31-T2	XMA-40-T2
EFR-264019-5	XMA-31	fixed	XMA-31-T	N/A	XMA-31-T2	N/A
EFR-314019-1	XMA-40	XMA-40	XMA-40-T	XMA-40-T	XMA-40-T2	XMA-40-T2
EFR-314019-2	fixed	fixed	N/A	N/A	N/A	N/A
EFR-314019-3	fixed	XMA-40	N/A	XMA-40-T	N/A	XMA-40-T2
EFR-314019-4	XMA-31	XMA-40	XMA-31-T	XMA-40-T	XMA-31-T2	XMA-40-T2
EFR-314019-5	XMA-31	fixed	XMA-31-T	N/A	XMA-31-T2	N/A
EFR-264919-1	XMA-49	XMA-49	XMA-49-T	XMA-49-T	XMA-49-T2	XMA-49-T2
EFR-264919-2	fixed	fixed	N/A	N/A	N/A	N/A
EFR-264919-3	fixed	XMA-49	N/A	XMA-49-T	N/A	XMA-49-T2
EFR-264919-4	XMA-40	XMA-49	XMA-40-T	XMA-49-T	XMA-40-T2	XMA-49-T2
EFR-264919-5	XMA-40	fixed	XMA-40-T	N/A	XMA-40-T2	N/A
EFR-314919-1	XMA-49	XMA-49	XMA-49-T	XMA-49-T	XMA-49-T2	XMA-49-T2
EFR-314919-2	fixed	fixed	N/A	N/A	N/A	N/A
EFR-314919-3	fixed	XMA-49	N/A	XMA-49-T	N/A	XMA-49-T2
EFR-314919-4	XMA-40	XMA-49	XMA-40-T	XMA-49-T	XMA-40-T2	XMA-49-T2
EFR-314919-5	XMA-40	fixed	XMA-40-T	N/A	XMA-40-T2	N/A

EMC

19" Wide Frames (1)

Side, Top, & Bottom Options

Frame	Side Panels [241]		Top Panels [242]		Bottom Panels [242]
	Inside Removable Solid		Solid	Perforated	Solid
	Left	Right			

Vertical					
EFR-262619-1	ESPI-2626	ESPI-2626	ETP-2219	ETP-2219-PA	EBP-2619
EFR-262619-2	ESPI-2626	ESPI-2626	ETP-2219	ETP-2219-PA	EBP-2619
EFR-262619-3	ESPI-2626	ESPI-2626	ETP-2219	ETP-2219-PA	EBP-2619
EFR-262619-4	ESPI-2626	ESPI-2626	ETP-2219	ETP-2219-PA	EBP-2619
EFR-262619-5	ESPI-2626	ESPI-2626	ETP-2219	ETP-2219-PA	EBP-2619
EFR-312619-1	ESPI-3126	ESPI-3126	ETP-2819	ETP-2819-PA	EBP-3119
EFR-312619-2	ESPI-3126	ESPI-3126	ETP-2819	ETP-2819-PA	EBP-3119
EFR-312619-3	ESPI-3126	ESPI-3126	ETP-2819	ETP-2819-PA	EBP-3119
EFR-312619-4	ESPI-3126	ESPI-3126	ETP-2819	ETP-2819-PA	EBP-3119
EFR-312619-5	ESPI-3126	ESPI-3126	ETP-2819	ETP-2819-PA	EBP-3119
EFR-263319-1	ESPI-2633	ESPI-2633	ETP-2219	ETP-2219-PA	EBP-2619
EFR-263319-2	ESPI-2633	ESPI-2633	ETP-2219	ETP-2219-PA	EBP-2619
EFR-263319-3	ESPI-2633	ESPI-2633	ETP-2219	ETP-2219-PA	EBP-2619
EFR-263319-4	ESPI-2633	ESPI-2633	ETP-2219	ETP-2219-PA	EBP-2619
EFR-263319-5	ESPI-2633	ESPI-2633	ETP-2219	ETP-2219-PA	EBP-2619
EFR-313319-1	ESPI-3133	ESPI-3133	ETP-2819	ETP-2819-PA	EBP-3119
EFR-313319-2	ESPI-3133	ESPI-3133	ETP-2819	ETP-2819-PA	EBP-3119
EFR-313319-3	ESPI-3133	ESPI-3133	ETP-2819	ETP-2819-PA	EBP-3119
EFR-313319-4	ESPI-3133	ESPI-3133	ETP-2819	ETP-2819-PA	EBP-3119
EFR-313319-5	ESPI-3133	ESPI-3133	ETP-2819	ETP-2819-PA	EBP-3119
EFR-263519-1	ESPI-2635	ESPI-2635	ETP-2219	ETP-2219-PA	EBP-2619
EFR-263519-2	ESPI-2635	ESPI-2635	ETP-2219	ETP-2219-PA	EBP-2619
EFR-263519-3	ESPI-2635	ESPI-2635	ETP-2219	ETP-2219-PA	EBP-2619
EFR-263519-4	ESPI-2635	ESPI-2635	ETP-2219	ETP-2219-PA	EBP-2619
EFR-263519-5	ESPI-2635	ESPI-2635	ETP-2219	ETP-2219-PA	EBP-2619
EFR-313519-1	ESPI-3135	ESPI-3135	ETP-2819	ETP-2819-PA	EBP-3119
EFR-313519-2	ESPI-3135	ESPI-3135	ETP-2819	ETP-2819-PA	EBP-3119
EFR-313519-3	ESPI-3135	ESPI-3135	ETP-2819	ETP-2819-PA	EBP-3119
EFR-313519-4	ESPI-3135	ESPI-3135	ETP-2819	ETP-2819-PA	EBP-3119
EFR-313519-5	ESPI-3135	ESPI-3135	ETP-2819	ETP-2819-PA	EBP-3119
EFR-264019-1	ESPI-2640	ESPI-2640	ETP-2219	ETP-2219-PA	EBP-2619
EFR-264019-2	ESPI-2640	ESPI-2640	ETP-2219	ETP-2219-PA	EBP-2619
EFR-264019-3	ESPI-2640	ESPI-2640	ETP-2219	ETP-2219-PA	EBP-2619
EFR-264019-4	ESPI-2640	ESPI-2640	ETP-2219	ETP-2219-PA	EBP-2619
EFR-264019-5	ESPI-2640	ESPI-2640	ETP-2219	ETP-2219-PA	EBP-2619
EFR-314019-1	ESPI-3140	ESPI-3140	ETP-2819	ETP-2819-PA	EBP-3119
EFR-314019-2	ESPI-3140	ESPI-3140	ETP-2819	ETP-2819-PA	EBP-3119
EFR-314019-3	ESPI-3140	ESPI-3140	ETP-2819	ETP-2819-PA	EBP-3119
EFR-314019-4	ESPI-3140	ESPI-3140	ETP-2819	ETP-2819-PA	EBP-3119
EFR-314019-5	ESPI-3140	ESPI-3140	ETP-2819	ETP-2819-PA	EBP-3119
EFR-264919-1	ESPI-2649	ESPI-2649	ETP-2219	ETP-2219-PA	EBP-2619
EFR-264919-2	ESPI-2649	ESPI-2649	ETP-2219	ETP-2219-PA	EBP-2619
EFR-264919-3	ESPI-2649	ESPI-2649	ETP-2219	ETP-2219-PA	EBP-2619
EFR-264919-4	ESPI-2649	ESPI-2649	ETP-2219	ETP-2219-PA	EBP-2619
EFR-264919-5	ESPI-2649	ESPI-2649	ETP-2219	ETP-2219-PA	EBP-2619
EFR-314919-1	ESPI-3149	ESPI-3149	ETP-2819	ETP-2819-PA	EBP-3119
EFR-314919-2	ESPI-3149	ESPI-3149	ETP-2819	ETP-2819-PA	EBP-3119
EFR-314919-3	ESPI-3149	ESPI-3149	ETP-2819	ETP-2819-PA	EBP-3119
EFR-314919-4	ESPI-3149	ESPI-3149	ETP-2819	ETP-2819-PA	EBP-3119
EFR-314919-5	ESPI-3149	ESPI-3149	ETP-2819	ETP-2819-PA	EBP-3119

EMC

19" Wide Frames (1)

Front & Rear Options

Frame	Closure Panels [249]			Doors [243]	
	Solid Closure Panel			Door	
	Front	Rear	Slope	Front	Rear

(1) Block Indicate:

LH - Left Hinge
RH - Right Hinge

Vertical

EFR-262619-1	N/A	N/A	N/A	EDS-2619-(1)	EDS-2619-(1)
EFR-262619-2	EPN-2619	EPN-2619	N/A	N/A	N/A
EFR-262619-3	EPN-2619	N/A	N/A	N/A	EDS-2619-(1)
EFR-262619-4	N/A	N/A	N/A	EDS-1619-(1)	EDS-2619-(1)
EFR-262619-5	N/A	EPN-2619	N/A	EDS-1619-(1)	N/A
EFR-312619-1	N/A	N/A	N/A	EDS-2619-(1)	EDS-2619-(1)
EFR-312619-2	EPN-2619	EPN-2619	N/A	N/A	N/A
EFR-312619-3	EPN-2619	N/A	N/A	N/A	EDS-2619-(1)
EFR-312619-4	N/A	N/A	N/A	EDS-1619-(1)	EDS-2619-(1)
EFR-312619-5	N/A	EPN-2619	N/A	EDS-1619-(1)	N/A
EFR-263319-1	N/A	N/A	N/A	EDS-3319-(1)	EDS-3319-(1)
EFR-263319-2	EPN-3319	EPN-3319	N/A	N/A	N/A
EFR-263319-3	EPN-3319	N/A	N/A	N/A	EDS-3319-(1)
EFR-263319-4	N/A	N/A	N/A	EDS-2319-(1)	EDS-3319-(1)
EFR-263319-5	N/A	EPN-3319	N/A	EDS-2319-(1)	N/A
EFR-313319-1	N/A	N/A	N/A	EDS-3319-(1)	EDS-3319-(1)
EFR-313319-2	EPN-3319	EPN-3319	N/A	N/A	N/A
EFR-313319-3	EPN-3319	N/A	N/A	N/A	EDS-3319-(1)
EFR-313319-4	N/A	N/A	N/A	EDS-2319-(1)	EDS-3319-(1)
EFR-313319-5	N/A	EPN-3319	N/A	EDS-2319-(1)	N/A
EFR-263519-1	N/A	N/A	N/A	EDS-3519-(1)	EDS-3519-(1)
EFR-263519-2	EPN-3519	EPN-3519	N/A	N/A	N/A
EFR-263519-3	EPN-3519	N/A	N/A	N/A	EDS-3519-(1)
EFR-263519-4	N/A	N/A	N/A	EDS-2519-(1)	EDS-3519-(1)
EFR-263519-5	N/A	EPN-3519	N/A	EDS-2519-(1)	N/A
EFR-313519-1	N/A	N/A	N/A	EDS-3519-(1)	EDS-3519-(1)
EFR-313519-2	EPN-3519	EPN-3519	N/A	N/A	N/A
EFR-313519-3	EPN-3519	N/A	N/A	N/A	EDS-3519-(1)
EFR-313519-4	N/A	N/A	N/A	EDS-2519-(1)	EDS-3519-(1)
EFR-313519-5	N/A	EPN-3519	N/A	EDS-2519-(1)	N/A
EFR-264019-1	N/A	N/A	N/A	EDS-4019-(1)	EDS-4019-(1)
EFR-264019-2	EPN-4019	EPN-4019	N/A	N/A	N/A
EFR-264019-3	EPN-4019	N/A	N/A	N/A	EDS-4019-(1)
EFR-264019-4	N/A	N/A	N/A	EDS-3019-(1)	EDS-4019-(1)
EFR-264019-5	N/A	EPN-4019	N/A	EDS-3019-(1)	N/A
EFR-314019-1	N/A	N/A	N/A	EDS-4019-(1)	EDS-4019-(1)
EFR-314019-2	EPN-4019	EPN-4019	N/A	N/A	N/A
EFR-314019-3	EPN-4019	N/A	N/A	N/A	EDS-4019-(1)
EFR-314019-4	N/A	N/A	N/A	EDS-3019-(1)	EDS-4019-(1)
EFR-314019-5	N/A	EPN-4019	N/A	EDS-3019-(1)	N/A
EFR-264919-1	N/A	N/A	N/A	EDS-4919-(1)	EDS-4919-(1)
EFR-264919-2	EPN-4919	EPN-4919	N/A	N/A	N/A
EFR-264919-3	EPN-4919	N/A	N/A	N/A	EDS-4919-(1)
EFR-264919-4	N/A	N/A	N/A	EDS-3919-(1)	EDS-4919-(1)
EFR-264919-5	N/A	EPN-4919	N/A	EDS-3919-(1)	N/A
EFR-314919-1	N/A	N/A	N/A	EDS-4919-(1)	EDS-4919-(1)
EFR-314919-2	EPN-4919	EPN-4919	N/A	N/A	N/A
EFR-314919-3	EPN-4919	N/A	N/A	N/A	EDS-4919-(1)
EFR-314919-4	N/A	N/A	N/A	EDS-3919-(1)	EDS-4919-(1)
EFR-314919-5	N/A	EPN-4919	N/A	EDS-3919-(1)	N/A

EMC

19" Wide Frames (1)

Access Area Options

Frame	Closure Panels [249]		Blowers [248]	
	Solid Closure Panel	Blower Panel	Blower	
			300 CFM	350 CFM
		This panel must be ordered in conjunction with a blower option.	Remember to order a blower panel.	Remember to order a blower panel.

Vertical

EFR-262619-1	N/A	N/A	N/A	N/A
EFR-262619-2	N/A	N/A	N/A	N/A
EFR-262619-3	N/A	N/A	N/A	N/A
EFR-262619-4	EPN-0819	EPN-0819-BP	BL-300EG	BL-350EG
EFR-262619-5	EPN-0819	EPN-0819-BP	BL-300EG	BL-350EG
EFR-312619-1	N/A	N/A	N/A	N/A
EFR-312619-2	N/A	N/A	N/A	N/A
EFR-312619-3	N/A	N/A	N/A	N/A
EFR-312619-4	EPN-0819	EPN-0819-BP	BL-300EG	BL-350EG
EFR-312619-5	EPN-0819	EPN-0819-BP	BL-300EG	BL-350EG
EFR-263319-1	N/A	N/A	N/A	N/A
EFR-263319-2	N/A	N/A	N/A	N/A
EFR-263319-3	N/A	N/A	N/A	N/A
EFR-263319-4	EPN-0819	EPN-0819-BP	BL-300EG	BL-350EG
EFR-263319-5	EPN-0819	EPN-0819-BP	BL-300EG	BL-350EG
EFR-313319-1	N/A	N/A	N/A	N/A
EFR-313319-2	N/A	N/A	N/A	N/A
EFR-313319-3	N/A	N/A	N/A	N/A
EFR-313319-4	EPN-0819	EPN-0819-BP	BL-300EG	BL-350EG
EFR-313319-5	EPN-0819	EPN-0819-BP	BL-300EG	BL-350EG
EFR-263519-1	N/A	N/A	N/A	N/A
EFR-263519-2	N/A	N/A	N/A	N/A
EFR-263519-3	N/A	N/A	N/A	N/A
EFR-263519-4	EPN-0819	EPN-0819-BP	BL-300EG	BL-350EG
EFR-263519-5	EPN-0819	EPN-0819-BP	BL-300EG	BL-350EG
EFR-313519-1	N/A	N/A	N/A	N/A
EFR-313519-2	N/A	N/A	N/A	N/A
EFR-313519-3	N/A	N/A	N/A	N/A
EFR-313519-4	EPN-0819	EPN-0819-BP	BL-300EG	BL-350EG
EFR-313519-5	EPN-0819	EPN-0819-BP	BL-300EG	BL-350EG
EFR-264019-1	N/A	N/A	N/A	N/A
EFR-264019-2	N/A	N/A	N/A	N/A
EFR-264019-3	N/A	N/A	N/A	N/A
EFR-264019-4	EPN-0819	EPN-0819-BP	BL-300EG	BL-350EG
EFR-264019-5	EPN-0819	EPN-0819-BP	BL-300EG	BL-350EG
EFR-314019-1	N/A	N/A	N/A	N/A
EFR-314019-2	N/A	N/A	N/A	N/A
EFR-314019-3	N/A	N/A	N/A	N/A
EFR-314019-4	EPN-0819	EPN-0819-BP	BL-300EG	BL-350EG
EFR-314019-5	EPN-0819	EPN-0819-BP	BL-300EG	BL-350EG
EFR-264919-1	N/A	N/A	N/A	N/A
EFR-264919-2	N/A	N/A	N/A	N/A
EFR-264919-3	N/A	N/A	N/A	N/A
EFR-264919-4	EPN-0819	EPN-0819-BP	BL-300EG	BL-350EG
EFR-264919-5	EPN-0819	EPN-0819-BP	BL-300EG	BL-350EG
EFR-314919-1	N/A	N/A	N/A	N/A
EFR-314919-2	N/A	N/A	N/A	N/A
EFR-314919-3	N/A	N/A	N/A	N/A
EFR-314919-4	EPN-0819	EPN-0819-BP	BL-300EG	BL-350EG
EFR-314919-5	EPN-0819	EPN-0819-BP	BL-300EG	BL-350EG

EMC

19" Wide Frames (1)

Base Options

Frame	Additional Base Options [251]		
	Pontoon Base	Fork Lift Base	Anti Tip Base

Vertical

EFR-262619-1	XPB-2619	XPB-2619-FL	XPB-2619-AT
EFR-262619-2	XPB-2619	XPB-2619-FL	XPB-2619-AT
EFR-262619-3	XPB-2619	XPB-2619-FL	XPB-2619-AT
EFR-262619-4	XPB-2619	XPB-2619-FL	XPB-2619-AT
EFR-262619-5	XPB-2619	XPB-2619-FL	XPB-2619-AT
EFR-312619-1	XPB-3119	XPB-3119-FL	XPB-3119-AT
EFR-312619-2	XPB-3119	XPB-3119-FL	XPB-3119-AT
EFR-312619-3	XPB-3119	XPB-3119-FL	XPB-3119-AT
EFR-312619-4	XPB-3119	XPB-3119-FL	XPB-3119-AT
EFR-312619-5	XPB-3119	XPB-3119-FL	XPB-3119-AT
EFR-263319-1	XPB-2619	XPB-2619-FL	XPB-2619-AT
EFR-263319-2	XPB-2619	XPB-2619-FL	XPB-2619-AT
EFR-263319-3	XPB-2619	XPB-2619-FL	XPB-2619-AT
EFR-263319-4	XPB-2619	XPB-2619-FL	XPB-2619-AT
EFR-263319-5	XPB-2619	XPB-2619-FL	XPB-2619-AT
EFR-313319-1	XPB-3119	XPB-3119-FL	XPB-3119-AT
EFR-313319-2	XPB-3119	XPB-3119-FL	XPB-3119-AT
EFR-313319-3	XPB-3119	XPB-3119-FL	XPB-3119-AT
EFR-313319-4	XPB-3119	XPB-3119-FL	XPB-3119-AT
EFR-313319-5	XPB-3119	XPB-3119-FL	XPB-3119-AT
EFR-263519-1	XPB-2619	XPB-2619-FL	XPB-2619-AT
EFR-263519-2	XPB-2619	XPB-2619-FL	XPB-2619-AT
EFR-263519-3	XPB-2619	XPB-2619-FL	XPB-2619-AT
EFR-263519-4	XPB-2619	XPB-2619-FL	XPB-2619-AT
EFR-263519-5	XPB-2619	XPB-2619-FL	XPB-2619-AT
EFR-313519-1	XPB-3119	XPB-3119-FL	XPB-3119-AT
EFR-313519-2	XPB-3119	XPB-3119-FL	XPB-3119-AT
EFR-313519-3	XPB-3119	XPB-3119-FL	XPB-3119-AT
EFR-313519-4	XPB-3119	XPB-3119-FL	XPB-3119-AT
EFR-313519-5	XPB-3119	XPB-3119-FL	XPB-3119-AT
EFR-264019-1	XPB-2619	XPB-2619-FL	XPB-2619-AT
EFR-264019-2	XPB-2619	XPB-2619-FL	XPB-2619-AT
EFR-264019-3	XPB-2619	XPB-2619-FL	XPB-2619-AT
EFR-264019-4	XPB-2619	XPB-2619-FL	XPB-2619-AT
EFR-264019-5	XPB-2619	XPB-2619-FL	XPB-2619-AT
EFR-314019-1	XPB-3119	XPB-3119-FL	XPB-3119-AT
EFR-314019-2	XPB-3119	XPB-3119-FL	XPB-3119-AT
EFR-314019-3	XPB-3119	XPB-3119-FL	XPB-3119-AT
EFR-314019-4	XPB-3119	XPB-3119-FL	XPB-3119-AT
EFR-314019-5	XPB-3119	XPB-3119-FL	XPB-3119-AT
EFR-264919-1	XPB-2619	XPB-2619-FL	XPB-2619-AT
EFR-264919-2	XPB-2619	XPB-2619-FL	XPB-2619-AT
EFR-264919-3	XPB-2619	XPB-2619-FL	XPB-2619-AT
EFR-264919-4	XPB-2619	XPB-2619-FL	XPB-2619-AT
EFR-264919-5	XPB-2619	XPB-2619-FL	XPB-2619-AT
EFR-314919-1	XPB-3119	XPB-3119-FL	XPB-3119-AT
EFR-314919-2	XPB-3119	XPB-3119-FL	XPB-3119-AT
EFR-314919-3	XPB-3119	XPB-3119-FL	XPB-3119-AT
EFR-314919-4	XPB-3119	XPB-3119-FL	XPB-3119-AT
EFR-314919-5	XPB-3119	XPB-3119-FL	XPB-3119-AT

EMC

19" Wide Frames (1)

Equipment Support Options

Frame	Chassis Guides [244]	Fixed Equipment Shelves [245]		Pull Out Shelves [245]		Monitor Shelves [245]	
		Solid	Perforated	Solid	Perforated	Solid	Perforated

Vertical

EMC	EFR-262619-1	XCG-26	XES-2619	XES-2619-PA	XCSQ-2619	XCSQ-2619-PA	XES-1619	XES-1619-PA
	EFR-262619-2	N/A	N/A	N/A	N/A	N/A	N/A	N/A
	EFR-262619-3	N/A	N/A	N/A	N/A	N/A	XES-1619	XES-1619-PA
	EFR-262619-4	XCG-26	XES-2619	XES-2619-PA	XCSQ-2619	XCSQ-2619-PA	XES-1619	XES-1619-PA
	EFR-262619-5	N/A	N/A	N/A	N/A	N/A	XES-1619	XES-1619-PA
	EFR-312619-1	XCG-31	XES-3119	XES-3119-PA	XCSQ-3119	XCSQ-3119-PA	XES-1619	XES-1619-PA
	EFR-312619-2	N/A	N/A	N/A	N/A	N/A	N/A	N/A
	EFR-312619-3	N/A	N/A	N/A	N/A	N/A	XES-1619	XES-1619-PA
	EFR-312619-4	XCG-31	XES-3119	XES-3119-PA	XCSQ-3119	XCSQ-3119-PA	XES-1619	XES-1619-PA
	EFR-312619-5	N/A	N/A	N/A	N/A	N/A	XES-1619	XES-1619-PA
	EFR-263319-1	XCG-26	XES-2619	XES-2619-PA	XCSQ-2619	XCSQ-2619-PA	XES-1619	XES-1619-PA
	EFR-263319-2	N/A	N/A	N/A	N/A	N/A	N/A	N/A
	EFR-263319-3	N/A	N/A	N/A	N/A	N/A	XES-1619	XES-1619-PA
	EFR-263319-4	XCG-26	XES-2619	XES-2619-PA	XCSQ-2619	XCSQ-2619-PA	XES-1619	XES-1619-PA
	EFR-263319-5	N/A	N/A	N/A	N/A	N/A	XES-1619	XES-1619-PA
	EFR-313319-1	XCG-31	XES-3119	XES-3119-PA	XCSQ-3119	XCSQ-3119-PA	XES-1619	XES-1619-PA
	EFR-313319-2	N/A	N/A	N/A	N/A	N/A	N/A	N/A
	EFR-313319-3	N/A	N/A	N/A	N/A	N/A	XES-1619	XES-1619-PA
	EFR-313319-4	XCG-31	XES-3119	XES-3119-PA	XCSQ-3119	XCSQ-3119-PA	XES-1619	XES-1619-PA
	EFR-313319-5	N/A	N/A	N/A	N/A	N/A	XES-1619	XES-1619-PA
	EFR-263519-1	XCG-26	XES-2619	XES-2619-PA	XCSQ-2619	XCSQ-2619-PA	XES-1619	XES-1619-PA
	EFR-263519-2	N/A	N/A	N/A	N/A	N/A	N/A	N/A
	EFR-263519-3	N/A	N/A	N/A	N/A	N/A	XES-1619	XES-1619-PA
	EFR-263519-4	XCG-26	XES-2619	XES-2619-PA	XCSQ-2619	XCSQ-2619-PA	XES-1619	XES-1619-PA
	EFR-263519-5	N/A	N/A	N/A	N/A	N/A	XES-1619	XES-1619-PA
	EFR-313519-1	XCG-31	XES-3119	XES-3119-PA	XCSQ-3119	XCSQ-3119-PA	XES-1619	XES-1619-PA
	EFR-313519-2	N/A	N/A	N/A	N/A	N/A	N/A	N/A
	EFR-313519-3	N/A	N/A	N/A	N/A	N/A	XES-1619	XES-1619-PA
	EFR-313519-4	XCG-31	XES-3119	XES-3119-PA	XCSQ-3119	XCSQ-3119-PA	XES-1619	XES-1619-PA
	EFR-313519-5	N/A	N/A	N/A	N/A	N/A	XES-1619	XES-1619-PA
	EFR-264019-1	XCG-26	XES-2619	XES-2619-PA	XCSQ-2619	XCSQ-2619-PA	XES-1619	XES-1619-PA
	EFR-264019-2	N/A	N/A	N/A	N/A	N/A	N/A	N/A
	EFR-264019-3	N/A	N/A	N/A	N/A	N/A	XES-1619	XES-1619-PA
	EFR-264019-4	XCG-26	XES-2619	XES-2619-PA	XCSQ-2619	XCSQ-2619-PA	XES-1619	XES-1619-PA
	EFR-264019-5	N/A	N/A	N/A	N/A	N/A	XES-1619	XES-1619-PA
	EFR-314019-1	XCG-31	XES-3119	XES-3119-PA	XCSQ-3119	XCSQ-3119-PA	XES-1619	XES-1619-PA
	EFR-314019-2	N/A	N/A	N/A	N/A	N/A	N/A	N/A
	EFR-314019-3	N/A	N/A	N/A	N/A	N/A	XES-1619	XES-1619-PA
	EFR-314019-4	XCG-31	XES-3119	XES-3119-PA	XCSQ-3119	XCSQ-3119-PA	XES-1619	XES-1619-PA
	EFR-314019-5	N/A	N/A	N/A	N/A	N/A	XES-1619	XES-1619-PA
	EFR-264919-1	XCG-26	XES-2619	XES-2619-PA	XCSQ-2619	XCSQ-2619-PA	XES-1619	XES-1619-PA
	EFR-264919-2	N/A	N/A	N/A	N/A	N/A	N/A	N/A
	EFR-264919-3	N/A	N/A	N/A	N/A	N/A	XES-1619	XES-1619-PA
	EFR-264919-4	XCG-26	XES-2619	XES-2619-PA	XCSQ-2619	XCSQ-2619-PA	XES-1619	XES-1619-PA
	EFR-264919-5	N/A	N/A	N/A	N/A	N/A	XES-1619	XES-1619-PA
	EFR-314919-1	XCG-31	XES-3119	XES-3119-PA	XCSQ-3119	XCSQ-3119-PA	XES-1619	XES-1619-PA
	EFR-314919-2	N/A	N/A	N/A	N/A	N/A	N/A	N/A
	EFR-314919-3	N/A	N/A	N/A	N/A	N/A	XES-1619	XES-1619-PA
	EFR-314919-4	XCG-31	XES-3119	XES-3119-PA	XCSQ-3119	XCSQ-3119-PA	XES-1619	XES-1619-PA
	EFR-314919-5	N/A	N/A	N/A	N/A	N/A	XES-1619	XES-1619-PA

19" Wide Frames (1)

Equipment Support Options

Frame	Retractable Keyboard Trays [244]		Work Surface Drawers [246]	Equipment Drawers [246]	
	Tray	Access Panel		Non-Locking	Locking
				(1) Block Indicate: 3 - 3.50" Drawer Front -LK option N/A for 3.5" 5 - 5.25" Drawer Front 7 - 7.00" Drawer Front 8 - 8.75" Drawer Front 10 - 10.5" Drawer Front 14 - 14.0" Drawer Front	

Vertical

EFR-262619-1	RKT-0319-S	KTAP-0319	XRSQ-2619	XDRQ-26(1)19	XDRQ-26(1)19-LK
EFR-262619-2	N/A	N/A	N/A	N/A	N/A
EFR-262619-3	N/A	N/A	N/A	N/A	N/A
EFR-262619-4	RKT-0319-S	KTAP-0319	XRSQ-2619	XDRQ-26□19	XDRQ-26(1)19-LK
EFR-262619-5	N/A	N/A	N/A	N/A	N/A
EFR-312619-1	RKT-0319-S	KTAP-0319	XRSQ-3119	XDRQ-31(1)19	XDRQ-31(1)19-LK
EFR-312619-2	N/A	N/A	N/A	N/A	N/A
EFR-312619-3	N/A	N/A	N/A	N/A	N/A
EFR-312619-4	RKT-0319-S	KTAP-0319	XRSQ-3119	XDRQ-31(1)19	XDRQ-31(1)19-LK
EFR-312619-5	N/A	N/A	N/A	N/A	N/A
EFR-263319-1	RKT-0319-S	KTAP-0319	XRSQ-2619	XDRQ-26(1)19	XDRQ-26(1)19-LK
EFR-263319-2	N/A	N/A	N/A	N/A	N/A
EFR-263319-3	N/A	N/A	N/A	N/A	N/A
EFR-263319-4	RKT-0319-S	KTAP-0319	XRSQ-2619	XDRQ-26(1)19	XDRQ-26(1)19-LK
EFR-263319-5	N/A	N/A	N/A	N/A	N/A
EFR-313319-1	RKT-0319-S	KTAP-0319	XRSQ-3119	XDRQ-31(1)19	XDRQ-31(1)19-LK
EFR-313319-2	N/A	N/A	N/A	N/A	N/A
EFR-313319-3	N/A	N/A	N/A	N/A	N/A
EFR-313319-4	RKT-0319-S	KTAP-0319	XRSQ-3119	XDRQ-31(1)19	XDRQ-31(1)19-LK
EFR-313319-5	N/A	N/A	N/A	N/A	N/A
EFR-263519-1	RKT-0319-S	KTAP-0319	XRSQ-2619	XDRQ-26(1)19	XDRQ-26(1)19-LK
EFR-263519-2	N/A	N/A	N/A	N/A	N/A
EFR-263519-3	N/A	N/A	N/A	N/A	N/A
EFR-263519-4	RKT-0319-S	KTAP-0319	XRSQ-2619	XDRQ-26□19	XDRQ-26(1)19-LK
EFR-263519-5	N/A	N/A	N/A	N/A	N/A
EFR-313519-1	RKT-0319-S	KTAP-0319	XRSQ-3119	XDRQ-31(1)19	XDRQ-31(1)19-LK
EFR-313519-2	N/A	N/A	N/A	N/A	N/A
EFR-313519-3	N/A	N/A	N/A	N/A	N/A
EFR-313519-4	RKT-0319-S	KTAP-0319	XRSQ-3119	XDRQ-31(1)19	XDRQ-31(1)19-LK
EFR-313519-5	N/A	N/A	N/A	N/A	N/A
EFR-264019-1	RKT-0319-S	KTAP-0319	XRSQ-2619	XDRQ-26(1)19	XDRQ-26(1)19-LK
EFR-264019-2	N/A	N/A	N/A	N/A	N/A
EFR-264019-3	N/A	N/A	N/A	N/A	N/A
EFR-264019-4	RKT-0319-S	KTAP-0319	XRSQ-2619	XDRQ-26(1)19	XDRQ-26(1)19-LK
EFR-264019-5	N/A	N/A	N/A	N/A	N/A
EFR-314019-1	RKT-0319-S	KTAP-0319	XRSQ-3119	XDRQ-31(1)19	XDRQ-31(1)19-LK
EFR-314019-2	N/A	N/A	N/A	N/A	N/A
EFR-314019-3	N/A	N/A	N/A	N/A	N/A
EFR-314019-4	RKT-0319-S	KTAP-0319	XRSQ-3119	XDRQ-31(1)19	XDRQ-31(1)19-LK
EFR-314019-5	N/A	N/A	N/A	N/A	N/A
EFR-264919-1	RKT-0319-S	KTAP-0319	XRSQ-2619	XDRQ-26(1)19	XDRQ-26(1)19-LK
EFR-264919-2	N/A	N/A	N/A	N/A	N/A
EFR-264919-3	N/A	N/A	N/A	N/A	N/A
EFR-264919-4	RKT-0319-S	KTAP-0319	XRSQ-2619	XDRQ-26(1)19	XDRQ-26(1)19-LK
EFR-264919-5	N/A	N/A	N/A	N/A	N/A
EFR-314919-1	RKT-0319-S	KTAP-0319	XRSQ-3119	XDRQ-31(1)19	XDRQ-31(1)19-LK
EFR-314919-2	N/A	N/A	N/A	N/A	N/A
EFR-314919-3	N/A	N/A	N/A	N/A	N/A
EFR-314919-4	RKT-0319-S	KTAP-0319	XRSQ-3119	XDRQ-31(1)19	XDRQ-31(1)19-LK
EFR-314919-5	N/A	N/A	N/A	N/A	N/A

EMC

19" Wide Frames (2)

Mounting Angle Options

Frame	Panel Mounting Angles [240]					
	Thru-Hole		Tapped 1 Face		Tapped 2 Face	
	Front (pr)	Rear (pr)	Front (pr)	Rear (pr)	Front (pr)	Rear (pr)
	Supplied with frame					
Vertical						
EFR-265219-1	XMA-52	XMA-52	XMA-52-T	XMA-52-T	XMA-52-T2	XMA-52-T2
EFR-265219-2	fixed	fixed	N/A	N/A	N/A	N/A
EFR-265219-3	fixed	XMA-52	N/A	XMA-52-T	N/A	XMA-52-T2
EFR-265219-4	XMA-42	XMA-52	XMA-42-T	XMA-52-T	XMA-42-T2	XMA-52-T2
EFR-265219-5	XMA-42	fixed	XMA-42-T	N/A	XMA-42-T2	N/A
EFR-315219-1	XMA-52	XMA-52	XMA-52-T	XMA-52-T	XMA-52-T2	XMA-52-T2
EFR-315219-2	fixed	fixed	N/A	N/A	N/A	N/A
EFR-315219-3	fixed	XMA-52	N/A	XMA-52-T	N/A	XMA-52-T2
EFR-315219-4	XMA-42	XMA-52	XMA-42-T	XMA-52-T	XMA-42-T2	XMA-52-T2
EFR-315219-5	XMA-42	fixed	XMA-42-T	N/A	XMA-42-T2	N/A
EFR-266119-1	XMA-61	XMA-61	XMA-61-T	XMA-61-T	XMA-61-T2	XMA-61-T2
EFR-266119-2	fixed	fixed	N/A	N/A	N/A	N/A
EFR-266119-3	fixed	XMA-61	N/A	XMA-61-T	N/A	XMA-61-T2
EFR-266119-4	XMA-50	XMA-61	XMA-50-T	XMA-61-T	XMA-50-T2	XMA-61-T2
EFR-266119-5	XMA-50	fixed	XMA-50-T	N/A	XMA-50-T2	N/A
EFR-316119-1	XMA-61	XMA-61	XMA-61-T	XMA-61-T	XMA-61-T2	XMA-61-T2
EFR-316119-2	fixed	fixed	N/A	N/A	N/A	N/A
EFR-316119-3	fixed	XMA-61	N/A	XMA-61-T	N/A	XMA-61-T2
EFR-316119-4	XMA-50	XMA-61	XMA-50-T	XMA-61-T	XMA-50-T2	XMA-61-T2
EFR-316119-5	XMA-50	fixed	XMA-50-T	N/A	XMA-50-T2	N/A
EFR-266319-1	XMA-63	XMA-63	XMA-63-T	XMA-63-T	XMA-63-T2	XMA-63-T2
EFR-266319-2	fixed	fixed	N/A	N/A	N/A	N/A
EFR-266319-3	fixed	XMA-63	N/A	XMA-63-T	N/A	XMA-63-T2
EFR-266319-4	XMA-52	XMA-63	XMA-52-T	XMA-63-T	XMA-52-T2	XMA-63-T2
EFR-266319-5	XMA-52	fixed	XMA-52-T	N/A	XMA-52-T2	N/A
EFR-316319-1	XMA-63	XMA-63	XMA-63-T	XMA-63-T	XMA-63-T2	XMA-63-T2
EFR-316319-2	fixed	fixed	N/A	N/A	N/A	N/A
EFR-316319-3	fixed	XMA-63	N/A	XMA-63-T	N/A	XMA-63-T2
EFR-316319-4	XMA-52	XMA-63	XMA-52-T	XMA-63-T	XMA-52-T2	XMA-63-T2
EFR-316319-5	XMA-52	fixed	XMA-52-T	N/A	XMA-52-T2	N/A
EFR-267019-1	XMA-70	XMA-70	XMA-70-T	XMA-70-T	XMA-70-T2	XMA-70-T2
EFR-267019-2	fixed	fixed	N/A	N/A	N/A	N/A
EFR-267019-3	fixed	XMA-70	N/A	XMA-70-T	N/A	XMA-70-T2
EFR-267019-4	XMA-61	XMA-70	XMA-61-T	XMA-70-T	XMA-61-T2	XMA-70-T2
EFR-267019-5	XMA-61	fixed	XMA-61-T	N/A	XMA-61-T2	N/A
EFR-317019-1	XMA-70	XMA-70	XMA-70-T	XMA-70-T	XMA-70-T2	XMA-70-T2
EFR-317019-2	fixed	fixed	N/A	N/A	N/A	N/A
EFR-317019-3	fixed	XMA-70	N/A	XMA-70-T	N/A	XMA-70-T2
EFR-317019-4	XMA-61	XMA-70	XMA-61-T	XMA-70-T	XMA-61-T2	XMA-70-T2
EFR-317019-5	XMA-61	fixed	XMA-61-T	N/A	XMA-61-T2	N/A
EFR-267819-1	XMA-78	XMA-78	XMA-78-T	XMA-78-T	XMA-78-T2	XMA-78-T2
EFR-267819-2	fixed	fixed	N/A	N/A	N/A	N/A
EFR-267819-3	fixed	XMA-78	N/A	XMA-78-T	N/A	XMA-78-T2
EFR-267819-4	XMA-68	XMA-78	XMA-68-T	XMA-78-T	XMA-68-T2	XMA-78-T2
EFR-267819-5	XMA-68	fixed	XMA-68-T	N/A	XMA-68-T2	N/A
EFR-317819-1	XMA-78	XMA-78	XMA-78-T	XMA-78-T	XMA-78-T2	XMA-78-T2
EFR-317819-2	fixed	fixed	N/A	N/A	N/A	N/A
EFR-317819-3	fixed	XMA-78	N/A	XMA-78-T	N/A	XMA-78-T2
EFR-317819-4	XMA-68	XMA-78	XMA-68-T	XMA-78-T	XMA-68-T2	XMA-78-T2
EFR-317819-5	XMA-68	fixed	XMA-68-T	N/A	XMA-68-T2	N/A

EMC

19" Wide Frames (2)

Side, Top, & Bottom Options

Frame	Side Panels [241]		Top Panels [242]		Bottom Panels [242]
	Inside Removable Solid		Solid	Perforated	Solid
	Left	Right			

Vertical					
EFR-265219-1	ESPI-2652	ESPI-2652	ETP-2219	ETP-2219-PA	EBP-2619
EFR-265219-2	ESPI-2652	ESPI-2652	ETP-2219	ETP-2219-PA	EBP-2619
EFR-265219-3	ESPI-2652	ESPI-2652	ETP-2219	ETP-2219-PA	EBP-2619
EFR-265219-4	ESPI-2652	ESPI-2652	ETP-2219	ETP-2219-PA	EBP-2619
EFR-265219-5	ESPI-2652	ESPI-2652	ETP-2219	ETP-2219-PA	EBP-2619
EFR-315219-1	ESPI-3152	ESPI-3152	ETP-2819	ETP-2819-PA	EBP-3119
EFR-315219-2	ESPI-3152	ESPI-3152	ETP-2819	ETP-2819-PA	EBP-3119
EFR-315219-3	ESPI-3152	ESPI-3152	ETP-2819	ETP-2819-PA	EBP-3119
EFR-315219-4	ESPI-3152	ESPI-3152	ETP-2819	ETP-2819-PA	EBP-3119
EFR-315219-5	ESPI-3152	ESPI-3152	ETP-2819	ETP-2819-PA	EBP-3119
EFR-266119-1	ESPI-2661	ESPI-2661	ETP-2219	ETP-2219-PA	EBP-2619
EFR-266119-2	ESPI-2661	ESPI-2661	ETP-2219	ETP-2219-PA	EBP-2619
EFR-266119-3	ESPI-2661	ESPI-2661	ETP-2219	ETP-2219-PA	EBP-2619
EFR-266119-4	ESPI-2661	ESPI-2661	ETP-2219	ETP-2219-PA	EBP-2619
EFR-266119-5	ESPI-2661	ESPI-2661	ETP-2219	ETP-2219-PA	EBP-2619
EFR-316119-1	ESPI-3161	ESPI-3161	ETP-2819	ETP-2819-PA	EBP-3119
EFR-316119-2	ESPI-3161	ESPI-3161	ETP-2819	ETP-2819-PA	EBP-3119
EFR-316119-3	ESPI-3161	ESPI-3161	ETP-2819	ETP-2819-PA	EBP-3119
EFR-316119-4	ESPI-3161	ESPI-3161	ETP-2819	ETP-2819-PA	EBP-3119
EFR-316119-5	ESPI-3161	ESPI-3161	ETP-2819	ETP-2819-PA	EBP-3119
EFR-266319-1	ESPI-2663	ESPI-2663	ETP-2219	ETP-2219-PA	EBP-2619
EFR-266319-2	ESPI-2663	ESPI-2663	ETP-2219	ETP-2219-PA	EBP-2619
EFR-266319-3	ESPI-2663	ESPI-2663	ETP-2219	ETP-2219-PA	EBP-2619
EFR-266319-4	ESPI-2663	ESPI-2663	ETP-2219	ETP-2219-PA	EBP-2619
EFR-266319-5	ESPI-2663	ESPI-2663	ETP-2219	ETP-2219-PA	EBP-2619
EFR-316319-1	ESPI-3163	ESPI-3163	ETP-2819	ETP-2819-PA	EBP-3119
EFR-316319-2	ESPI-3163	ESPI-3163	ETP-2819	ETP-2819-PA	EBP-3119
EFR-316319-3	ESPI-3163	ESPI-3163	ETP-2819	ETP-2819-PA	EBP-3119
EFR-316319-4	ESPI-3163	ESPI-3163	ETP-2819	ETP-2819-PA	EBP-3119
EFR-316319-5	ESPI-3163	ESPI-3163	ETP-2819	ETP-2819-PA	EBP-3119
EFR-267019-1	ESPI-2670	ESPI-2670	ETP-2219	ETP-2219-PA	EBP-2619
EFR-267019-2	ESPI-2670	ESPI-2670	ETP-2219	ETP-2219-PA	EBP-2619
EFR-267019-3	ESPI-2670	ESPI-2670	ETP-2219	ETP-2219-PA	EBP-2619
EFR-267019-4	ESPI-2670	ESPI-2670	ETP-2219	ETP-2219-PA	EBP-2619
EFR-267019-5	ESPI-2670	ESPI-2670	ETP-2219	ETP-2219-PA	EBP-2619
EFR-317019-1	ESPI-3170	ESPI-3170	ETP-2819	ETP-2819-PA	EBP-3119
EFR-317019-2	ESPI-3170	ESPI-3170	ETP-2819	ETP-2819-PA	EBP-3119
EFR-317019-3	ESPI-3170	ESPI-3170	ETP-2819	ETP-2819-PA	EBP-3119
EFR-317019-4	ESPI-3170	ESPI-3170	ETP-2819	ETP-2819-PA	EBP-3119
EFR-317019-5	ESPI-3170	ESPI-3170	ETP-2819	ETP-2819-PA	EBP-3119
EFR-267819-1	ESPI-2678	ESPI-2678	ETP-2219	ETP-2219-PA	EBP-2619
EFR-267819-2	ESPI-2678	ESPI-2678	ETP-2219	ETP-2219-PA	EBP-2619
EFR-267819-3	ESPI-2678	ESPI-2678	ETP-2219	ETP-2219-PA	EBP-2619
EFR-267819-4	ESPI-2678	ESPI-2678	ETP-2219	ETP-2219-PA	EBP-2619
EFR-267819-5	ESPI-2678	ESPI-2678	ETP-2219	ETP-2219-PA	EBP-2619
EFR-317819-1	ESPI-3178	ESPI-3178	ETP-2819	ETP-2819-PA	EBP-3119
EFR-317819-2	ESPI-3178	ESPI-3178	ETP-2819	ETP-2819-PA	EBP-3119
EFR-317819-3	ESPI-3178	ESPI-3178	ETP-2819	ETP-2819-PA	EBP-3119
EFR-317819-4	ESPI-3178	ESPI-3178	ETP-2819	ETP-2819-PA	EBP-3119
EFR-317819-5	ESPI-3178	ESPI-3178	ETP-2819	ETP-2819-PA	EBP-3119

EMC

19" Wide Frames (2)

Front & Rear Options

Frame	Closure Panels [249]			Doors [243]	
	Solid Closure Panel			Door	
	Front	Rear	Slope	Front	Rear

(1) Block Indicate:

LH - Left Hinge
RH - Right Hinge

Vertical

EFR-265219-1	N/A	N/A	N/A	EDS-5219-(1)	EDS-5219-(1)
EFR-265219-2	EPN-5219	EPN-5219	N/A	N/A	N/A
EFR-265219-3	EPN-5219	N/A	N/A	N/A	EDS-5219-(1)
EFR-265219-4	N/A	N/A	N/A	EDS-4219-(1)	EDS-5219-(1)
EFR-265219-5	N/A	EPN-5219	N/A	EDS-4219-(1)	N/A
EFR-315219-1	N/A	N/A	N/A	EDS-5219-(1)	EDS-5219-(1)
EFR-315219-2	EPN-5219	EPN-5219	N/A	N/A	N/A
EFR-315219-3	EPN-5219	N/A	N/A	N/A	EDS-5219-(1)
EFR-315219-4	N/A	N/A	N/A	EDS-4219-(1)	EDS-5219-(1)
EFR-315219-5	N/A	EPN-5219	N/A	EDS-4219-(1)	N/A
EFR-266119-1	N/A	N/A	N/A	EDS-6119-(1)	EDS-6119-(1)
EFR-266119-2	EPN-6119	EPN-6119	N/A	N/A	N/A
EFR-266119-3	EPN-6119	N/A	N/A	N/A	EDS-6119-(1)
EFR-266119-4	N/A	N/A	N/A	EDS-5119-(1)	EDS-6119-(1)
EFR-266119-5	N/A	EPN-6119	N/A	EDS-5119-(1)	N/A
EFR-316119-1	N/A	N/A	N/A	EDS-6119-(1)	EDS-6119-(1)
EFR-316119-2	EPN-6119	EPN-6119	N/A	N/A	N/A
EFR-316119-3	EPN-6119	N/A	N/A	N/A	EDS-6119-(1)
EFR-316119-4	N/A	N/A	N/A	EDS-5119-(1)	EDS-6119-(1)
EFR-316119-5	N/A	EPN-6119	N/A	EDS-5119-(1)	N/A
EFR-266319-1	N/A	N/A	N/A	EDS-6319-(1)	EDS-6319-(1)
EFR-266319-2	EPN-6319	EPN-6319	N/A	N/A	N/A
EFR-266319-3	EPN-6319	N/A	N/A	N/A	EDS-6319-(1)
EFR-266319-4	N/A	N/A	N/A	EDS-5319-(1)	EDS-6319-(1)
EFR-266319-5	N/A	EPN-6319	N/A	EDS-5319-(1)	N/A
EFR-316319-1	N/A	N/A	N/A	EDS-6319-(1)	EDS-6319-(1)
EFR-316319-2	EPN-6319	EPN-6319	N/A	N/A	N/A
EFR-316319-3	EPN-6319	N/A	N/A	N/A	EDS-6319-(1)
EFR-316319-4	N/A	N/A	N/A	EDS-5319-(1)	EDS-6319-(1)
EFR-316319-5	N/A	EPN-6319	N/A	EDS-5319-(1)	N/A
EFR-267019-1	N/A	N/A	N/A	EDS-7019-(1)	EDS-7019-(1)
EFR-267019-2	EPN-7019	EPN-7019	N/A	N/A	N/A
EFR-267019-3	EPN-7019	N/A	N/A	N/A	EDS-7019-(1)
EFR-267019-4	N/A	N/A	N/A	EDS-6019-(1)	EDS-7019-(1)
EFR-267019-5	N/A	EPN-7019	N/A	EDS-6019-(1)	N/A
EFR-317019-1	N/A	N/A	N/A	EDS-7019-(1)	EDS-7019-(1)
EFR-317019-2	EPN-7019	EPN-7019	N/A	N/A	N/A
EFR-317019-3	EPN-7019	N/A	N/A	N/A	EDS-7019-(1)
EFR-317019-4	N/A	N/A	N/A	EDS-6019-(1)	EDS-7019-(1)
EFR-317019-5	N/A	EPN-7019	N/A	EDS-6019-(1)	N/A
EFR-267819-1	N/A	N/A	N/A	EDS-7819-(1)	EDS-7819-(1)
EFR-267819-2	EPN-7819	EPN-7819	N/A	N/A	N/A
EFR-267819-3	EPN-7819	N/A	N/A	N/A	EDS-7819-(1)
EFR-267819-4	N/A	N/A	N/A	EDS-6819-(1)	EDS-7819-(1)
EFR-267819-5	N/A	EPN-7819	N/A	EDS-6819-(1)	N/A
EFR-317819-1	N/A	N/A	N/A	EDS-7819-(1)	EDS-7819-(1)
EFR-317819-2	EPN-7819	EPN-7819	N/A	N/A	N/A
EFR-317819-3	EPN-7819	N/A	N/A	N/A	EDS-7819-(1)
EFR-317819-4	N/A	N/A	N/A	EDS-6819-(1)	EDS-7819-(1)
EFR-317819-5	N/A	EPN-7819	N/A	EDS-6819-(1)	N/A

EMC

19" Wide Frames (2)

Access Area Options

Frame	Closure Panels [249]		Blowers [248]	
	Closure Panel	Blower Panel	Blower	
			300 CFM	350 CFM
		This panel must be ordered in conjunction with a blower option.	Remember to order a blower panel.	Remember to order a blower panel.

Vertical

EFR-265219-1	N/A	N/A	N/A	N/A
EFR-265219-2	N/A	N/A	N/A	N/A
EFR-265219-3	N/A	N/A	N/A	N/A
EFR-265219-4	EPN-0819	EPN-0819-BP	BL-300EG	BL-350EG
EFR-265219-5	EPN-0819	EPN-0819-BP	BL-300EG	BL-350EG
EFR-315219-1	N/A	N/A	N/A	N/A
EFR-315219-2	N/A	N/A	N/A	N/A
EFR-315219-3	N/A	N/A	N/A	N/A
EFR-315219-4	EPN-0819	EPN-0819-BP	BL-300EG	BL-350EG
EFR-315219-5	EPN-0819	EPN-0819-BP	BL-300EG	BL-350EG
EFR-266119-1	N/A	N/A	N/A	N/A
EFR-266119-2	N/A	N/A	N/A	N/A
EFR-266119-3	N/A	N/A	N/A	N/A
EFR-266119-4	EPN-0819	EPN-0819-BP	BL-300EG	BL-350EG
EFR-266119-5	EPN-0819	EPN-0819-BP	BL-300EG	BL-350EG
EFR-316119-1	N/A	N/A	N/A	N/A
EFR-316119-2	N/A	N/A	N/A	N/A
EFR-316119-3	N/A	N/A	N/A	N/A
EFR-316119-4	EPN-0819	EPN-0819-BP	BL-300EG	BL-350EG
EFR-316119-5	EPN-0819	EPN-0819-BP	BL-300EG	BL-350EG
EFR-266319-1	N/A	N/A	N/A	N/A
EFR-266319-2	N/A	N/A	N/A	N/A
EFR-266319-3	N/A	N/A	N/A	N/A
EFR-266319-4	EPN-0819	EPN-0819-BP	BL-300EG	BL-350EG
EFR-266319-5	EPN-0819	EPN-0819-BP	BL-300EG	BL-350EG
EFR-316319-1	N/A	N/A	N/A	N/A
EFR-316319-2	N/A	N/A	N/A	N/A
EFR-316319-3	N/A	N/A	N/A	N/A
EFR-316319-4	EPN-0819	EPN-0819-BP	BL-300EG	BL-350EG
EFR-316319-5	EPN-0819	EPN-0819-BP	BL-300EG	BL-350EG
EFR-267019-1	N/A	N/A	N/A	N/A
EFR-267019-2	N/A	N/A	N/A	N/A
EFR-267019-3	N/A	N/A	N/A	N/A
EFR-267019-4	EPN-0819	EPN-0819-BP	BL-300EG	BL-350EG
EFR-267019-5	EPN-0819	EPN-0819-BP	BL-300EG	BL-350EG
EFR-317019-1	N/A	N/A	N/A	N/A
EFR-317019-2	N/A	N/A	N/A	N/A
EFR-317019-3	N/A	N/A	N/A	N/A
EFR-317019-4	EPN-0819	EPN-0819-BP	BL-300EG	BL-350EG
EFR-317019-5	EPN-0819	EPN-0819-BP	BL-300EG	BL-350EG
EFR-267819-1	N/A	N/A	N/A	N/A
EFR-267819-2	N/A	N/A	N/A	N/A
EFR-267819-3	N/A	N/A	N/A	N/A
EFR-267819-4	EPN-0819	EPN-0819-BP	BL-300EG	BL-350EG
EFR-267819-5	EPN-0819	EPN-0819-BP	BL-300EG	BL-350EG
EFR-317819-1	N/A	N/A	N/A	N/A
EFR-317819-2	N/A	N/A	N/A	N/A
EFR-317819-3	N/A	N/A	N/A	N/A
EFR-317819-4	EPN-0819	EPN-0819-BP	BL-300EG	BL-350EG
EFR-317819-5	EPN-0819	EPN-0819-BP	BL-300EG	BL-350EG

EMC

19" Wide Frames (2)

Base Options

Frame	Additional Base Options [251]		
	Pontoon Base	Fork Lift Base	Anti Tip Base

Vertical

EFR-265219-1	XPB-2619	XPB-2619-FL	XPB-2619-AT
EFR-265219-2	XPB-2619	XPB-2619-FL	XPB-2619-AT
EFR-265219-3	XPB-2619	XPB-2619-FL	XPB-2619-AT
EFR-265219-4	XPB-2619	XPB-2619-FL	XPB-2619-AT
EFR-265219-5	XPB-2619	XPB-2619-FL	XPB-2619-AT
EFR-315219-1	XPB-3119	XPB-3119-FL	XPB-3119-AT
EFR-315219-2	XPB-3119	XPB-3119-FL	XPB-3119-AT
EFR-315219-3	XPB-3119	XPB-3119-FL	XPB-3119-AT
EFR-315219-4	XPB-3119	XPB-3119-FL	XPB-3119-AT
EFR-315219-5	XPB-3119	XPB-3119-FL	XPB-3119-AT
EFR-266119-1	XPB-2619	XPB-2619-FL	XPB-2619-AT
EFR-266119-2	XPB-2619	XPB-2619-FL	XPB-2619-AT
EFR-266119-3	XPB-2619	XPB-2619-FL	XPB-2619-AT
EFR-266119-4	XPB-2619	XPB-2619-FL	XPB-2619-AT
EFR-266119-5	XPB-2619	XPB-2619-FL	XPB-2619-AT
EFR-316119-1	XPB-3119	XPB-3119-FL	XPB-3119-AT
EFR-316119-2	XPB-3119	XPB-3119-FL	XPB-3119-AT
EFR-316119-3	XPB-3119	XPB-3119-FL	XPB-3119-AT
EFR-316119-4	XPB-3119	XPB-3119-FL	XPB-3119-AT
EFR-316119-5	XPB-3119	XPB-3119-FL	XPB-3119-AT
EFR-266319-1	XPB-2619	XPB-2619-FL	XPB-2619-AT
EFR-266319-2	XPB-2619	XPB-2619-FL	XPB-2619-AT
EFR-266319-3	XPB-2619	XPB-2619-FL	XPB-2619-AT
EFR-266319-4	XPB-2619	XPB-2619-FL	XPB-2619-AT
EFR-266319-5	XPB-2619	XPB-2619-FL	XPB-2619-AT
EFR-316319-1	XPB-3119	XPB-3119-FL	XPB-3119-AT
EFR-316319-2	XPB-3119	XPB-3119-FL	XPB-3119-AT
EFR-316319-3	XPB-3119	XPB-3119-FL	XPB-3119-AT
EFR-316319-4	XPB-3119	XPB-3119-FL	XPB-3119-AT
EFR-316319-5	XPB-3119	XPB-3119-FL	XPB-3119-AT
EFR-267019-1	XPB-2619	XPB-2619-FL	XPB-2619-AT
EFR-267019-2	XPB-2619	XPB-2619-FL	XPB-2619-AT
EFR-267019-3	XPB-2619	XPB-2619-FL	XPB-2619-AT
EFR-267019-4	XPB-2619	XPB-2619-FL	XPB-2619-AT
EFR-267019-5	XPB-2619	XPB-2619-FL	XPB-2619-AT
EFR-317019-1	XPB-3119	XPB-3119-FL	XPB-3119-AT
EFR-317019-2	XPB-3119	XPB-3119-FL	XPB-3119-AT
EFR-317019-3	XPB-3119	XPB-3119-FL	XPB-3119-AT
EFR-317019-4	XPB-3119	XPB-3119-FL	XPB-3119-AT
EFR-317019-5	XPB-3119	XPB-3119-FL	XPB-3119-AT
EFR-267819-1	XPB-2619	XPB-2619-FL	XPB-2619-AT
EFR-267819-2	XPB-2619	XPB-2619-FL	XPB-2619-AT
EFR-267819-3	XPB-2619	XPB-2619-FL	XPB-2619-AT
EFR-267819-4	XPB-2619	XPB-2619-FL	XPB-2619-AT
EFR-267819-5	XPB-2619	XPB-2619-FL	XPB-2619-AT
EFR-317819-1	XPB-3119	XPB-3119-FL	XPB-3119-AT
EFR-317819-2	XPB-3119	XPB-3119-FL	XPB-3119-AT
EFR-317819-3	XPB-3119	XPB-3119-FL	XPB-3119-AT
EFR-317819-4	XPB-3119	XPB-3119-FL	XPB-3119-AT
EFR-317819-5	XPB-3119	XPB-3119-FL	XPB-3119-AT

EMC

19" Wide Frames (2)

Equipment Support Options

Frame	Chassis Guides [244]	Fixed Equipment Shelves [245]		Pull Out Shelves [245]		Monitor Shelves [245]	
		Solid	Perforated	Solid	Perforated	Solid	Perforated

Vertical

EFR-265219-1	XCG-26	XES-2619	XES-2619-PA	XCSQ-2619	XCSQ-2619-PA	XES-1619	XES-1619-PA
EFR-265219-2	N/A	N/A	N/A	N/A	N/A	N/A	N/A
EFR-265219-3	N/A	N/A	N/A	N/A	N/A	XES-1619	XES-1619-PA
EFR-265219-4	XCG-26	XES-2619	XES-2619-PA	XCSQ-2619	XCSQ-2619-PA	XES-1619	XES-1619-PA
EFR-265219-5	N/A	N/A	N/A	N/A	N/A	XES-1619	XES-1619-PA
EFR-315219-1	XCG-31	XES-3119	XES-3119-PA	XCSQ-3119	XCSQ-3119-PA	XES-1619	XES-1619-PA
EFR-315219-2	N/A	N/A	N/A	N/A	N/A	N/A	N/A
EFR-315219-3	N/A	N/A	N/A	N/A	N/A	XES-1619	XES-1619-PA
EFR-315219-4	XCG-31	XES-3119	XES-3119-PA	XCSQ-3119	XCSQ-3119-PA	XES-1619	XES-1619-PA
EFR-315219-5	N/A	N/A	N/A	N/A	N/A	XES-1619	XES-1619-PA
EFR-266119-1	XCG-26	XES-2619	XES-2619-PA	XCSQ-2619	XCSQ-2619-PA	XES-1619	XES-1619-PA
EFR-266119-2	N/A	N/A	N/A	N/A	N/A	N/A	N/A
EFR-266119-3	N/A	N/A	N/A	N/A	N/A	XES-1619	XES-1619-PA
EFR-266119-4	XCG-26	XES-2619	XES-2619-PA	XCSQ-2619	XCSQ-2619-PA	XES-1619	XES-1619-PA
EFR-266119-5	N/A	N/A	N/A	N/A	N/A	XES-1619	XES-1619-PA
EFR-316119-1	XCG-31	XES-3119	XES-3119-PA	XCSQ-3119	XCSQ-3119-PA	XES-1619	XES-1619-PA
EFR-316119-2	N/A	N/A	N/A	N/A	N/A	N/A	N/A
EFR-316119-3	N/A	N/A	N/A	N/A	N/A	XES-1619	XES-1619-PA
EFR-316119-4	XCG-31	XES-3119	XES-3119-PA	XCSQ-3119	XCSQ-3119-PA	XES-1619	XES-1619-PA
EFR-316119-5	N/A	N/A	N/A	N/A	N/A	XES-1619	XES-1619-PA
EFR-266319-1	XCG-26	XES-2619	XES-2619-PA	XCSQ-2619	XCSQ-2619-PA	XES-1619	XES-1619-PA
EFR-266319-2	N/A	N/A	N/A	N/A	N/A	N/A	N/A
EFR-266319-3	N/A	N/A	N/A	N/A	N/A	XES-1619	XES-1619-PA
EFR-266319-4	XCG-26	XES-2619	XES-2619-PA	XCSQ-2619	XCSQ-2619-PA	XES-1619	XES-1619-PA
EFR-266319-5	N/A	N/A	N/A	N/A	N/A	XES-1619	XES-1619-PA
EFR-316319-1	XCG-31	XES-3119	XES-3119-PA	XCSQ-3119	XCSQ-3119-PA	XES-1619	XES-1619-PA
EFR-316319-2	N/A	N/A	N/A	N/A	N/A	N/A	N/A
EFR-316319-3	N/A	N/A	N/A	N/A	N/A	XES-1619	XES-1619-PA
EFR-316319-4	XCG-31	XES-3119	XES-3119-PA	XCSQ-3119	XCSQ-3119-PA	XES-1619	XES-1619-PA
EFR-316319-5	N/A	N/A	N/A	N/A	N/A	XES-1619	XES-1619-PA
EFR-267019-1	XCG-26	XES-2619	XES-2619-PA	XCSQ-2619	XCSQ-2619-PA	XES-1619	XES-1619-PA
EFR-267019-2	N/A	N/A	N/A	N/A	N/A	N/A	N/A
EFR-267019-3	N/A	N/A	N/A	N/A	N/A	XES-1619	XES-1619-PA
EFR-267019-4	XCG-26	XES-2619	XES-2619-PA	XCSQ-2619	XCSQ-2619-PA	XES-1619	XES-1619-PA
EFR-267019-5	N/A	N/A	N/A	N/A	N/A	XES-1619	XES-1619-PA
EFR-317019-1	XCG-31	XES-3119	XES-3119-PA	XCSQ-3119	XCSQ-3119-PA	XES-1619	XES-1619-PA
EFR-317019-2	N/A	N/A	N/A	N/A	N/A	N/A	N/A
EFR-317019-3	N/A	N/A	N/A	N/A	N/A	XES-1619	XES-1619-PA
EFR-317019-4	XCG-31	XES-3119	XES-3119-PA	XCSQ-3119	XCSQ-3119-PA	XES-1619	XES-1619-PA
EFR-317019-5	N/A	N/A	N/A	N/A	N/A	XES-1619	XES-1619-PA
EFR-267819-1	XCG-26	XES-2619	XES-2619-PA	XCSQ-2619	XCSQ-2619-PA	XES-1619	XES-1619-PA
EFR-267819-2	N/A	N/A	N/A	N/A	N/A	N/A	N/A
EFR-267819-3	N/A	N/A	N/A	N/A	N/A	XES-1619	XES-1619-PA
EFR-267819-4	XCG-26	XES-2619	XES-2619-PA	XCSQ-2619	XCSQ-2619-PA	XES-1619	XES-1619-PA
EFR-267819-5	N/A	N/A	N/A	N/A	N/A	XES-1619	XES-1619-PA
EFR-317819-1	XCG-31	XES-3119	XES-3119-PA	XCSQ-3119	XCSQ-3119-PA	XES-1619	XES-1619-PA
EFR-317819-2	N/A	N/A	N/A	N/A	N/A	N/A	N/A
EFR-317819-3	N/A	N/A	N/A	N/A	N/A	XES-1619	XES-1619-PA
EFR-317819-4	XCG-31	XES-3119	XES-3119-PA	XCSQ-3119	XCSQ-3119-PA	XES-1619	XES-1619-PA
EFR-317819-5	N/A	N/A	N/A	N/A	N/A	XES-1619	XES-1619-PA

EMC

19" Wide Frames (2)

Equipment Support Options

Frame	Retractable Keyboard Trays [244]		Work Surface Drawers [246]	Equipment Drawers [246]	
	Tray	Access Panel		Non-Locking	Locking
				(1) Block Indicate: 3 - 3.50" Drawer Front -LK option N/A for 3.5" 5 - 5.25" Drawer Front 7 - 7.00" Drawer Front 8 - 8.75" Drawer Front 10 - 10.5" Drawer Front 14 - 14.0" Drawer Front	

Vertical

EFR-265219-1	RKT-0319-S	KTAP-0319	XRSQ-2619	XDRQ-26(1)19	XDRQ-26(1)19-LK
EFR-265219-2	N/A	N/A	N/A	N/A	N/A
EFR-265219-3	N/A	N/A	N/A	N/A	N/A
EFR-265219-4	RKT-0319-S	KTAP-0319	XRSQ-2619	XDRQ-26(1)19	XDRQ-26(1)19-LK
EFR-265219-5	N/A	N/A	N/A	N/A	N/A
EFR-315219-1	RKT-0319-S	KTAP-0319	XRSQ-3119	XDRQ-31(1)19	XDRQ-31(1)19-LK
EFR-315219-2	N/A	N/A	N/A	N/A	N/A
EFR-315219-3	N/A	N/A	N/A	N/A	N/A
EFR-315219-4	RKT-0319-S	KTAP-0319	XRSQ-3119	XDRQ-31(1)19	XDRQ-31(1)19-LK
EFR-315219-5	N/A	N/A	N/A	N/A	N/A
EFR-266119-1	RKT-0319-S	KTAP-0319	XRSQ-2619	XDRQ-26(1)19	XDRQ-26(1)19-LK
EFR-266119-2	N/A	N/A	N/A	N/A	N/A
EFR-266119-3	N/A	N/A	N/A	N/A	N/A
EFR-266119-4	RKT-0319-S	KTAP-0319	XRSQ-2619	XDRQ-26(1)19	XDRQ-26(1)19-LK
EFR-266119-5	N/A	N/A	N/A	N/A	N/A
EFR-316119-1	RKT-0319-S	KTAP-0319	XRSQ-3119	XDRQ-31(1)19	XDRQ-31(1)19-LK
EFR-316119-2	N/A	N/A	N/A	N/A	N/A
EFR-316119-3	N/A	N/A	N/A	N/A	N/A
EFR-316119-4	RKT-0319-S	KTAP-0319	XRSQ-3119	XDRQ-31(1)19	XDRQ-31(1)19-LK
EFR-316119-5	N/A	N/A	N/A	N/A	N/A
EFR-266319-1	RKT-0319-S	KTAP-0319	XRSQ-2619	XDRQ-26(1)19	XDRQ-26(1)19-LK
EFR-266319-2	N/A	N/A	N/A	N/A	N/A
EFR-266319-3	N/A	N/A	N/A	N/A	N/A
EFR-266319-4	RKT-0319-S	KTAP-0319	XRSQ-2619	XDRQ-26(1)19	XDRQ-26(1)19-LK
EFR-266319-5	N/A	N/A	N/A	N/A	N/A
EFR-316319-1	RKT-0319-S	KTAP-0319	XRSQ-3119	XDRQ-31(1)19	XDRQ-31(1)19-LK
EFR-316319-2	N/A	N/A	N/A	N/A	N/A
EFR-316319-3	N/A	N/A	N/A	N/A	N/A
EFR-316319-4	RKT-0319-S	KTAP-0319	XRSQ-3119	XDRQ-31(1)19	XDRQ-31(1)19-LK
EFR-316319-5	N/A	N/A	N/A	N/A	N/A
EFR-267019-1	RKT-0319-S	KTAP-0319	XRSQ-2619	XDRQ-26(1)19	XDRQ-26(1)19-LK
EFR-267019-2	N/A	N/A	N/A	N/A	N/A
EFR-267019-3	N/A	N/A	N/A	N/A	N/A
EFR-267019-4	RKT-0319-S	KTAP-0319	XRSQ-2619	XDRQ-26(1)19	XDRQ-26(1)19-LK
EFR-267019-5	N/A	N/A	N/A	N/A	N/A
EFR-317019-1	RKT-0319-S	KTAP-0319	XRSQ-3119	XDRQ-31(1)19	XDRQ-31(1)19-LK
EFR-317019-2	N/A	N/A	N/A	N/A	N/A
EFR-317019-3	N/A	N/A	N/A	N/A	N/A
EFR-317019-4	RKT-0319-S	KTAP-0319	XRSQ-3119	XDRQ-31(1)19	XDRQ-31(1)19-LK
EFR-317019-5	N/A	N/A	N/A	N/A	N/A
EFR-267819-1	RKT-0319-S	KTAP-0319	XRSQ-2619	XDRQ-26(1)19	XDRQ-26(1)19-LK
EFR-267819-2	N/A	N/A	N/A	N/A	N/A
EFR-267819-3	N/A	N/A	N/A	N/A	N/A
EFR-267819-4	RKT-0319-S	KTAP-0319	XRSQ-2619	XDRQ-26(1)19	XDRQ-26(1)19-LK
EFR-267819-5	N/A	N/A	N/A	N/A	N/A
EFR-317819-1	RKT-0319-S	KTAP-0319	XRSQ-3119	XDRQ-31(1)19	XDRQ-31(1)19-LK
EFR-317819-2	N/A	N/A	N/A	N/A	N/A
EFR-317819-3	N/A	N/A	N/A	N/A	N/A
EFR-317819-4	RKT-0319-S	KTAP-0319	XRSQ-3119	XDRQ-31(1)19	XDRQ-31(1)19-LK
EFR-317819-5	N/A	N/A	N/A	N/A	N/A

EMC

19" Wide Frames (3)

Mounting Angle Options

Frame	Panel Mounting Angles [240]					
	Thru-Hole		Tapped 1 Face		Tapped 2 Face	
	Front (pr)	Rear (pr)	Front (pr)	Rear (pr)	Front (pr)	Rear (pr)
	Supplied with frame					

Slope Front

EFRS-261719-1	XMA-26	XMA-49	XMA-26-T	XMA-49-T	XMA-26-T2	XMA-49-T2
EFRS-261719-2	fixed	fixed	N/A	N/A	N/A	N/A
EFRS-261719-3	fixed	XMA-49	XMA-26-T	XMA-49-T	XMA-26-T2	XMA-49-T2
EFRS-261719-4	XMA-26	fixed	XMA-26-T	N/A	XMA-26-T2	N/A
EFRS-261719-WT-1	XMA-24	XMA-49	XMA-24-T	XMA-49-T	XMA-24-T2	XMA-49-T2
EFRS-261719-WT-2	fixed	fixed	N/A	N/A	N/A	N/A
EFRS-261719-WT-3	fixed	XMA-49	XMA-24-T	XMA-49-T	XMA-24-T2	XMA-49-T2
EFRS-261719-WT-4	XMA-24	fixed	XMA-24-T	N/A	XMA-24-T2	N/A
EFRS-311719-1	XMA-26	XMA-49	XMA-26-T	XMA-49-T	XMA-26-T2	XMA-49-T2
EFRS-311719-2	fixed	fixed	N/A	N/A	N/A	N/A
EFRS-311719-3	fixed	XMA-49	XMA-26-T	XMA-49-T	XMA-26-T2	XMA-49-T2
EFRS-311719-4	XMA-26	fixed	XMA-26-T	N/A	XMA-26-T2	N/A
EFRS-311719-WT-1	XMA-24	XMA-49	XMA-24-T	XMA-49-T	XMA-24-T2	XMA-49-T2
EFRS-311719-WT-2	fixed	fixed	N/A	N/A	N/A	N/A
EFRS-311719-WT-3	fixed	XMA-49	XMA-24-T	XMA-49-T	XMA-24-T2	XMA-49-T2
EFRS-311719-WT-4	XMA-24	fixed	XMA-24-T	N/A	XMA-24-T2	N/A
EFRS-262119-1	XMA-26	XMA-52	XMA-26-T	XMA-52-T	XMA-26-T2	XMA-52-T2
EFRS-262119-2	fixed	fixed	N/A	N/A	N/A	N/A
EFRS-262119-3	fixed	XMA-52	XMA-26-T	XMA-52-T	XMA-26-T2	XMA-52-T2
EFRS-262119-4	XMA-26	fixed	XMA-26-T	N/A	XMA-26-T2	N/A
EFRS-262119-WT-1	XMA-24	XMA-52	XMA-24-T	XMA-52-T	XMA-24-T2	XMA-52-T2
EFRS-262119-WT-2	fixed	fixed	N/A	N/A	N/A	N/A
EFRS-262119-WT-3	fixed	XMA-52	XMA-24-T	XMA-52-T	XMA-24-T2	XMA-52-T2
EFRS-262119-WT-4	XMA-24	fixed	XMA-24-T	N/A	XMA-24-T2	N/A
EFRS-312119-1	XMA-26	XMA-52	XMA-26-T	XMA-52-T	XMA-26-T2	XMA-52-T2
EFRS-312119-2	fixed	fixed	N/A	N/A	N/A	N/A
EFRS-312119-3	fixed	XMA-52	XMA-26-T	XMA-52-T	XMA-26-T2	XMA-52-T2
EFRS-312119-4	XMA-26	fixed	XMA-26-T	N/A	XMA-26-T2	N/A
EFRS-312119-WT-1	XMA-24	XMA-52	XMA-24-T	XMA-52-T	XMA-24-T2	XMA-52-T2
EFRS-312119-WT-2	fixed	fixed	N/A	N/A	N/A	N/A
EFRS-312119-WT-3	fixed	XMA-52	XMA-24-T	XMA-52-T	XMA-24-T2	XMA-52-T2
EFRS-312119-WT-4	XMA-24	fixed	XMA-24-T	N/A	XMA-24-T2	N/A

EMC

19" Wide Frames (3)

Side, Top, & Bottom Options

Frame	Side Panels [241]		Top Panels [242]		Bottom Panels [242]
	Inside Removable Solid		Solid	Perforated	Solid
	Left	Right			

Slope Front

EFRS-261719-1	ESPI-2617	ESPI-2617	ETP-1519	ETP-1519-PA	EBP-2619
EFRS-261719-2	ESPI-2617	ESPI-2617	ETP-1519	ETP-1519-PA	EBP-2619
EFRS-261719-3	ESPI-2617	ESPI-2617	ETP-1519	ETP-1519-PA	EBP-2619
EFRS-261719-4	ESPI-2617	ESPI-2617	ETP-1519	ETP-1519-PA	EBP-2619
EFRS-261719-WT-1	ESPI-2617	ESPI-2617	ETP-1519	ETP-1519-PA	EBP-2619
EFRS-261719-WT-2	ESPI-2617	ESPI-2617	ETP-1519	ETP-1519-PA	EBP-2619
EFRS-261719-WT-3	ESPI-2617	ESPI-2617	ETP-1519	ETP-1519-PA	EBP-2619
EFRS-261719-WT-4	ESPI-2617	ESPI-2617	ETP-1519	ETP-1519-PA	EBP-2619
EFRS-311719-1	ESPI-3117	ESPI-3117	ETP-2119	ETP-2119-PA	EBP-3119
EFRS-311719-2	ESPI-3117	ESPI-3117	ETP-2119	ETP-2119-PA	EBP-3119
EFRS-311719-3	ESPI-3117	ESPI-3117	ETP-2119	ETP-2119-PA	EBP-3119
EFRS-311719-4	ESPI-3117	ESPI-3117	ETP-2119	ETP-2119-PA	EBP-3119
EFRS-311719-WT-1	ESPI-3117	ESPI-3117	ETP-2119	ETP-2119-PA	EBP-3119
EFRS-311719-WT-2	ESPI-3117	ESPI-3117	ETP-2119	ETP-2119-PA	EBP-3119
EFRS-311719-WT-3	ESPI-3117	ESPI-3117	ETP-2119	ETP-2119-PA	EBP-3119
EFRS-311719-WT-4	ESPI-3117	ESPI-3117	ETP-2119	ETP-2119-PA	EBP-3119
EFRS-262119-1	ESPI-2621	ESPI-2621	ETP-1419	ETP-1419-PA	EBP-2619
EFRS-262119-2	ESPI-2621	ESPI-2621	ETP-1419	ETP-1419-PA	EBP-2619
EFRS-262119-3	ESPI-2621	ESPI-2621	ETP-1419	ETP-1419-PA	EBP-2619
EFRS-262119-4	ESPI-2621	ESPI-2621	ETP-1419	ETP-1419-PA	EBP-2619
EFRS-262119-WT-1	ESPI-2621	ESPI-2621	ETP-1419	ETP-1419-PA	EBP-2619
EFRS-262119-WT-2	ESPI-2621	ESPI-2621	ETP-1419	ETP-1419-PA	EBP-2619
EFRS-262119-WT-3	ESPI-2621	ESPI-2621	ETP-1419	ETP-1419-PA	EBP-2619
EFRS-262119-WT-4	ESPI-2621	ESPI-2621	ETP-1419	ETP-1419-PA	EBP-2619
EFRS-312119-1	ESPI-3121	ESPI-3121	ETP-1919	ETP-1919-PA	EBP-3119
EFRS-312119-2	ESPI-3121	ESPI-3121	ETP-1919	ETP-1919-PA	EBP-3119
EFRS-312119-3	ESPI-3121	ESPI-3121	ETP-1919	ETP-1919-PA	EBP-3119
EFRS-312119-4	ESPI-3121	ESPI-3121	ETP-1919	ETP-1919-PA	EBP-3119
EFRS-312119-WT-1	ESPI-3121	ESPI-3121	ETP-1919	ETP-1919-PA	EBP-3119
EFRS-312119-WT-2	ESPI-3121	ESPI-3121	ETP-1919	ETP-1919-PA	EBP-3119
EFRS-312119-WT-3	ESPI-3121	ESPI-3121	ETP-1919	ETP-1919-PA	EBP-3119
EFRS-312119-WT-4	ESPI-3121	ESPI-3121	ETP-1919	ETP-1919-PA	EBP-3119

EMC

19" Wide Frames (3)

Front & Rear Options

Frame	Closure Panels [249]			Doors [243]	
	Solid Closure Panel			Door	
	Front	Rear	Slope	Front	Rear
				(1) Block Indicate: LH - Left Hinge RH - Right Hinge	

Slope Front

EFRS-261719-1	N/A	N/A	EPN-1719	EDS-2619-(1)	EDS-4519-(1)
EFRS-261719-2	EPN-2619	EPN-4519	EPN-1719	N/A	N/A
EFRS-261719-3	EPN-2619	N/A	EPN-1719	N/A	EDS-4519-(1)
EFRS-261719-4	N/A	EPN-4519	EPN-1719	EDS-2619-(1)	N/A
EFRS-261719-WT-1	N/A	N/A	EPN-1719	EDS-2319-(1)	EDS-4519-(1)
EFRS-261719-WT-2	EPN-2219	EPN-4519	EPN-1719	N/A	N/A
EFRS-261719-WT-3	EPN-2219	N/A	EPN-1719	N/A	EDS-4519-(1)
EFRS-261719-WT-4	N/A	EPN-4519	EPN-1719	EDS-2319-(1)	N/A
EFRS-311719-1	N/A	N/A	EPN-1719	EDS-2619-(1)	EDS-4519-(1)
EFRS-311719-2	EPN-2619	EPN-4519	EPN-1719	N/A	N/A
EFRS-311719-3	EPN-2619	N/A	EPN-1719	N/A	EDS-4519-(1)
EFRS-311719-4	N/A	EPN-4519	EPN-1719	EDS-2619-(1)	N/A
EFRS-311719-WT-1	N/A	N/A	EPN-1719	EDS-2319-(1)	EDS-4519-(1)
EFRS-311719-WT-2	EPN-2219	EPN-4519	EPN-1719	N/A	N/A
EFRS-311719-WT-3	EPN-2219	N/A	EPN-1719	N/A	EDS-4519-(1)
EFRS-311719-WT-4	N/A	EPN-4519	EPN-1719	EDS-2319-(1)	N/A
EFRS-262119-1	N/A	N/A	EPN-2119	EDS-2619-(1)	EDS-4919-(1)
EFRS-262119-2	EPN-2619	EPN-4919	EPN-2119	N/A	N/A
EFRS-262119-3	EPN-2619	N/A	EPN-2119	N/A	EDS-4919-(1)
EFRS-262119-4	N/A	EPN-4919	EPN-2119	EDS-2619-(1)	N/A
EFRS-262119-WT-1	N/A	N/A	EPN-2119	EDS-2319-(1)	EDS-4919-(1)
EFRS-262119-WT-2	EPN-2219	EPN-4919	EPN-2119	N/A	N/A
EFRS-262119-WT-3	EPN-2219	N/A	EPN-2119	N/A	EDS-4919-(1)
EFRS-262119-WT-4	N/A	EPN-4919	EPN-2119	EDS-2319-(1)	N/A
EFRS-312119-1	N/A	N/A	EPN-2119	EDS-2619-(1)	EDS-4919-(1)
EFRS-312119-2	EPN-2619	EPN-4919	EPN-2119	N/A	N/A
EFRS-312119-3	EPN-2619	N/A	EPN-2119	N/A	EDS-4919-(1)
EFRS-312119-4	N/A	EPN-4919	EPN-2119	EDS-2619-(1)	N/A
EFRS-312119-WT-1	N/A	N/A	EPN-2119	EDS-2319-(1)	EDS-4919-(1)
EFRS-312119-WT-2	EPN-2219	EPN-4919	EPN-2119	N/A	N/A
EFRS-312119-WT-3	EPN-2219	N/A	EPN-2119	N/A	EDS-4919-(1)
EFRS-312119-WT-4	N/A	EPN-4919	EPN-2119	EDS-2319-(1)	N/A

EMC

19" Wide Frames (3)

Access Area Options

Frame	Closure Panels		Blowers	
	Solid Closure Panel	Blower Panel	Blower	
			300 CFM	350 CFM

Slope Front

EFRS-261719-1	N/A	N/A	N/A	N/A
EFRS-261719-2	N/A	N/A	N/A	N/A
EFRS-261719-3	N/A	N/A	N/A	N/A
EFRS-261719-4	N/A	N/A	N/A	N/A
EFRS-261719-WT-1	N/A	N/A	N/A	N/A
EFRS-261719-WT-2	N/A	N/A	N/A	N/A
EFRS-261719-WT-3	N/A	N/A	N/A	N/A
EFRS-261719-WT-4	N/A	N/A	N/A	N/A
EFRS-311719-1	N/A	N/A	N/A	N/A
EFRS-311719-2	N/A	N/A	N/A	N/A
EFRS-311719-3	N/A	N/A	N/A	N/A
EFRS-311719-4	N/A	N/A	N/A	N/A
EFRS-311719-WT-1	N/A	N/A	N/A	N/A
EFRS-311719-WT-2	N/A	N/A	N/A	N/A
EFRS-311719-WT-3	N/A	N/A	N/A	N/A
EFRS-311719-WT-4	N/A	N/A	N/A	N/A
EFRS-262119-1	N/A	N/A	N/A	N/A
EFRS-262119-2	N/A	N/A	N/A	N/A
EFRS-262119-3	N/A	N/A	N/A	N/A
EFRS-262119-4	N/A	N/A	N/A	N/A
EFRS-262119-WT-1	N/A	N/A	N/A	N/A
EFRS-262119-WT-2	N/A	N/A	N/A	N/A
EFRS-262119-WT-3	N/A	N/A	N/A	N/A
EFRS-262119-WT-4	N/A	N/A	N/A	N/A
EFRS-312119-1	N/A	N/A	N/A	N/A
EFRS-312119-2	N/A	N/A	N/A	N/A
EFRS-312119-3	N/A	N/A	N/A	N/A
EFRS-312119-4	N/A	N/A	N/A	N/A
EFRS-312119-WT-1	N/A	N/A	N/A	N/A
EFRS-312119-WT-2	N/A	N/A	N/A	N/A
EFRS-312119-WT-3	N/A	N/A	N/A	N/A
EFRS-312119-WT-4	N/A	N/A	N/A	N/A

EMC

19" Wide Frames (3)

Base Options

Frame	Additional Base Options [251]		
	Pontoon Base	Fork Lift Base	Anti Tip Base

Slope Front

EFRS-261719-1	XPB-2619	XPB-2619-FL	XPB-2619-AT
EFRS-261719-2	XPB-2619	XPB-2619-FL	XPB-2619-AT
EFRS-261719-3	XPB-2619	XPB-2619-FL	XPB-2619-AT
EFRS-261719-4	XPB-2619	XPB-2619-FL	XPB-2619-AT
EFRS-261719-WT-1	XPB-2619	XPB-2619-FL	XPB-2619-AT
EFRS-261719-WT-2	XPB-2619	XPB-2619-FL	XPB-2619-AT
EFRS-261719-WT-3	XPB-2619	XPB-2619-FL	XPB-2619-AT
EFRS-261719-WT-4	XPB-2619	XPB-2619-FL	XPB-2619-AT
EFRS-311719-1	XPB-3119	XPB-3119-FL	XPB-3119-AT
EFRS-311719-2	XPB-3119	XPB-3119-FL	XPB-3119-AT
EFRS-311719-3	XPB-3119	XPB-3119-FL	XPB-3119-AT
EFRS-311719-4	XPB-3119	XPB-3119-FL	XPB-3119-AT
EFRS-311719-WT-1	XPB-3119	XPB-3119-FL	XPB-3119-AT
EFRS-311719-WT-2	XPB-3119	XPB-3119-FL	XPB-3119-AT
EFRS-311719-WT-3	XPB-3119	XPB-3119-FL	XPB-3119-AT
EFRS-311719-WT-4	XPB-3119	XPB-3119-FL	XPB-3119-AT
EFRS-262119-1	XPB-2619	XPB-2619-FL	XPB-2619-AT
EFRS-262119-2	XPB-2619	XPB-2619-FL	XPB-2619-AT
EFRS-262119-3	XPB-2619	XPB-2619-FL	XPB-2619-AT
EFRS-262119-4	XPB-2619	XPB-2619-FL	XPB-2619-AT
EFRS-262119-WT-1	XPB-2619	XPB-2619-FL	XPB-2619-AT
EFRS-262119-WT-2	XPB-2619	XPB-2619-FL	XPB-2619-AT
EFRS-262119-WT-3	XPB-2619	XPB-2619-FL	XPB-2619-AT
EFRS-262119-WT-4	XPB-2619	XPB-2619-FL	XPB-2619-AT
EFRS-312119-1	XPB-3119	XPB-3119-FL	XPB-3119-AT
EFRS-312119-2	XPB-3119	XPB-3119-FL	XPB-3119-AT
EFRS-312119-3	XPB-3119	XPB-3119-FL	XPB-3119-AT
EFRS-312119-4	XPB-3119	XPB-3119-FL	XPB-3119-AT
EFRS-312119-WT-1	XPB-3119	XPB-3119-FL	XPB-3119-AT
EFRS-312119-WT-2	XPB-3119	XPB-3119-FL	XPB-3119-AT
EFRS-312119-WT-3	XPB-3119	XPB-3119-FL	XPB-3119-AT
EFRS-312119-WT-4	XPB-3119	XPB-3119-FL	XPB-3119-AT

EMC

19" Wide Frames (3)

Work Surface Options

Frame	Work Surfaces [247]				
	1 Bay	2 Bay	3 Bay	4 Bay	5 or More
Slope Front					
EFRS-261719-1	N/A	N/A	N/A	N/A	N/A
EFRS-261719-2	N/A	N/A	N/A	N/A	N/A
EFRS-261719-3	N/A	N/A	N/A	N/A	N/A
EFRS-261719-4	N/A	N/A	N/A	N/A	N/A
EFRS-261719-WT-1	EOPT-1822-R-26	EOPT-1845-R-26	EOPT-1867-R-26	EOPT-1890-R-26	contact the factory
EFRS-261719-WT-2	EOPT-1822-R-26	EOPT-1845-R-26	EOPT-1867-R-26	EOPT-1890-R-26	contact the factory
EFRS-261719-WT-3	EOPT-1822-R-26	EOPT-1845-R-26	EOPT-1867-R-26	EOPT-1890-R-26	contact the factory
EFRS-261719-WT-4	EOPT-1822-R-26	EOPT-1845-R-26	EOPT-1867-R-26	EOPT-1890-R-26	contact the factory
EFRS-311719-1	N/A	N/A	N/A	N/A	N/A
EFRS-311719-2	N/A	N/A	N/A	N/A	N/A
EFRS-311719-3	N/A	N/A	N/A	N/A	N/A
EFRS-311719-4	N/A	N/A	N/A	N/A	N/A
EFRS-311719-WT-1	EOPT-1822-R-31	EOPT-1845-R-31	EOPT-1867-R-31	EOPT-1890-R-31	contact the factory
EFRS-311719-WT-2	EOPT-1822-R-31	EOPT-1845-R-31	EOPT-1867-R-31	EOPT-1890-R-31	contact the factory
EFRS-311719-WT-3	EOPT-1822-R-31	EOPT-1845-R-31	EOPT-1867-R-31	EOPT-1890-R-31	contact the factory
EFRS-311719-WT-4	EOPT-1822-R-31	EOPT-1845-R-31	EOPT-1867-R-31	EOPT-1890-R-31	contact the factory
EFRS-262119-1	N/A	N/A	N/A	N/A	N/A
EFRS-262119-2	N/A	N/A	N/A	N/A	N/A
EFRS-262119-3	N/A	N/A	N/A	N/A	N/A
EFRS-262119-4	N/A	N/A	N/A	N/A	N/A
EFRS-262119-WT-1	EOPT-1822-R-26	EOPT-1845-R-26	EOPT-1867-R-26	EOPT-1890-R-26	contact the factory
EFRS-262119-WT-2	EOPT-1822-R-26	EOPT-1845-R-26	EOPT-1867-R-26	EOPT-1890-R-26	contact the factory
EFRS-262119-WT-3	EOPT-1822-R-26	EOPT-1845-R-26	EOPT-1867-R-26	EOPT-1890-R-26	contact the factory
EFRS-262119-WT-4	EOPT-1822-R-26	EOPT-1845-R-26	EOPT-1867-R-26	EOPT-1890-R-26	contact the factory
EFRS-312119-1	N/A	N/A	N/A	N/A	N/A
EFRS-312119-2	N/A	N/A	N/A	N/A	N/A
EFRS-312119-3	N/A	N/A	N/A	N/A	N/A
EFRS-312119-4	N/A	N/A	N/A	N/A	N/A
EFRS-312119-WT-1	EOPT-1822-R-31	EOPT-1845-R-31	EOPT-1867-R-31	EOPT-1890-R-31	contact the factory
EFRS-312119-WT-2	EOPT-1822-R-31	EOPT-1845-R-31	EOPT-1867-R-31	EOPT-1890-R-31	contact the factory
EFRS-312119-WT-3	EOPT-1822-R-31	EOPT-1845-R-31	EOPT-1867-R-31	EOPT-1890-R-31	contact the factory
EFRS-312119-WT-4	EOPT-1822-R-31	EOPT-1845-R-31	EOPT-1867-R-31	EOPT-1890-R-31	contact the factory

EMC

19" Wide Frames (3)

Equipment Support Options

Frame	Chassis Guides [244]	Fixed Equipment Shelves [245]		Pull Out Shelves [245]		Monitor Shelves	
		Solid	Perforated	Solid	Perforated	Solid	Perforated

Slope Front

EFRS-261719-1	XCG-26	XES-2619	XES-2619-PA	XCSQ-2619	XCSQ-2619-PA	N/A	N/A
EFRS-261719-2	N/A	N/A	N/A	N/A	N/A	N/A	N/A
EFRS-261719-3	N/A	N/A	N/A	N/A	N/A	N/A	N/A
EFRS-261719-4	N/A	N/A	N/A	N/A	N/A	N/A	N/A
EFRS-261719-WT-1	XCG-26	XES-2619	XES-2619-PA	XCSQ-2619	XCSQ-2619-PA	N/A	N/A
EFRS-261719-WT-2	N/A	N/A	N/A	N/A	N/A	N/A	N/A
EFRS-261719-WT-3	N/A	N/A	N/A	N/A	N/A	N/A	N/A
EFRS-261719-WT-4	N/A	N/A	N/A	N/A	N/A	N/A	N/A
EFRS-311719-1	XCG-31	XES-3119	XES-3119-PA	XCSQ-3119	XCSQ-3119-PA	N/A	N/A
EFRS-311719-2	N/A	N/A	N/A	N/A	N/A	N/A	N/A
EFRS-311719-3	N/A	N/A	N/A	N/A	N/A	N/A	N/A
EFRS-311719-4	N/A	N/A	N/A	N/A	N/A	N/A	N/A
EFRS-311719-WT-1	XCG-31	XES-3119	XES-3119-PA	XCSQ-3119	XCSQ-3119-PA	N/A	N/A
EFRS-311719-WT-2	N/A	N/A	N/A	N/A	N/A	N/A	N/A
EFRS-311719-WT-3	N/A	N/A	N/A	N/A	N/A	N/A	N/A
EFRS-311719-WT-4	N/A	N/A	N/A	N/A	N/A	N/A	N/A
EFRS-262119-1	XCG-26	XES-2619	XES-2619-PA	XCSQ-2619	XCSQ-2619-PA	N/A	N/A
EFRS-262119-2	N/A	N/A	N/A	N/A	N/A	N/A	N/A
EFRS-262119-3	N/A	N/A	N/A	N/A	N/A	N/A	N/A
EFRS-262119-4	N/A	N/A	N/A	N/A	N/A	N/A	N/A
EFRS-262119-WT-1	XCG-26	XES-2619	XES-2619-PA	XCSQ-2619	XCSQ-2619-PA	N/A	N/A
EFRS-262119-WT-2	N/A	N/A	N/A	N/A	N/A	N/A	N/A
EFRS-262119-WT-3	N/A	N/A	N/A	N/A	N/A	N/A	N/A
EFRS-262119-WT-4	N/A	N/A	N/A	N/A	N/A	N/A	N/A
EFRS-312119-1	XCG-31	XES-3119	XES-3119-PA	XCSQ-3119	XCSQ-3119-PA	N/A	N/A
EFRS-312119-2	N/A	N/A	N/A	N/A	N/A	N/A	N/A
EFRS-312119-3	N/A	N/A	N/A	N/A	N/A	N/A	N/A
EFRS-312119-4	N/A	N/A	N/A	N/A	N/A	N/A	N/A
EFRS-312119-WT-1	XCG-31	XES-3119	XES-3119-PA	XCSQ-3119	XCSQ-3119-PA	N/A	N/A
EFRS-312119-WT-2	N/A	N/A	N/A	N/A	N/A	N/A	N/A
EFRS-312119-WT-3	N/A	N/A	N/A	N/A	N/A	N/A	N/A
EFRS-312119-WT-4	N/A	N/A	N/A	N/A	N/A	N/A	N/A

EMC

19" Wide Frames (3)

Equipment Support Options

Frame	Retractable Keyboard Trays		Work Surface Drawers [246]	Equipment Drawers [246]	
	Tray	Access Panel		Non-Locking	Locking
				(1) Block Indicate: 3 - 3.50" Drawer Front -LK option N/A for 3.5" 5 - 5.25" Drawer Front 7 - 7.00" Drawer Front 8 - 8.75" Drawer Front 10 - 10.5" Drawer Front 14 - 14.0" Drawer Front	
Slope Front					
EFRS-261719-1	N/A	N/A	XRSQ-2619	XDRQ-26(1)19	XDRQ-26(1)19-LK
EFRS-261719-2	N/A	N/A	N/A	N/A	N/A
EFRS-261719-3	N/A	N/A	N/A	N/A	N/A
EFRS-261719-4	N/A	N/A	N/A	N/A	N/A
EFRS-261719-WT-1	N/A	N/A	XRSQ-2619	XDRQ-26(1)19	XDRQ-26(1)19-LK
EFRS-261719-WT-2	N/A	N/A	N/A	N/A	N/A
EFRS-261719-WT-3	N/A	N/A	N/A	N/A	N/A
EFRS-261719-WT-4	N/A	N/A	N/A	N/A	N/A
EFRS-311719-1	N/A	N/A	XRSQ-3119	XDRQ-31(1)19	XDRQ-31(1)19-LK
EFRS-311719-2	N/A	N/A	N/A	N/A	N/A
EFRS-311719-3	N/A	N/A	N/A	N/A	N/A
EFRS-311719-4	N/A	N/A	N/A	N/A	N/A
EFRS-311719-WT-1	N/A	N/A	XRSQ-3119	XDRQ-31(1)19	XDRQ-31(1)19-LK
EFRS-311719-WT-2	N/A	N/A	N/A	N/A	N/A
EFRS-311719-WT-3	N/A	N/A	N/A	N/A	N/A
EFRS-311719-WT-4	N/A	N/A	N/A	N/A	N/A
EFRS-262119-1	N/A	N/A	XRSQ-2619	XDRQ-26(1)19	XDRQ-26(1)19-LK
EFRS-262119-2	N/A	N/A	N/A	N/A	N/A
EFRS-262119-3	N/A	N/A	N/A	N/A	N/A
EFRS-262119-4	N/A	N/A	N/A	N/A	N/A
EFRS-262119-WT-1	N/A	N/A	XRSQ-2619	XDRQ-26(1)19	XDRQ-26(1)19-LK
EFRS-262119-WT-2	N/A	N/A	N/A	N/A	N/A
EFRS-262119-WT-3	N/A	N/A	N/A	N/A	N/A
EFRS-262119-WT-4	N/A	N/A	N/A	N/A	N/A
EFRS-312119-1	N/A	N/A	XRSQ-3119	XDRQ-31(1)19	XDRQ-31(1)19-LK
EFRS-312119-2	N/A	N/A	N/A	N/A	N/A
EFRS-312119-3	N/A	N/A	N/A	N/A	N/A
EFRS-312119-4	N/A	N/A	N/A	N/A	N/A
EFRS-312119-WT-1	N/A	N/A	XRSQ-3119	XDRQ-31(1)19	XDRQ-31(1)19-LK
EFRS-312119-WT-2	N/A	N/A	N/A	N/A	N/A
EFRS-312119-WT-3	N/A	N/A	N/A	N/A	N/A
EFRS-312119-WT-4	N/A	N/A	N/A	N/A	N/A

EMC

24" Wide Frames (1)

Mounting Angle Options

Frame	Panel Mounting Angles [240]					
	Thru-Hole		Tapped 1 Face		Tapped 2 Face	
	Front (pr)	Rear (pr)	Front (pr)	Rear (pr)	Front (pr)	Rear (pr)
	Supplied with frame					

Vertical

EFR-262624-1	XMA-26	XMA-26	XMA-26-T	XMA-26-T	XMA-26-T2	XMA-26-T2
EFR-262624-2	fixed	fixed	N/A	N/A	N/A	N/A
EFR-262624-3	fixed	XMA-26	N/A	XMA-26-T	N/A	XMA-26-T2
EFR-262624-4	XMA-15	XMA-26	XMA-15-T	XMA-26-T	XMA-15-T2	XMA-26-T2
EFR-262624-5	XMA-15	fixed	XMA-15-T	N/A	XMA-15-T2	XMA-26-T2
EFR-312624-1	XMA-26	XMA-26	XMA-26-T	XMA-26-T	XMA-26-T2	XMA-26-T2
EFR-312624-2	fixed	fixed	N/A	N/A	N/A	N/A
EFR-312624-3	fixed	XMA-26	N/A	XMA-26-T	N/A	XMA-26-T2
EFR-312624-4	XMA-15	XMA-26	XMA-15-T	XMA-26-T	XMA-15-T2	XMA-26-T2
EFR-312624-5	XMA-15	fixed	XMA-15-T	N/A	XMA-15-T2	N/A
EFR-263324-1	XMA-33	XMA-33	XMA-33-T	XMA-33-T	XMA-33-T2	XMA-33-T2
EFR-263324-2	fixed	fixed	N/A	N/A	N/A	N/A
EFR-263324-3	fixed	XMA-33	N/A	XMA-33-T	N/A	XMA-33-T2
EFR-263324-4	XMA-22	XMA-33	XMA-22-T	XMA-33-T	XMA-22-T2	XMA-33-T2
EFR-263324-5	XMA-22	fixed	XMA-22-T	N/A	XMA-22-T2	N/A
EFR-313324-1	XMA-33	XMA-33	XMA-33-T	XMA-33-T	XMA-33-T2	XMA-33-T2
EFR-313324-2	fixed	fixed	N/A	N/A	N/A	N/A
EFR-313324-3	fixed	XMA-33	N/A	XMA-33-T	N/A	XMA-33-T2
EFR-313324-4	XMA-22	XMA-33	XMA-22-T	XMA-33-T	XMA-22-T2	XMA-33-T2
EFR-313324-5	XMA-22	fixed	XMA-22-T	N/A	XMA-22-T2	N/A
EFR-263524-1	XMA-35	XMA-35	XMA-35-T	XMA-35-T	XMA-35-T2	XMA-35-T2
EFR-263524-2	fixed	fixed	N/A	N/A	N/A	N/A
EFR-263524-3	fixed	XMA-35	N/A	XMA-35-T	N/A	XMA-35-T2
EFR-263524-4	XMA-26	XMA-35	XMA-26-T	XMA-35-T	XMA-26-T2	XMA-35-T2
EFR-263524-5	XMA-26	fixed	XMA-26-T	N/A	XMA-26-T2	N/A
EFR-313524-1	XMA-35	XMA-35	XMA-35-T	XMA-35-T	XMA-35-T2	XMA-35-T2
EFR-313524-2	fixed	fixed	N/A	N/A	N/A	N/A
EFR-313524-3	fixed	XMA-35	N/A	XMA-35-T	N/A	XMA-35-T2
EFR-313524-4	XMA-26	XMA-35	XMA-26-T	XMA-35-T	XMA-26-T2	XMA-35-T2
EFR-313524-5	XMA-26	fixed	XMA-26-T	N/A	XMA-26-T2	N/A
EFR-264024-1	XMA-40	XMA-40	XMA-40-T	XMA-40-T	XMA-40-T2	XMA-40-T2
EFR-264024-2	fixed	fixed	N/A	N/A	N/A	N/A
EFR-264024-3	fixed	XMA-40	N/A	XMA-40-T	N/A	XMA-40-T2
EFR-264024-4	XMA-31	XMA-40	XMA-31-T	XMA-40-T	XMA-31-T2	XMA-40-T2
EFR-264024-5	XMA-31	fixed	XMA-31-T	N/A	XMA-31-T2	N/A
EFR-314024-1	XMA-40	XMA-40	XMA-40-T	XMA-40-T	XMA-40-T2	XMA-40-T2
EFR-314024-2	fixed	fixed	N/A	N/A	N/A	N/A
EFR-314024-3	fixed	XMA-40	N/A	XMA-40-T	N/A	XMA-40-T2
EFR-314024-4	XMA-31	XMA-40	XMA-31-T	XMA-40-T	XMA-31-T2	XMA-40-T2
EFR-314024-5	XMA-31	fixed	XMA-31-T	N/A	XMA-31-T2	N/A
EFR-264924-1	XMA-49	XMA-49	XMA-49-T	XMA-49-T	XMA-49-T2	XMA-49-T2
EFR-264924-2	fixed	fixed	N/A	N/A	N/A	N/A
EFR-264924-3	fixed	XMA-49	N/A	XMA-49-T	N/A	XMA-49-T2
EFR-264924-4	XMA-40	XMA-49	XMA-40-T	XMA-49-T	XMA-40-T2	XMA-49-T2
EFR-264924-5	XMA-40	fixed	XMA-40-T	N/A	XMA-40-T2	N/A
EFR-314924-1	XMA-49	XMA-49	XMA-49-T	XMA-49-T	XMA-49-T2	XMA-49-T2
EFR-314924-2	fixed	fixed	N/A	N/A	N/A	N/A
EFR-314924-3	fixed	XMA-49	N/A	XMA-49-T	N/A	XMA-49-T2
EFR-314924-4	XMA-40	XMA-49	XMA-40-T	XMA-49-T	XMA-40-T2	XMA-49-T2
EFR-314924-5	XMA-40	fixed	XMA-40-T	N/A	XMA-40-T2	N/A

EMC

24" Wide Frames (1)

Side, Top, & Bottom Options

Frame	Side Panels [241]		Top Panels [242]		Bottom Panels [242]
	Inside Removable Solid		Solid	Perforated	Solid
	Left	Right			

Vertical

EFR-262624-1	ESPI-2626	ESPI-2626	ETP-2224	ETP-2224-PA	EBP-2624
EFR-262624-2	ESPI-2626	ESPI-2626	ETP-2224	ETP-2224-PA	EBP-2624
EFR-262624-3	ESPI-2626	ESPI-2626	ETP-2224	ETP-2224-PA	EBP-2624
EFR-262624-4	ESPI-2626	ESPI-2626	ETP-2224	ETP-2224-PA	EBP-2624
EFR-262624-5	ESPI-2626	ESPI-2626	ETP-2224	ETP-2224-PA	EBP-2624
EFR-312624-1	ESPI-3126	ESPI-3126	ETP-2824	ETP-2824-PA	EBP-3124
EFR-312624-2	ESPI-3126	ESPI-3126	ETP-2824	ETP-2824-PA	EBP-3124
EFR-312624-3	ESPI-3126	ESPI-3126	ETP-2824	ETP-2824-PA	EBP-3124
EFR-312624-4	ESPI-3126	ESPI-3126	ETP-2824	ETP-2824-PA	EBP-3124
EFR-312624-5	ESPI-3126	ESPI-3126	ETP-2824	ETP-2824-PA	EBP-3124
EFR-263324-1	ESPI-2633	ESPI-2633	ETP-2224	ETP-2224-PA	EBP-2624
EFR-263324-2	ESPI-2633	ESPI-2633	ETP-2224	ETP-2224-PA	EBP-2624
EFR-263324-3	ESPI-2633	ESPI-2633	ETP-2224	ETP-2224-PA	EBP-2624
EFR-263324-4	ESPI-2633	ESPI-2633	ETP-2224	ETP-2224-PA	EBP-2624
EFR-263324-5	ESPI-2633	ESPI-2633	ETP-2224	ETP-2224-PA	EBP-2624
EFR-313324-1	ESPI-3133	ESPI-3133	ETP-2824	ETP-2824-PA	EBP-3124
EFR-313324-2	ESPI-3133	ESPI-3133	ETP-2824	ETP-2824-PA	EBP-3124
EFR-313324-3	ESPI-3133	ESPI-3133	ETP-2824	ETP-2824-PA	EBP-3124
EFR-313324-4	ESPI-3133	ESPI-3133	ETP-2824	ETP-2824-PA	EBP-3124
EFR-313324-5	ESPI-3133	ESPI-3133	ETP-2824	ETP-2824-PA	EBP-3124
EFR-263524-1	ESPI-2635	ESPI-2635	ETP-2224	ETP-2224-PA	EBP-2624
EFR-263524-2	ESPI-2635	ESPI-2635	ETP-2224	ETP-2224-PA	EBP-2624
EFR-263524-3	ESPI-2635	ESPI-2635	ETP-2224	ETP-2224-PA	EBP-2624
EFR-263524-4	ESPI-2635	ESPI-2635	ETP-2224	ETP-2224-PA	EBP-2624
EFR-263524-5	ESPI-2635	ESPI-2635	ETP-2224	ETP-2224-PA	EBP-2624
EFR-313524-1	ESPI-3135	ESPI-3135	ETP-2824	ETP-2824-PA	EBP-3124
EFR-313524-2	ESPI-3135	ESPI-3135	ETP-2824	ETP-2824-PA	EBP-3124
EFR-313524-3	ESPI-3135	ESPI-3135	ETP-2824	ETP-2824-PA	EBP-3124
EFR-313524-4	ESPI-3135	ESPI-3135	ETP-2824	ETP-2824-PA	EBP-3124
EFR-313524-5	ESPI-3135	ESPI-3135	ETP-2824	ETP-2824-PA	EBP-3124
EFR-264024-1	ESPI-2640	ESPI-2640	ETP-2224	ETP-2224-PA	EBP-2624
EFR-264024-2	ESPI-2640	ESPI-2640	ETP-2224	ETP-2224-PA	EBP-2624
EFR-264024-3	ESPI-2640	ESPI-2640	ETP-2224	ETP-2224-PA	EBP-2624
EFR-264024-4	ESPI-2640	ESPI-2640	ETP-2224	ETP-2224-PA	EBP-2624
EFR-264024-5	ESPI-2640	ESPI-2640	ETP-2224	ETP-2224-PA	EBP-2624
EFR-314024-1	ESPI-3140	ESPI-3140	ETP-2824	ETP-2824-PA	EBP-3124
EFR-314024-2	ESPI-3140	ESPI-3140	ETP-2824	ETP-2824-PA	EBP-3124
EFR-314024-3	ESPI-3140	ESPI-3140	ETP-2824	ETP-2824-PA	EBP-3124
EFR-314024-4	ESPI-3140	ESPI-3140	ETP-2824	ETP-2824-PA	EBP-3124
EFR-314024-5	ESPI-3140	ESPI-3140	ETP-2824	ETP-2824-PA	EBP-3124
EFR-264924-1	ESPI-2649	ESPI-2649	ETP-2224	ETP-2224-PA	EBP-2624
EFR-264924-2	ESPI-2649	ESPI-2649	ETP-2224	ETP-2224-PA	EBP-2624
EFR-264924-3	ESPI-2649	ESPI-2649	ETP-2224	ETP-2224-PA	EBP-2624
EFR-264924-4	ESPI-2649	ESPI-2649	ETP-2224	ETP-2224-PA	EBP-2624
EFR-264924-5	ESPI-2649	ESPI-2649	ETP-2224	ETP-2224-PA	EBP-2624
EFR-314924-1	ESPI-3149	ESPI-3149	ETP-2824	ETP-2824-PA	EBP-3124
EFR-314924-2	ESPI-3149	ESPI-3149	ETP-2824	ETP-2824-PA	EBP-3124
EFR-314924-3	ESPI-3149	ESPI-3149	ETP-2824	ETP-2824-PA	EBP-3124
EFR-314924-4	ESPI-3149	ESPI-3149	ETP-2824	ETP-2824-PA	EBP-3124
EFR-314924-5	ESPI-3149	ESPI-3149	ETP-2824	ETP-2824-PA	EBP-3124

EMC

24" Wide Frames (1)

Front & Rear Options

Frame	Closure Panels [249]			Doors [243]	
	Solid Closure Panel			Door	
	Front	Rear	Slope	Front	Rear

(1) Block Indicate:

LH - Left Hinge
RH - Right Hinge

Vertical

EFR-262624-1	N/A	N/A	N/A	EDS-2624-(1)	EDS-2624-(1)
EFR-262624-2	EPN-2624	EPN-2624	N/A	N/A	N/A
EFR-262624-3	EPN-2624	N/A	N/A	N/A	EDS-2624-(1)
EFR-262624-4	N/A	N/A	N/A	EDS-1624-(1)	EDS-2624-(1)
EFR-262624-5	N/A	EPN-2624	N/A	EDS-1624-(1)	N/A
EFR-312624-1	N/A	N/A	N/A	EDS-2624-(1)	EDS-2624-(1)
EFR-312624-2	EPN-2624	EPN-2624	N/A	N/A	N/A
EFR-312624-3	EPN-2624	N/A	N/A	N/A	EDS-2624-(1)
EFR-312624-4	N/A	N/A	N/A	EDS-1624-(1)	EDS-2624-(1)
EFR-312624-5	N/A	EPN-2624	N/A	EDS-1624-(1)	N/A
EFR-263324-1	N/A	N/A	N/A	EDS-3324-(1)	EDS-3324-(1)
EFR-263324-2	EPN-3324	EPN-3324	N/A	N/A	N/A
EFR-263324-3	EPN-3324	N/A	N/A	N/A	EDS-3324-(1)
EFR-263324-4	N/A	N/A	N/A	EDS-2324-(1)	EDS-3324-(1)
EFR-263324-5	N/A	EPN-3324	N/A	EDS-2324-(1)	N/A
EFR-313324-1	N/A	N/A	N/A	EDS-3324-(1)	EDS-3324-(1)
EFR-313324-2	EPN-3324	EPN-3324	N/A	N/A	N/A
EFR-313324-3	EPN-3324	N/A	N/A	N/A	EDS-3324-(1)
EFR-313324-4	N/A	N/A	N/A	EDS-2324-(1)	EDS-3324-(1)
EFR-313324-5	N/A	EPN-3324	N/A	EDS-2324-(1)	N/A
EFR-263524-1	N/A	N/A	N/A	EDS-3524-(1)	EDS-3524-(1)
EFR-263524-2	EPN-3524	EPN-3524	N/A	N/A	N/A
EFR-263524-3	EPN-3524	N/A	N/A	N/A	EDS-3524-(1)
EFR-263524-4	N/A	N/A	N/A	EDS-2524-(1)	EDS-3524-(1)
EFR-263524-5	N/A	EPN-3524	N/A	EDS-2524-(1)	N/A
EFR-313524-1	N/A	N/A	N/A	EDS-3524-(1)	EDS-3524-(1)
EFR-313524-2	EPN-3524	EPN-3524	N/A	N/A	N/A
EFR-313524-3	EPN-3524	N/A	N/A	N/A	EDS-3524-(1)
EFR-313524-4	N/A	N/A	N/A	EDS-2524-(1)	EDS-3524-(1)
EFR-313524-5	N/A	EPN-3524	N/A	EDS-2524-(1)	N/A
EFR-264024-1	N/A	N/A	N/A	EDS-4024-(1)	EDS-4024-(1)
EFR-264024-2	EPN-4024	EPN-4024	N/A	N/A	N/A
EFR-264024-3	EPN-4024	N/A	N/A	N/A	EDS-4024-(1)
EFR-264024-4	N/A	N/A	N/A	EDS-3024-(1)	EDS-4024-(1)
EFR-264024-5	N/A	EPN-4024	N/A	EDS-3024-(1)	N/A
EFR-314024-1	N/A	N/A	N/A	EDS-4024-(1)	EDS-4024-(1)
EFR-314024-2	EPN-4024	EPN-4024	N/A	N/A	N/A
EFR-314024-3	EPN-4024	N/A	N/A	N/A	EDS-4024-(1)
EFR-314024-4	N/A	N/A	N/A	EDS-3024-(1)	EDS-4024-(1)
EFR-314024-5	N/A	EPN-4024	N/A	EDS-3024-(1)	N/A
EFR-264924-1	N/A	N/A	N/A	EDS-4924-(1)	EDS-4924-(1)
EFR-264924-2	EPN-4924	EPN-4924	N/A	N/A	N/A
EFR-264924-3	EPN-4924	N/A	N/A	N/A	EDS-4924-(1)
EFR-264924-4	N/A	N/A	N/A	EDS-3924-(1)	EDS-4924-(1)
EFR-264924-5	N/A	EPN-4924	N/A	EDS-3924-(1)	N/A
EFR-314924-1	N/A	N/A	N/A	EDS-4924-(1)	EDS-4924-(1)
EFR-314924-2	EPN-4924	EPN-4924	N/A	N/A	N/A
EFR-314924-3	EPN-4924	N/A	N/A	N/A	EDS-4924-(1)
EFR-314924-4	N/A	N/A	N/A	EDS-3924-(1)	EDS-4924-(1)
EFR-314924-5	N/A	EPN-4924	N/A	EDS-3924-(1)	N/A

EMC

24" Wide Frames (1)

Access Area Options

Frame	Closure Panels [249]		Blowers [248]	
	Solid Closure Panel	Blower Panel	Blower	
			300 CFM	350 CFM
		This panel must be ordered in conjunction with a blower option.	Remember to order a blower panel.	Remember to order a blower panel.

Vertical

EFR-262624-1	N/A	N/A	N/A	N/A
EFR-262624-2	N/A	N/A	N/A	N/A
EFR-262624-3	N/A	N/A	N/A	N/A
EFR-262624-4	EPN-0824	EPN-0824-BP	BL-300EG	BL-350EG
EFR-262624-5	EPN-0824	EPN-0824-BP	BL-300EG	BL-350EG
EFR-312624-1	N/A	N/A	N/A	N/A
EFR-312624-2	N/A	N/A	N/A	N/A
EFR-312624-3	N/A	N/A	N/A	N/A
EFR-312624-4	EPN-0824	EPN-0824-BP	BL-300EG	BL-350EG
EFR-312624-5	EPN-0824	EPN-0824-BP	BL-300EG	BL-350EG
EFR-263324-1	N/A	N/A	N/A	N/A
EFR-263324-2	N/A	N/A	N/A	N/A
EFR-263324-3	N/A	N/A	N/A	N/A
EFR-263324-4	EPN-0824	EPN-0824-BP	BL-300EG	BL-350EG
EFR-263324-5	EPN-0824	EPN-0824-BP	BL-300EG	BL-350EG
EFR-313324-1	N/A	N/A	N/A	N/A
EFR-313324-2	N/A	N/A	N/A	N/A
EFR-313324-3	N/A	N/A	N/A	N/A
EFR-313324-4	EPN-0824	EPN-0824-BP	BL-300EG	BL-350EG
EFR-313324-5	EPN-0824	EPN-0824-BP	BL-300EG	BL-350EG
EFR-263524-1	N/A	N/A	N/A	N/A
EFR-263524-2	N/A	N/A	N/A	N/A
EFR-263524-3	N/A	N/A	N/A	N/A
EFR-263524-4	EPN-0824	EPN-0824-BP	BL-300EG	BL-350EG
EFR-263524-5	EPN-0824	EPN-0824-BP	BL-300EG	BL-350EG
EFR-313524-1	N/A	N/A	N/A	N/A
EFR-313524-2	N/A	N/A	N/A	N/A
EFR-313524-3	N/A	N/A	N/A	N/A
EFR-313524-4	EPN-0824	EPN-0824-BP	BL-300EG	BL-350EG
EFR-313524-5	EPN-0824	EPN-0824-BP	BL-300EG	BL-350EG
EFR-264024-1	N/A	N/A	N/A	N/A
EFR-264024-2	N/A	N/A	N/A	N/A
EFR-264024-3	N/A	N/A	N/A	N/A
EFR-264024-4	EPN-0824	EPN-0824-BP	BL-300EG	BL-350EG
EFR-264024-5	EPN-0824	EPN-0824-BP	BL-300EG	BL-350EG
EFR-314024-1	N/A	N/A	N/A	N/A
EFR-314024-2	N/A	N/A	N/A	N/A
EFR-314024-3	N/A	N/A	N/A	N/A
EFR-314024-4	EPN-0824	EPN-0824-BP	BL-300EG	BL-350EG
EFR-314024-5	EPN-0824	EPN-0824-BP	BL-300EG	BL-350EG
EFR-264924-1	N/A	N/A	N/A	N/A
EFR-264924-2	N/A	N/A	N/A	N/A
EFR-264924-3	N/A	N/A	N/A	N/A
EFR-264924-4	EPN-0824	EPN-0824-BP	BL-300EG	BL-350EG
EFR-264924-5	EPN-0824	EPN-0824-BP	BL-300EG	BL-350EG
EFR-314924-1	N/A	N/A	N/A	N/A
EFR-314924-2	N/A	N/A	N/A	N/A
EFR-314924-3	N/A	N/A	N/A	N/A
EFR-314924-4	EPN-0824	EPN-0824-BP	BL-300EG	BL-350EG
EFR-314924-5	EPN-0824	EPN-0824-BP	BL-300EG	BL-350EG

24" Wide Frames (1)

Base Options

Frame	Additional Base Options [251]		
	Pontoon Base	Fork Lift Base	Anti Tip Base
Vertical			
EFR-262624-1	XPB-2624	XPB-2624-FL	XPB-2624-AT
EFR-262624-2	XPB-2624	XPB-2624-FL	XPB-2624-AT
EFR-262624-3	XPB-2624	XPB-2624-FL	XPB-2624-AT
EFR-262624-4	XPB-2624	XPB-2624-FL	XPB-2624-AT
EFR-262624-5	XPB-2624	XPB-2624-FL	XPB-2624-AT
EFR-312624-1	XPB-3124	XPB-3124-FL	XPB-3124-AT
EFR-312624-2	XPB-3124	XPB-3124-FL	XPB-3124-AT
EFR-312624-3	XPB-3124	XPB-3124-FL	XPB-3124-AT
EFR-312624-4	XPB-3124	XPB-3124-FL	XPB-3124-AT
EFR-312624-5	XPB-3124	XPB-3124-FL	XPB-3124-AT
EFR-263324-1	XPB-2624	XPB-2624-FL	XPB-2624-AT
EFR-263324-2	XPB-2624	XPB-2624-FL	XPB-2624-AT
EFR-263324-3	XPB-2624	XPB-2624-FL	XPB-2624-AT
EFR-263324-4	XPB-2624	XPB-2624-FL	XPB-2624-AT
EFR-263324-5	XPB-2624	XPB-2624-FL	XPB-2624-AT
EFR-313324-1	XPB-3124	XPB-3124-FL	XPB-3124-AT
EFR-313324-2	XPB-3124	XPB-3124-FL	XPB-3124-AT
EFR-313324-3	XPB-3124	XPB-3124-FL	XPB-3124-AT
EFR-313324-4	XPB-3124	XPB-3124-FL	XPB-3124-AT
EFR-313324-5	XPB-3124	XPB-3124-FL	XPB-3124-AT
EFR-263524-1	XPB-2624	XPB-2624-FL	XPB-2624-AT
EFR-263524-2	XPB-2624	XPB-2624-FL	XPB-2624-AT
EFR-263524-3	XPB-2624	XPB-2624-FL	XPB-2624-AT
EFR-263524-4	XPB-2624	XPB-2624-FL	XPB-2624-AT
EFR-263524-5	XPB-2624	XPB-2624-FL	XPB-2624-AT
EFR-313524-1	XPB-3124	XPB-3124-FL	XPB-3124-AT
EFR-313524-2	XPB-3124	XPB-3124-FL	XPB-3124-AT
EFR-313524-3	XPB-3124	XPB-3124-FL	XPB-3124-AT
EFR-313524-4	XPB-3124	XPB-3124-FL	XPB-3124-AT
EFR-313524-5	XPB-3124	XPB-3124-FL	XPB-3124-AT
EFR-264024-1	XPB-2624	XPB-2624-FL	XPB-2624-AT
EFR-264024-2	XPB-2624	XPB-2624-FL	XPB-2624-AT
EFR-264024-3	XPB-2624	XPB-2624-FL	XPB-2624-AT
EFR-264024-4	XPB-2624	XPB-2624-FL	XPB-2624-AT
EFR-264024-5	XPB-2624	XPB-2624-FL	XPB-2624-AT
EFR-314024-1	XPB-3124	XPB-3124-FL	XPB-3124-AT
EFR-314024-2	XPB-3124	XPB-3124-FL	XPB-3124-AT
EFR-314024-3	XPB-3124	XPB-3124-FL	XPB-3124-AT
EFR-314024-4	XPB-3124	XPB-3124-FL	XPB-3124-AT
EFR-314024-5	XPB-3124	XPB-3124-FL	XPB-3124-AT
EFR-264924-1	XPB-2624	XPB-2624-FL	XPB-2624-AT
EFR-264924-2	XPB-2624	XPB-2624-FL	XPB-2624-AT
EFR-264924-3	XPB-2624	XPB-2624-FL	XPB-2624-AT
EFR-264924-4	XPB-2624	XPB-2624-FL	XPB-2624-AT
EFR-264924-5	XPB-2624	XPB-2624-FL	XPB-2624-AT
EFR-314924-1	XPB-3124	XPB-3124-FL	XPB-3124-AT
EFR-314924-2	XPB-3124	XPB-3124-FL	XPB-3124-AT
EFR-314924-3	XPB-3124	XPB-3124-FL	XPB-3124-AT
EFR-314924-4	XPB-3124	XPB-3124-FL	XPB-3124-AT
EFR-314924-5	XPB-3124	XPB-3124-FL	XPB-3124-AT

EMC

24" Wide Frames (1)

Equipment Support Options

Frame	Chassis Guides [244]	Fixed Equipment Shelves [245]		Pull Out Shelves [245]		Monitor Shelves [245]	
		Solid	Perforated	Solid	Perforated	Solid	Perforated

Vertical

EFR-262624-1	XCG-26	XES-2624	XES-2624-PA	XCSQ-2624	XCSQ-2624-PA	XES-1619	XES-1619-PA
EFR-262624-2	N/A	N/A	N/A	N/A	N/A	N/A	N/A
EFR-262624-3	N/A	N/A	N/A	N/A	N/A	XES-1619	XES-1619-PA
EFR-262624-4	XCG-26	XES-2624	XES-2624-PA	XCSQ-2624	XCSQ-2624-PA	XES-1619	XES-1619-PA
EFR-262624-5	N/A	N/A	N/A	N/A	N/A	XES-1619	XES-1619-PA
EFR-312624-1	XCG-31	XES-3124	XES-3124-PA	XCSQ-3124	XCSQ-3124-PA	XES-1619	XES-1619-PA
EFR-312624-2	N/A	N/A	N/A	N/A	N/A	N/A	N/A
EFR-312624-3	N/A	N/A	N/A	N/A	N/A	XES-1619	XES-1619-PA
EFR-312624-4	XCG-31	XES-3124	XES-3124-PA	XCSQ-3124	XCSQ-3124-PA	XES-1619	XES-1619-PA
EFR-312624-5	N/A	N/A	N/A	N/A	N/A	XES-1619	XES-1619-PA
EFR-263324-1	XCG-26	XES-2624	XES-2624-PA	XCSQ-2624	XCSQ-2624-PA	XES-1619	XES-1619-PA
EFR-263324-2	N/A	N/A	N/A	N/A	N/A	N/A	N/A
EFR-263324-3	N/A	N/A	N/A	N/A	N/A	XES-1619	XES-1619-PA
EFR-263324-4	XCG-26	XES-2624	XES-2624-PA	XCSQ-2624	XCSQ-2624-PA	XES-1619	XES-1619-PA
EFR-263324-5	N/A	N/A	N/A	N/A	N/A	XES-1619	XES-1619-PA
EFR-313324-1	XCG-31	XES-3124	XES-3124-PA	XCSQ-3124	XCSQ-3124-PA	XES-1619	XES-1619-PA
EFR-313324-2	N/A	N/A	N/A	N/A	N/A	N/A	N/A
EFR-313324-3	N/A	N/A	N/A	N/A	N/A	XES-1619	XES-1619-PA
EFR-313324-4	XCG-31	XES-3124	XES-3124-PA	XCSQ-3124	XCSQ-3124-PA	XES-1619	XES-1619-PA
EFR-313324-5	N/A	N/A	N/A	N/A	N/A	XES-1619	XES-1619-PA
EFR-263524-1	XCG-26	XES-2624	XES-2624-PA	XCSQ-2624	XCSQ-2624-PA	XES-1619	XES-1619-PA
EFR-263524-2	N/A	N/A	N/A	N/A	N/A	N/A	N/A
EFR-263524-3	N/A	N/A	N/A	N/A	N/A	XES-1619	XES-1619-PA
EFR-263524-4	XCG-26	XES-2624	XES-2624-PA	XCSQ-2624	XCSQ-2624-PA	XES-1619	XES-1619-PA
EFR-263524-5	N/A	N/A	N/A	N/A	N/A	XES-1619	XES-1619-PA
EFR-313524-1	XCG-31	XES-3124	XES-3124-PA	XCSQ-3124	XCSQ-3124-PA	XES-1619	XES-1619-PA
EFR-313524-2	N/A	N/A	N/A	N/A	N/A	N/A	N/A
EFR-313524-3	N/A	N/A	N/A	N/A	N/A	XES-1619	XES-1619-PA
EFR-313524-4	XCG-31	XES-3124	XES-3124-PA	XCSQ-3124	XCSQ-3124-PA	XES-1619	XES-1619-PA
EFR-313524-5	N/A	N/A	N/A	N/A	N/A	XES-1619	XES-1619-PA
EFR-264024-1	XCG-26	XES-2624	XES-2624-PA	XCSQ-2624	XCSQ-2624-PA	XES-1619	XES-1619-PA
EFR-264024-2	N/A	N/A	N/A	N/A	N/A	N/A	N/A
EFR-264024-3	N/A	N/A	N/A	N/A	N/A	XES-1619	XES-1619-PA
EFR-264024-4	XCG-26	XES-2624	XES-2624-PA	XCSQ-2624	XCSQ-2624-PA	XES-1619	XES-1619-PA
EFR-264024-5	N/A	N/A	N/A	N/A	N/A	XES-1619	XES-1619-PA
EFR-314024-1	XCG-31	XES-3124	XES-3124-PA	XCSQ-3124	XCSQ-3124-PA	XES-1619	XES-1619-PA
EFR-314024-2	N/A	N/A	N/A	N/A	N/A	N/A	N/A
EFR-314024-3	N/A	N/A	N/A	N/A	N/A	XES-1619	XES-1619-PA
EFR-314024-4	XCG-31	XES-3124	XES-3124-PA	XCSQ-3124	XCSQ-3124-PA	XES-1619	XES-1619-PA
EFR-314024-5	N/A	N/A	N/A	N/A	N/A	XES-1619	XES-1619-PA
EFR-264924-1	XCG-26	XES-2624	XES-2624-PA	XCSQ-2624	XCSQ-2624-PA	XES-1619	XES-1619-PA
EFR-264924-2	N/A	N/A	N/A	N/A	N/A	N/A	N/A
EFR-264924-3	N/A	N/A	N/A	N/A	N/A	XES-1619	XES-1619-PA
EFR-264924-4	XCG-26	XES-2624	XES-2624-PA	XCSQ-2624	XCSQ-2624-PA	XES-1619	XES-1619-PA
EFR-264924-5	N/A	N/A	N/A	N/A	N/A	XES-1619	XES-1619-PA
EFR-314924-1	XCG-31	XES-3124	XES-3124-PA	XCSQ-3124	XCSQ-3124-PA	XES-1619	XES-1619-PA
EFR-314924-2	N/A	N/A	N/A	N/A	N/A	N/A	N/A
EFR-314924-3	N/A	N/A	N/A	N/A	N/A	XES-1619	XES-1619-PA
EFR-314924-4	XCG-31	XES-3124	XES-3124-PA	XCSQ-3124	XCSQ-3124-PA	XES-1619	XES-1619-PA
EFR-314924-5	N/A	N/A	N/A	N/A	N/A	XES-1619	XES-1619-PA

EMC

24" Wide Frames (1)

Equipment Support Options

Frame	Retractable Keyboard Trays		Work Surface Drawers [246]	Equipment Drawers [246]	
	Tray	Access Panel			
					(1) Block Indicate: 3 - 3.50" Drawer Front -LK option N/A for 3.5" 5 - 5.25" Drawer Front 7 - 7.00" Drawer Front 8 - 8.75" Drawer Front 10 - 10.5" Drawer Front 14 - 14.0" Drawer Front

Vertical

EFR-262624-1	N/A	N/A	XRSQ-2624	XDRQ-26(1)24	XDRQ-26(1)24-LK
EFR-262624-2	N/A	N/A	N/A	N/A	N/A
EFR-262624-3	N/A	N/A	N/A	N/A	N/A
EFR-262624-4	N/A	N/A	XRSQ-2624	XDRQ-26(1)24	XDRQ-26(1)24-LK
EFR-262624-5	N/A	N/A	N/A	N/A	N/A
EFR-312624-1	N/A	N/A	XRSQ-3124	XDRQ-31(1)24	XDRQ-31(1)24-LK
EFR-312624-2	N/A	N/A	N/A	N/A	N/A
EFR-312624-3	N/A	N/A	N/A	N/A	N/A
EFR-312624-4	N/A	N/A	XRSQ-3124	XDRQ-31(1)24	XDRQ-31(1)24-LK
EFR-312624-5	N/A	N/A	N/A	N/A	N/A
EFR-263324-1	N/A	N/A	XRSQ-2624	XDRQ-26(1)24	XDRQ-26(1)24-LK
EFR-263324-2	N/A	N/A	N/A	N/A	N/A
EFR-263324-3	N/A	N/A	N/A	N/A	N/A
EFR-263324-4	N/A	N/A	XRSQ-2624	XDRQ-26(1)24	XDRQ-26(1)24-LK
EFR-263324-5	N/A	N/A	N/A	N/A	N/A
EFR-313324-1	N/A	N/A	XRSQ-3124	XDRQ-31(1)24	XDRQ-31(1)24-LK
EFR-313324-2	N/A	N/A	N/A	N/A	N/A
EFR-313324-3	N/A	N/A	N/A	N/A	N/A
EFR-313324-4	N/A	N/A	XRSQ-3124	XDRQ-31(1)24	XDRQ-31(1)24-LK
EFR-313324-5	N/A	N/A	N/A	N/A	N/A
EFR-263524-1	N/A	N/A	XRSQ-2624	XDRQ-26(1)24	XDRQ-26(1)24-LK
EFR-263524-2	N/A	N/A	N/A	N/A	N/A
EFR-263524-3	N/A	N/A	N/A	N/A	N/A
EFR-263524-4	N/A	N/A	XRSQ-2624	XDRQ-26(1)24	XDRQ-26(1)24-LK
EFR-263524-5	N/A	N/A	N/A	N/A	N/A
EFR-313524-1	N/A	N/A	XRSQ-3124	XDRQ-31(1)24	XDRQ-31(1)24-LK
EFR-313524-2	N/A	N/A	N/A	N/A	N/A
EFR-313524-3	N/A	N/A	N/A	N/A	N/A
EFR-313524-4	N/A	N/A	XRSQ-3124	XDRQ-31(1)24	XDRQ-31(1)24-LK
EFR-313524-5	N/A	N/A	N/A	N/A	N/A
EFR-264024-1	N/A	N/A	XRSQ-2624	XDRQ-26(1)24	XDRQ-26(1)24-LK
EFR-264024-2	N/A	N/A	N/A	N/A	N/A
EFR-264024-3	N/A	N/A	N/A	N/A	N/A
EFR-264024-4	N/A	N/A	XRSQ-2624	XDRQ-26(1)24	XDRQ-26(1)24-LK
EFR-264024-5	N/A	N/A	N/A	N/A	N/A
EFR-314024-1	N/A	N/A	XRSQ-3124	XDRQ-31(1)24	XDRQ-31(1)24-LK
EFR-314024-2	N/A	N/A	N/A	N/A	N/A
EFR-314024-3	N/A	N/A	N/A	N/A	N/A
EFR-314024-4	N/A	N/A	XRSQ-3124	XDRQ-31(1)24	XDRQ-31(1)24-LK
EFR-314024-5	N/A	N/A	N/A	N/A	N/A
EFR-264924-1	N/A	N/A	XRSQ-2624	XDRQ-26(1)24	XDRQ-26(1)24-LK
EFR-264924-2	N/A	N/A	N/A	N/A	N/A
EFR-264924-3	N/A	N/A	N/A	N/A	N/A
EFR-264924-4	N/A	N/A	XRSQ-2624	XDRQ-26(1)24	XDRQ-26(1)24-LK
EFR-264924-5	N/A	N/A	N/A	N/A	N/A
EFR-314924-1	N/A	N/A	XRSQ-3124	XDRQ-31(1)24	XDRQ-31(1)24-LK
EFR-314924-2	N/A	N/A	N/A	N/A	N/A
EFR-314924-3	N/A	N/A	N/A	N/A	N/A
EFR-314924-4	N/A	N/A	XRSQ-3124	XDRQ-31(1)24	XDRQ-31(1)24-LK
EFR-314924-5	N/A	N/A	N/A	N/A	N/A

EMC

24" Wide Frames (2)

Mounting Angle Options

Frame	Panel Mounting Angles [240]					
	Thru-Hole		Tapped 1 Face		Tapped 2 Face	
	Front (pr)	Rear (pr)	Front (pr)	Rear (pr)	Front (pr)	Rear (pr)
	Supplied with frame					
Vertical						
EFR-265224-1	XMA-52	XMA-52	XMA-52-T	XMA-52-T	XMA-52-T2	XMA-52-T2
EFR-265224-2	fixed	fixed	N/A	N/A	N/A	N/A
EFR-265224-3	fixed	XMA-52	N/A	XMA-52-T	N/A	XMA-52-T2
EFR-265224-4	XMA-42	XMA-52	XMA-42-T	XMA-52-T	XMA-42-T2	XMA-52-T2
EFR-265224-5	XMA-42	fixed	XMA-42-T	N/A	XMA-42-T2	N/A
EFR-315224-1	XMA-52	XMA-52	XMA-52-T	XMA-52-T	XMA-52-T2	XMA-52-T2
EFR-315224-2	fixed	fixed	N/A	N/A	N/A	N/A
EFR-315224-3	fixed	XMA-52	N/A	XMA-52-T	N/A	XMA-52-T2
EFR-315224-4	XMA-42	XMA-52	XMA-42-T	XMA-52-T	XMA-42-T2	XMA-52-T2
EFR-315224-5	XMA-42	fixed	XMA-42-T	N/A	XMA-42-T2	N/A
EFR-266124-1	XMA-61	XMA-61	XMA-61-T	XMA-61-T	XMA-61-T2	XMA-61-T2
EFR-266124-2	fixed	fixed	N/A	N/A	N/A	N/A
EFR-266124-3	fixed	XMA-61	N/A	XMA-61-T	N/A	XMA-61-T2
EFR-266124-4	XMA-50	XMA-61	XMA-50-T	XMA-61-T	XMA-50-T2	XMA-61-T2
EFR-266124-5	XMA-50	fixed	XMA-50-T	N/A	XMA-50-T2	N/A
EFR-316124-1	XMA-61	XMA-61	XMA-61-T	XMA-61-T	XMA-61-T2	XMA-61-T2
EFR-316124-2	fixed	fixed	N/A	N/A	N/A	N/A
EFR-316124-3	fixed	XMA-61	N/A	XMA-61-T	N/A	XMA-61-T2
EFR-316124-4	XMA-50	XMA-61	XMA-50-T	XMA-61-T	XMA-50-T2	XMA-61-T2
EFR-316124-5	XMA-50	fixed	XMA-50-T	N/A	XMA-50-T2	N/A
EFR-266324-1	XMA-63	XMA-63	XMA-63-T	XMA-63-T	XMA-63-T2	XMA-63-T2
EFR-266324-2	fixed	fixed	N/A	N/A	N/A	N/A
EFR-266324-3	fixed	XMA-63	N/A	XMA-63-T	N/A	XMA-63-T2
EFR-266324-4	XMA-52	XMA-63	XMA-52-T	XMA-63-T	XMA-52-T2	XMA-63-T2
EFR-266324-5	XMA-52	fixed	XMA-52-T	N/A	XMA-52-T2	N/A
EFR-316324-1	XMA-63	XMA-63	XMA-63-T	XMA-63-T	XMA-63-T2	XMA-63-T2
EFR-316324-2	fixed	fixed	N/A	N/A	N/A	N/A
EFR-316324-3	fixed	XMA-63	N/A	XMA-63-T	N/A	XMA-63-T2
EFR-316324-4	XMA-52	XMA-63	XMA-52-T	XMA-63-T	XMA-52-T2	XMA-63-T2
EFR-316324-5	XMA-52	fixed	XMA-52-T	N/A	XMA-52-T2	N/A
EFR-267024-1	XMA-70	XMA-70	XMA-70-T	XMA-70-T	XMA-70-T2	XMA-70-T2
EFR-267024-2	fixed	fixed	N/A	N/A	N/A	N/A
EFR-267024-3	fixed	XMA-70	N/A	XMA-70-T	N/A	XMA-70-T2
EFR-267024-4	XMA-61	XMA-70	XMA-61-T	XMA-70-T	XMA-61-T2	XMA-70-T2
EFR-267024-5	XMA-61	fixed	XMA-61-T	N/A	XMA-61-T2	N/A
EFR-317024-1	XMA-70	XMA-70	XMA-70-T	XMA-70-T	XMA-70-T2	XMA-70-T2
EFR-317024-2	fixed	fixed	N/A	N/A	N/A	N/A
EFR-317024-3	fixed	XMA-70	N/A	XMA-70-T	N/A	XMA-70-T2
EFR-317024-4	XMA-61	XMA-70	XMA-61-T	XMA-70-T	XMA-61-T2	XMA-70-T2
EFR-317024-5	XMA-61	fixed	XMA-61-T	N/A	XMA-61-T2	N/A
EFR-267824-1	XMA-78	XMA-78	XMA-78-T	XMA-78-T	XMA-78-T2	XMA-78-T2
EFR-267824-2	fixed	fixed	N/A	N/A	N/A	N/A
EFR-267824-3	fixed	XMA-78	N/A	XMA-78-T	N/A	XMA-78-T2
EFR-267824-4	XMA-68	XMA-78	XMA-68-T	XMA-78-T	XMA-68-T2	XMA-78-T2
EFR-267824-5	XMA-68	fixed	XMA-68-T	N/A	XMA-68-T2	N/A
EFR-317824-1	XMA-78	XMA-78	XMA-78-T	XMA-78-T	XMA-78-T2	XMA-78-T2
EFR-317824-2	fixed	fixed	N/A	N/A	N/A	N/A
EFR-317824-3	fixed	XMA-78	N/A	XMA-78-T	N/A	XMA-78-T2
EFR-317824-4	XMA-68	XMA-78	XMA-68-T	XMA-78-T	XMA-68-T2	XMA-78-T2
EFR-317824-5	XMA-68	fixed	XMA-68-T	N/A	XMA-68-T2	N/A

EMC

24" Wide Frames (2)

Side, Top, & Bottom Options

Frame	Side Panels [241]		Top Panels [242]		Bottom Panels [242]
	Inside Removable Solid		Solid	Perforated	Solid
	Left	Right			

Vertical					
EFR-265224-1	ESPI-2652	ESPI-2652	ETP-2224	ETP-2224-PA	EBP-2624
EFR-265224-2	ESPI-2652	ESPI-2652	ETP-2224	ETP-2224-PA	EBP-2624
EFR-265224-3	ESPI-2652	ESPI-2652	ETP-2224	ETP-2224-PA	EBP-2624
EFR-265224-4	ESPI-2652	ESPI-2652	ETP-2224	ETP-2224-PA	EBP-2624
EFR-265224-5	ESPI-2652	ESPI-2652	ETP-2224	ETP-2224-PA	EBP-2624
EFR-315224-1	ESPI-3152	ESPI-3152	ETP-2824	ETP-2824-PA	EBP-3124
EFR-315224-2	ESPI-3152	ESPI-3152	ETP-2824	ETP-2824-PA	EBP-3124
EFR-315224-3	ESPI-3152	ESPI-3152	ETP-2824	ETP-2824-PA	EBP-3124
EFR-315224-4	ESPI-3152	ESPI-3152	ETP-2824	ETP-2824-PA	EBP-3124
EFR-315224-5	ESPI-3152	ESPI-3152	ETP-2824	ETP-2824-PA	EBP-3124
EFR-266124-1	ESPI-2661	ESPI-2661	ETP-2224	ETP-2224-PA	EBP-2624
EFR-266124-2	ESPI-2661	ESPI-2661	ETP-2224	ETP-2224-PA	EBP-2624
EFR-266124-3	ESPI-2661	ESPI-2661	ETP-2224	ETP-2224-PA	EBP-2624
EFR-266124-4	ESPI-2661	ESPI-2661	ETP-2224	ETP-2224-PA	EBP-2624
EFR-266124-5	ESPI-2661	ESPI-2661	ETP-2224	ETP-2224-PA	EBP-2624
EFR-316124-1	ESPI-3161	ESPI-3161	ETP-2824	ETP-2824-PA	EBP-3124
EFR-316124-2	ESPI-3161	ESPI-3161	ETP-2824	ETP-2824-PA	EBP-3124
EFR-316124-3	ESPI-3161	ESPI-3161	ETP-2824	ETP-2824-PA	EBP-3124
EFR-316124-4	ESPI-3161	ESPI-3161	ETP-2824	ETP-2824-PA	EBP-3124
EFR-316124-5	ESPI-3161	ESPI-3161	ETP-2824	ETP-2824-PA	EBP-3124
EFR-266324-1	ESPI-2663	ESPI-2663	ETP-2224	ETP-2224-PA	EBP-2624
EFR-266324-2	ESPI-2663	ESPI-2663	ETP-2224	ETP-2224-PA	EBP-2624
EFR-266324-3	ESPI-2663	ESPI-2663	ETP-2224	ETP-2224-PA	EBP-2624
EFR-266324-4	ESPI-2663	ESPI-2663	ETP-2224	ETP-2224-PA	EBP-2624
EFR-266324-5	ESPI-2663	ESPI-2663	ETP-2224	ETP-2224-PA	EBP-2624
EFR-316324-1	ESPI-3163	ESPI-3163	ETP-2824	ETP-2824-PA	EBP-3124
EFR-316324-2	ESPI-3163	ESPI-3163	ETP-2824	ETP-2824-PA	EBP-3124
EFR-316324-3	ESPI-3163	ESPI-3163	ETP-2824	ETP-2824-PA	EBP-3124
EFR-316324-4	ESPI-3163	ESPI-3163	ETP-2824	ETP-2824-PA	EBP-3124
EFR-316324-5	ESPI-3163	ESPI-3163	ETP-2824	ETP-2824-PA	EBP-3124
EFR-267024-1	ESPI-2670	ESPI-2670	ETP-2224	ETP-2224-PA	EBP-2624
EFR-267024-2	ESPI-2670	ESPI-2670	ETP-2224	ETP-2224-PA	EBP-2624
EFR-267024-3	ESPI-2670	ESPI-2670	ETP-2224	ETP-2224-PA	EBP-2624
EFR-267024-4	ESPI-2670	ESPI-2670	ETP-2224	ETP-2224-PA	EBP-2624
EFR-267024-5	ESPI-2670	ESPI-2670	ETP-2224	ETP-2224-PA	EBP-2624
EFR-317024-1	ESPI-3170	ESPI-3170	ETP-2824	ETP-2824-PA	EBP-3124
EFR-317024-2	ESPI-3170	ESPI-3170	ETP-2824	ETP-2824-PA	EBP-3124
EFR-317024-3	ESPI-3170	ESPI-3170	ETP-2824	ETP-2824-PA	EBP-3124
EFR-317024-4	ESPI-3170	ESPI-3170	ETP-2824	ETP-2824-PA	EBP-3124
EFR-317024-5	ESPI-3170	ESPI-3170	ETP-2824	ETP-2824-PA	EBP-3124
EFR-267824-1	ESPI-2678	ESPI-2678	ETP-2224	ETP-2224-PA	EBP-2624
EFR-267824-2	ESPI-2678	ESPI-2678	ETP-2224	ETP-2224-PA	EBP-2624
EFR-267824-3	ESPI-2678	ESPI-2678	ETP-2224	ETP-2224-PA	EBP-2624
EFR-267824-4	ESPI-2678	ESPI-2678	ETP-2224	ETP-2224-PA	EBP-2624
EFR-267824-5	ESPI-2678	ESPI-2678	ETP-2224	ETP-2224-PA	EBP-2624
EFR-317824-1	ESPI-3178	ESPI-3178	ETP-2824	ETP-2824-PA	EBP-3124
EFR-317824-2	ESPI-3178	ESPI-3178	ETP-2824	ETP-2824-PA	EBP-3124
EFR-317824-3	ESPI-3178	ESPI-3178	ETP-2824	ETP-2824-PA	EBP-3124
EFR-317824-4	ESPI-3178	ESPI-3178	ETP-2824	ETP-2824-PA	EBP-3124
EFR-317824-5	ESPI-3178	ESPI-3178	ETP-2824	ETP-2824-PA	EBP-3124

EMC

24" Wide Frames (2)

Front & Rear Options

Frame	Closure Panels [249]			Doors [243]	
	Solid Closure Panel			Door	
	Front	Rear	Slope	Front	Rear

(1) Block Indicate:

LH - Left Hinge
RH - Right Hinge

Vertical

EFR-265224-1	N/A	N/A	N/A	EDS-5224-(1)	EDS-5224-(1)
EFR-265224-2	EPN-5224	EPN-5224	N/A	N/A	N/A
EFR-265224-3	EPN-5224	N/A	N/A	N/A	EDS-5224-(1)
EFR-265224-4	N/A	N/A	N/A	EDS-4224-(1)	EDS-5224-(1)
EFR-265224-5	N/A	EPN-5224	N/A	EDS-4224-(1)	N/A
EFR-315224-1	N/A	N/A	N/A	EDS-5224-(1)	EDS-5224-(1)
EFR-315224-2	EPN-5224	EPN-5224	N/A	N/A	N/A
EFR-315224-3	EPN-5224	N/A	N/A	N/A	EDS-5224-(1)
EFR-315224-4	N/A	N/A	N/A	EDS-4224-(1)	EDS-5224-(1)
EFR-315224-5	N/A	EPN-5224	N/A	EDS-4224-(1)	N/A
EFR-266124-1	N/A	N/A	N/A	EDS-6124-(1)	EDS-6124-(1)
EFR-266124-2	EPN-6124	EPN-6124	N/A	N/A	N/A
EFR-266124-3	EPN-6124	N/A	N/A	N/A	EDS-6124-(1)
EFR-266124-4	N/A	N/A	N/A	EDS-5124-(1)	EDS-6124-(1)
EFR-266124-5	N/A	EPN-6124	N/A	EDS-5124-(1)	N/A
EFR-316124-1	N/A	N/A	N/A	EDS-6124-(1)	EDS-6124-(1)
EFR-316124-2	EPN-6124	EPN-6124	N/A	N/A	N/A
EFR-316124-3	EPN-6124	N/A	N/A	N/A	EDS-6124-(1)
EFR-316124-4	N/A	N/A	N/A	EDS-5124-(1)	EDS-6124-(1)
EFR-316124-5	N/A	EPN-6124	N/A	EDS-5124-(1)	N/A
EFR-266324-1	N/A	N/A	N/A	EDS-6324-(1)	EDS-6324-(1)
EFR-266324-2	EPN-6324	EPN-6324	N/A	N/A	N/A
EFR-266324-3	EPN-6324	N/A	N/A	N/A	EDS-6324-(1)
EFR-266324-4	N/A	N/A	N/A	EDS-5324-(1)	EDS-6324-(1)
EFR-266324-5	N/A	EPN-6324	N/A	EDS-5324-(1)	N/A
EFR-316324-1	N/A	N/A	N/A	EDS-6324-(1)	EDS-6324-(1)
EFR-316324-2	EPN-6324	EPN-6324	N/A	N/A	N/A
EFR-316324-3	EPN-6324	N/A	N/A	N/A	EDS-6324-(1)
EFR-316324-4	N/A	N/A	N/A	EDS-5324-(1)	EDS-6324-(1)
EFR-316324-5	N/A	EPN-6324	N/A	EDS-5324-(1)	N/A
EFR-267024-1	N/A	N/A	N/A	EDS-7024-(1)	EDS-7024-(1)
EFR-267024-2	EPN-7024	EPN-7024	N/A	N/A	N/A
EFR-267024-3	EPN-7024	N/A	N/A	N/A	EDS-7024-(1)
EFR-267024-4	N/A	N/A	N/A	EDS-6024-(1)	EDS-7024-(1)
EFR-267024-5	N/A	EPN-7024	N/A	EDS-6024-(1)	N/A
EFR-317024-1	N/A	N/A	N/A	EDS-7024-(1)	EDS-7024-(1)
EFR-317024-2	EPN-7024	EPN-7024	N/A	N/A	N/A
EFR-317024-3	EPN-7024	N/A	N/A	N/A	EDS-7024-(1)
EFR-317024-4	N/A	N/A	N/A	EDS-6024-(1)	EDS-7024-(1)
EFR-317024-5	N/A	EPN-7024	N/A	EDS-6024-(1)	N/A
EFR-267824-1	N/A	N/A	N/A	EDS-7824-(1)	EDS-7824-(1)
EFR-267824-2	EPN-7824	EPN-7824	N/A	N/A	N/A
EFR-267824-3	EPN-7824	N/A	N/A	N/A	EDS-7824-(1)
EFR-267824-4	N/A	N/A	N/A	EDS-6824-(1)	EDS-7824-(1)
EFR-267824-5	N/A	EPN-7824	N/A	EDS-6824-(1)	N/A
EFR-317824-1	N/A	N/A	N/A	EDS-7824-(1)	EDS-7824-(1)
EFR-317824-2	EPN-7824	EPN-7824	N/A	N/A	N/A
EFR-317824-3	EPN-7824	N/A	N/A	N/A	EDS-7824-(1)
EFR-317824-4	N/A	N/A	N/A	EDS-6824-(1)	EDS-7824-(1)
EFR-317824-5	N/A	EPN-7824	N/A	EDS-6824-(1)	N/A

EMC

24" Wide Frames (2)

Access Area Options

Frame	Closure Panels [249]		Blowers [248]	
	Solid Closure Panel	Blower Panel	Blower	
			300 CFM	350 CFM
		This panel must be ordered in conjunction with a blower option.	Remember to order a blower panel.	Remember to order a blower panel.

Vertical

EFR-265224-1	N/A	N/A	N/A	N/A
EFR-265224-2	N/A	N/A	N/A	N/A
EFR-265224-3	N/A	N/A	N/A	N/A
EFR-265224-4	EPN-0824	EPN-0824-BP	BL-300EG	BL-350EG
EFR-265224-5	EPN-0824	EPN-0824-BP	BL-300EG	BL-350EG
EFR-315224-1	N/A	N/A	N/A	N/A
EFR-315224-2	N/A	N/A	N/A	N/A
EFR-315224-3	N/A	N/A	N/A	N/A
EFR-315224-4	EPN-0824	EPN-0824-BP	BL-300EG	BL-350EG
EFR-315224-5	EPN-0824	EPN-0824-BP	BL-300EG	BL-350EG
EFR-266124-1	N/A	N/A	N/A	N/A
EFR-266124-2	N/A	N/A	N/A	N/A
EFR-266124-3	N/A	N/A	N/A	N/A
EFR-266124-4	EPN-0824	EPN-0824-BP	BL-300EG	BL-350EG
EFR-266124-5	EPN-0824	EPN-0824-BP	BL-300EG	BL-350EG
EFR-316124-1	N/A	N/A	N/A	N/A
EFR-316124-2	N/A	N/A	N/A	N/A
EFR-316124-3	N/A	N/A	N/A	N/A
EFR-316124-4	EPN-0824	EPN-0824-BP	BL-300EG	BL-350EG
EFR-316124-5	EPN-0824	EPN-0824-BP	BL-300EG	BL-350EG
EFR-266324-1	N/A	N/A	N/A	N/A
EFR-266324-2	N/A	N/A	N/A	N/A
EFR-266324-3	N/A	N/A	N/A	N/A
EFR-266324-4	EPN-0824	EPN-0824-BP	BL-300EG	BL-350EG
EFR-266324-5	EPN-0824	EPN-0824-BP	BL-300EG	BL-350EG
EFR-316324-1	N/A	N/A	N/A	N/A
EFR-316324-2	N/A	N/A	N/A	N/A
EFR-316324-3	N/A	N/A	N/A	N/A
EFR-316324-4	EPN-0824	EPN-0824-BP	BL-300EG	BL-350EG
EFR-316324-5	EPN-0824	EPN-0824-BP	BL-300EG	BL-350EG
EFR-267024-1	N/A	N/A	N/A	N/A
EFR-267024-2	N/A	N/A	N/A	N/A
EFR-267024-3	N/A	N/A	N/A	N/A
EFR-267024-4	EPN-0824	EPN-0824-BP	BL-300EG	BL-350EG
EFR-267024-5	EPN-0824	EPN-0824-BP	BL-300EG	BL-350EG
EFR-317024-1	N/A	N/A	N/A	N/A
EFR-317024-2	N/A	N/A	N/A	N/A
EFR-317024-3	N/A	N/A	N/A	N/A
EFR-317024-4	EPN-0824	EPN-0824-BP	BL-300EG	BL-350EG
EFR-317024-5	EPN-0824	EPN-0824-BP	BL-300EG	BL-350EG
EFR-267824-1	N/A	N/A	N/A	N/A
EFR-267824-2	N/A	N/A	N/A	N/A
EFR-267824-3	N/A	N/A	N/A	N/A
EFR-267824-4	EPN-0824	EPN-0824-BP	BL-300EG	BL-350EG
EFR-267824-5	EPN-0824	EPN-0824-BP	BL-300EG	BL-350EG
EFR-317824-1	N/A	N/A	N/A	N/A
EFR-317824-2	N/A	N/A	N/A	N/A
EFR-317824-3	N/A	N/A	N/A	N/A
EFR-317824-4	EPN-0824	EPN-0824-BP	BL-300EG	BL-350EG
EFR-317824-5	EPN-0824	EPN-0824-BP	BL-300EG	BL-350EG

EMC

24" Wide Frames (2)

Base Options

Frame	Additional Base Options [251]		
	Pontoon Base	Fork Lift Base	Anti Tip Base
Vertical			
EFR-265224-1	XPB-2624	XPB-2624-FL	XPB-2624-AT
EFR-265224-2	XPB-2624	XPB-2624-FL	XPB-2624-AT
EFR-265224-3	XPB-2624	XPB-2624-FL	XPB-2624-AT
EFR-265224-4	XPB-2624	XPB-2624-FL	XPB-2624-AT
EFR-265224-5	XPB-2624	XPB-2624-FL	XPB-2624-AT
EFR-315224-1	XPB-3124	XPB-3124-FL	XPB-3124-AT
EFR-315224-2	XPB-3124	XPB-3124-FL	XPB-3124-AT
EFR-315224-3	XPB-3124	XPB-3124-FL	XPB-3124-AT
EFR-315224-4	XPB-3124	XPB-3124-FL	XPB-3124-AT
EFR-315224-5	XPB-3124	XPB-3124-FL	XPB-3124-AT
EFR-266124-1	XPB-2624	XPB-2624-FL	XPB-2624-AT
EFR-266124-2	XPB-2624	XPB-2624-FL	XPB-2624-AT
EFR-266124-3	XPB-2624	XPB-2624-FL	XPB-2624-AT
EFR-266124-4	XPB-2624	XPB-2624-FL	XPB-2624-AT
EFR-266124-5	XPB-2624	XPB-2624-FL	XPB-2624-AT
EFR-316124-1	XPB-3124	XPB-3124-FL	XPB-3124-AT
EFR-316124-2	XPB-3124	XPB-3124-FL	XPB-3124-AT
EFR-316124-3	XPB-3124	XPB-3124-FL	XPB-3124-AT
EFR-316124-4	XPB-3124	XPB-3124-FL	XPB-3124-AT
EFR-316124-5	XPB-3124	XPB-3124-FL	XPB-3124-AT
EFR-266324-1	XPB-2624	XPB-2624-FL	XPB-2624-AT
EFR-266324-2	XPB-2624	XPB-2624-FL	XPB-2624-AT
EFR-266324-3	XPB-2624	XPB-2624-FL	XPB-2624-AT
EFR-266324-4	XPB-2624	XPB-2624-FL	XPB-2624-AT
EFR-266324-5	XPB-2624	XPB-2624-FL	XPB-2624-AT
EFR-316324-1	XPB-3124	XPB-3124-FL	XPB-3124-AT
EFR-316324-2	XPB-3124	XPB-3124-FL	XPB-3124-AT
EFR-316324-3	XPB-3124	XPB-3124-FL	XPB-3124-AT
EFR-316324-4	XPB-3124	XPB-3124-FL	XPB-3124-AT
EFR-316324-5	XPB-3124	XPB-3124-FL	XPB-3124-AT
EFR-267024-1	XPB-2624	XPB-2624-FL	XPB-2624-AT
EFR-267024-2	XPB-2624	XPB-2624-FL	XPB-2624-AT
EFR-267024-3	XPB-2624	XPB-2624-FL	XPB-2624-AT
EFR-267024-4	XPB-2624	XPB-2624-FL	XPB-2624-AT
EFR-267024-5	XPB-2624	XPB-2624-FL	XPB-2624-AT
EFR-317024-1	XPB-3124	XPB-3124-FL	XPB-3124-AT
EFR-317024-2	XPB-3124	XPB-3124-FL	XPB-3124-AT
EFR-317024-3	XPB-3124	XPB-3124-FL	XPB-3124-AT
EFR-317024-4	XPB-3124	XPB-3124-FL	XPB-3124-AT
EFR-317024-5	XPB-3124	XPB-3124-FL	XPB-3124-AT
EFR-267824-1	XPB-2624	XPB-2624-FL	XPB-2624-AT
EFR-267824-2	XPB-2624	XPB-2624-FL	XPB-2624-AT
EFR-267824-3	XPB-2624	XPB-2624-FL	XPB-2624-AT
EFR-267824-4	XPB-2624	XPB-2624-FL	XPB-2624-AT
EFR-267824-5	XPB-2624	XPB-2624-FL	XPB-2624-AT
EFR-317824-1	XPB-3124	XPB-3124-FL	XPB-3124-AT
EFR-317824-2	XPB-3124	XPB-3124-FL	XPB-3124-AT
EFR-317824-3	XPB-3124	XPB-3124-FL	XPB-3124-AT
EFR-317824-4	XPB-3124	XPB-3124-FL	XPB-3124-AT
EFR-317824-5	XPB-3124	XPB-3124-FL	XPB-3124-AT

EMC

24" Wide Frames (2)

Equipment Support Options

Frame	Chassis Guides [244]	Fixed Equipment Shelves [245]		Pull Out Shelves [245]		Monitor Shelves [245]	
		Solid	Perforated	Solid	Perforated	Solid	Perforated

Vertical

EFR-265224-1	XCG-26	XES-2624	XES-2624-PA	XCSQ-2624	XCSQ-2624-PA	XES-1619	XES-1619-PA
EFR-265224-2	N/A	N/A	N/A	N/A	N/A	N/A	N/A
EFR-265224-3	N/A	N/A	N/A	N/A	N/A	XES-1619	XES-1619-PA
EFR-265224-4	XCG-26	XES-2624	XES-2624-PA	XCSQ-2624	XCSQ-2624-PA	XES-1619	XES-1619-PA
EFR-265224-5	N/A	N/A	N/A	N/A	N/A	XES-1619	XES-1619-PA
EFR-315224-1	XCG-31	XES-3124	XES-3124-PA	XCSQ-3124	XCSQ-3124-PA	XES-1619	XES-1619-PA
EFR-315224-2	N/A	N/A	N/A	N/A	N/A	N/A	N/A
EFR-315224-3	N/A	N/A	N/A	N/A	N/A	XES-1619	XES-1619-PA
EFR-315224-4	XCG-31	XES-3124	XES-3124-PA	XCSQ-3124	XCSQ-3124-PA	XES-1619	XES-1619-PA
EFR-315224-5	N/A	N/A	N/A	N/A	N/A	XES-1619	XES-1619-PA
EFR-266124-1	XCG-26	XES-2624	XES-2624-PA	XCSQ-2624	XCSQ-2624-PA	XES-1619	XES-1619-PA
EFR-266124-2	N/A	N/A	N/A	N/A	N/A	N/A	N/A
EFR-266124-3	N/A	N/A	N/A	N/A	N/A	XES-1619	XES-1619-PA
EFR-266124-4	XCG-26	XES-2624	XES-2624-PA	XCSQ-2624	XCSQ-2624-PA	XES-1619	XES-1619-PA
EFR-266124-5	N/A	N/A	N/A	N/A	N/A	XES-1619	XES-1619-PA
EFR-316124-1	XCG-31	XES-3124	XES-3124-PA	XCSQ-3124	XCSQ-3124-PA	XES-1619	XES-1619-PA
EFR-316124-2	N/A	N/A	N/A	N/A	N/A	N/A	N/A
EFR-316124-3	N/A	N/A	N/A	N/A	N/A	XES-1619	XES-1619-PA
EFR-316124-4	XCG-31	XES-3124	XES-3124-PA	XCSQ-3124	XCSQ-3124-PA	XES-1619	XES-1619-PA
EFR-316124-5	N/A	N/A	N/A	N/A	N/A	XES-1619	XES-1619-PA
EFR-266324-1	XCG-26	XES-2624	XES-2624-PA	XCSQ-2624	XCSQ-2624-PA	XES-1619	XES-1619-PA
EFR-266324-2	N/A	N/A	N/A	N/A	N/A	N/A	N/A
EFR-266324-3	N/A	N/A	N/A	N/A	N/A	XES-1619	XES-1619-PA
EFR-266324-4	XCG-26	XES-2624	XES-2624-PA	XCSQ-2624	XCSQ-2624-PA	XES-1619	XES-1619-PA
EFR-266324-5	N/A	N/A	N/A	N/A	N/A	XES-1619	XES-1619-PA
EFR-316324-1	XCG-31	XES-3124	XES-3124-PA	XCSQ-3124	XCSQ-3124-PA	XES-1619	XES-1619-PA
EFR-316324-2	N/A	N/A	N/A	N/A	N/A	N/A	N/A
EFR-316324-3	N/A	N/A	N/A	N/A	N/A	XES-1619	XES-1619-PA
EFR-316324-4	XCG-31	XES-3124	XES-3124-PA	XCSQ-3124	XCSQ-3124-PA	XES-1619	XES-1619-PA
EFR-316324-5	N/A	N/A	N/A	N/A	N/A	XES-1619	XES-1619-PA
EFR-267024-1	XCG-26	XES-2624	XES-2624-PA	XCSQ-2624	XCSQ-2624-PA	XES-1619	XES-1619-PA
EFR-267024-2	N/A	N/A	N/A	N/A	N/A	N/A	N/A
EFR-267024-3	N/A	N/A	N/A	N/A	N/A	XES-1619	XES-1619-PA
EFR-267024-4	XCG-26	XES-2624	XES-2624-PA	XCSQ-2624	XCSQ-2624-PA	XES-1619	XES-1619-PA
EFR-267024-5	N/A	N/A	N/A	N/A	N/A	XES-1619	XES-1619-PA
EFR-317024-1	XCG-31	XES-3124	XES-3124-PA	XCSQ-3124	XCSQ-3124-PA	XES-1619	XES-1619-PA
EFR-317024-2	N/A	N/A	N/A	N/A	N/A	N/A	N/A
EFR-317024-3	N/A	N/A	N/A	N/A	N/A	XES-1619	XES-1619-PA
EFR-317024-4	XCG-31	XES-3124	XES-3124-PA	XCSQ-3124	XCSQ-3124-PA	XES-1619	XES-1619-PA
EFR-317024-5	N/A	N/A	N/A	N/A	N/A	XES-1619	XES-1619-PA
EFR-267824-1	XCG-26	XES-2624	XES-2624-PA	XCSQ-2624	XCSQ-2624-PA	XES-1619	XES-1619-PA
EFR-267824-2	N/A	N/A	N/A	N/A	N/A	N/A	N/A
EFR-267824-3	N/A	N/A	N/A	N/A	N/A	XES-1619	XES-1619-PA
EFR-267824-4	XCG-26	XES-2624	XES-2624-PA	XCSQ-2624	XCSQ-2624-PA	XES-1619	XES-1619-PA
EFR-267824-5	N/A	N/A	N/A	N/A	N/A	XES-1619	XES-1619-PA
EFR-317824-1	XCG-31	XES-3124	XES-3124-PA	XCSQ-3124	XCSQ-3124-PA	XES-1619	XES-1619-PA
EFR-317824-2	N/A	N/A	N/A	N/A	N/A	N/A	N/A
EFR-317824-3	N/A	N/A	N/A	N/A	N/A	XES-1619	XES-1619-PA
EFR-317824-4	XCG-31	XES-3124	XES-3124-PA	XCSQ-3124	XCSQ-3124-PA	XES-1619	XES-1619-PA
EFR-317824-5	N/A	N/A	N/A	N/A	N/A	XES-1619	XES-1619-PA

EMC

24" Wide Frames (2)

Equipment Support Options

Frame	Retractable Keyboard Trays		Work Surface Drawers [246]	Equipment Drawers [246]	
	Tray	Access Panel			
					(1) Block Indicate: 3 - 3.50" Drawer Front -LK option N/A for 3.5" 5 - 5.25" Drawer Front 7 - 7.00" Drawer Front 8 - 8.75" Drawer Front 10 - 10.5" Drawer Front 14 - 14.0" Drawer Front

Vertical

EFR-265224-1	N/A	N/A	XRSQ-2624	XDRQ-26(1)24	XDRQ-26(1)24-LK
EFR-265224-2	N/A	N/A	N/A	N/A	N/A
EFR-265224-3	N/A	N/A	N/A	N/A	N/A
EFR-265224-4	N/A	N/A	XRSQ-2624	XDRQ-26(1)24	XDRQ-26(1)24-LK
EFR-265224-5	N/A	N/A	N/A	N/A	N/A
EFR-315224-1	N/A	N/A	XRSQ-3124	XDRQ-31(1)24	XDRQ-31(1)24-LK
EFR-315224-2	N/A	N/A	N/A	N/A	N/A
EFR-315224-3	N/A	N/A	N/A	N/A	N/A
EFR-315224-4	N/A	N/A	XRSQ-3124	XDRQ-31(1)24	XDRQ-31(1)24-LK
EFR-315224-5	N/A	N/A	N/A	N/A	N/A
EFR-266124-1	N/A	N/A	XRSQ-2624	XDRQ-26(1)24	XDRQ-26(1)24-LK
EFR-266124-2	N/A	N/A	N/A	N/A	N/A
EFR-266124-3	N/A	N/A	N/A	N/A	N/A
EFR-266124-4	N/A	N/A	XRSQ-2624	XDRQ-26(1)24	XDRQ-26(1)24-LK
EFR-266124-5	N/A	N/A	N/A	N/A	N/A
EFR-316124-1	N/A	N/A	XRSQ-3124	XDRQ-31(1)24	XDRQ-31(1)24-LK
EFR-316124-2	N/A	N/A	N/A	N/A	N/A
EFR-316124-3	N/A	N/A	N/A	N/A	N/A
EFR-316124-4	N/A	N/A	XRSQ-3124	XDRQ-31(1)24	XDRQ-31(1)24-LK
EFR-316124-5	N/A	N/A	N/A	N/A	N/A
EFR-266324-1	N/A	N/A	XRSQ-2624	XDRQ-26(1)24	XDRQ-26(1)24-LK
EFR-266324-2	N/A	N/A	N/A	N/A	N/A
EFR-266324-3	N/A	N/A	N/A	N/A	N/A
EFR-266324-4	N/A	N/A	XRSQ-2624	XDRQ-26(1)24	XDRQ-26(1)24-LK
EFR-266324-5	N/A	N/A	N/A	N/A	N/A
EFR-316324-1	N/A	N/A	XRSQ-3124	XDRQ-31(1)24	XDRQ-31(1)24-LK
EFR-316324-2	N/A	N/A	N/A	N/A	N/A
EFR-316324-3	N/A	N/A	N/A	N/A	N/A
EFR-316324-4	N/A	N/A	XRSQ-3124	XDRQ-31(1)24	XDRQ-31(1)24-LK
EFR-316324-5	N/A	N/A	N/A	N/A	N/A
EFR-267024-1	N/A	N/A	XRSQ-2624	XDRQ-26(1)24	XDRQ-26(1)24-LK
EFR-267024-2	N/A	N/A	N/A	N/A	N/A
EFR-267024-3	N/A	N/A	N/A	N/A	N/A
EFR-267024-4	N/A	N/A	XRSQ-2624	XDRQ-26(1)24	XDRQ-26(1)24-LK
EFR-267024-5	N/A	N/A	N/A	N/A	N/A
EFR-317024-1	N/A	N/A	XRSQ-3124	XDRQ-31(1)24	XDRQ-31(1)24-LK
EFR-317024-2	N/A	N/A	N/A	N/A	N/A
EFR-317024-3	N/A	N/A	N/A	N/A	N/A
EFR-317024-4	N/A	N/A	XRSQ-3124	XDRQ-31(1)24	XDRQ-31(1)24-LK
EFR-317024-5	N/A	N/A	N/A	N/A	N/A
EFR-267824-1	N/A	N/A	XRSQ-2624	XDRQ-26(1)24	XDRQ-26(1)24-LK
EFR-267824-2	N/A	N/A	N/A	N/A	N/A
EFR-267824-3	N/A	N/A	N/A	N/A	N/A
EFR-267824-4	N/A	N/A	XRSQ-2624	XDRQ-26(1)24	XDRQ-26(1)24-LK
EFR-267824-5	N/A	N/A	N/A	N/A	N/A
EFR-317824-1	N/A	N/A	XRSQ-3124	XDRQ-31(1)24	XDRQ-31(1)24-LK
EFR-317824-2	N/A	N/A	N/A	N/A	N/A
EFR-317824-3	N/A	N/A	N/A	N/A	N/A
EFR-317824-4	N/A	N/A	XRSQ-3124	XDRQ-31(1)24	XDRQ-31(1)24-LK
EFR-317824-5	N/A	N/A	N/A	N/A	N/A

EMC

24" Wide Frames (3)

Mounting Angle Options

Frame	Panel Mounting Angles [240]					
	Thru-Hole		Tapped 1 Face		Tapped 2 Face	
	Front (pr)	Rear (pr)	Front (pr)	Rear (pr)	Front (pr)	Rear (pr)
	Supplied with frame					

Slope Front

EFRS-261724-1	XMA-26	XMA-49	XMA-26-T	XMA-49-T	XMA-26-T2	XMA-49-T2
EFRS-261724-2	fixed	fixed	N/A	N/A	N/A	N/A
EFRS-261724-3	fixed	XMA-49	XMA-26-T	XMA-49-T	XMA-26-T2	XMA-49-T2
EFRS-261724-4	XMA-26	fixed	XMA-26-T	N/A	XMA-26-T2	N/A
EFRS-261724-WT-1	XMA-24	XMA-49	XMA-24-T	XMA-49-T	XMA-24-T2	XMA-49-T2
EFRS-261724-WT-2	fixed	fixed	N/A	N/A	N/A	N/A
EFRS-261724-WT-3	fixed	XMA-49	XMA-24-T	XMA-49-T	XMA-24-T2	XMA-49-T2
EFRS-261724-WT-4	XMA-24	fixed	XMA-24-T	N/A	XMA-24-T2	N/A
EFRS-311724-1	XMA-26	XMA-49	XMA-26-T	XMA-49-T	XMA-26-T2	XMA-49-T2
EFRS-311724-2	fixed	fixed	N/A	N/A	N/A	N/A
EFRS-311724-3	fixed	XMA-49	XMA-26-T	XMA-49-T	XMA-26-T2	XMA-49-T2
EFRS-311724-4	XMA-26	fixed	XMA-26-T	N/A	XMA-26-T2	N/A
EFRS-311724-WT-1	XMA-24	XMA-49	XMA-24-T	XMA-49-T	XMA-24-T2	XMA-49-T2
EFRS-311724-WT-2	fixed	fixed	N/A	N/A	N/A	N/A
EFRS-311724-WT-3	fixed	XMA-49	XMA-24-T	XMA-49-T	XMA-24-T2	XMA-49-T2
EFRS-311724-WT-4	XMA-24	fixed	XMA-24-T	N/A	XMA-24-T2	N/A
EFRS-262124-1	XMA-26	XMA-52	XMA-26-T	XMA-52-T	XMA-26-T2	XMA-52-T2
EFRS-262124-2	fixed	fixed	N/A	N/A	N/A	N/A
EFRS-262124-3	fixed	XMA-52	XMA-26-T	XMA-52-T	XMA-26-T2	XMA-52-T2
EFRS-262124-4	XMA-26	fixed	XMA-26-T	N/A	XMA-26-T2	N/A
EFRS-262124-WT-1	XMA-24	XMA-52	XMA-24-T	XMA-52-T	XMA-24-T2	XMA-52-T2
EFRS-262124-WT-2	fixed	fixed	N/A	N/A	N/A	N/A
EFRS-262124-WT-3	fixed	XMA-52	XMA-24-T	XMA-52-T	XMA-24-T2	XMA-52-T2
EFRS-262124-WT-4	XMA-24	fixed	XMA-24-T	N/A	XMA-24-T2	N/A
EFRS-312124-1	XMA-26	XMA-52	XMA-26-T	XMA-52-T	XMA-26-T2	XMA-52-T2
EFRS-312124-2	fixed	fixed	N/A	N/A	N/A	N/A
EFRS-312124-3	fixed	XMA-52	XMA-26-T	XMA-52-T	XMA-26-T2	XMA-52-T2
EFRS-312124-4	XMA-26	fixed	XMA-26-T	N/A	XMA-26-T2	N/A
EFRS-312124-WT-1	XMA-24	XMA-52	XMA-24-T	XMA-52-T	XMA-24-T2	XMA-52-T2
EFRS-312124-WT-2	fixed	fixed	N/A	N/A	N/A	N/A
EFRS-312124-WT-3	fixed	XMA-52	XMA-24-T	XMA-52-T	XMA-24-T2	XMA-52-T2
EFRS-312124-WT-4	XMA-24	fixed	XMA-24-T	N/A	XMA-24-T2	N/A

EMC

24" Wide Frames (3)

Side, Top, & Bottom Options

Frame	Side Panels [241]		Top Panels [242]		Bottom Panels [242]
	Inside Removable Solid		Solid	Perforated	Solid
	Left	Right			

Slope Front

EFRS-261724-1	ESPI-2617	ESPI-2617	ETP-1524	ETP-1524-PA	EBP-2624
EFRS-261724-2	ESPI-2617	ESPI-2617	ETP-1524	ETP-1524-PA	EBP-2624
EFRS-261724-3	ESPI-2617	ESPI-2617	ETP-1524	ETP-1524-PA	EBP-2624
EFRS-261724-4	ESPI-2617	ESPI-2617	ETP-1524	ETP-1524-PA	EBP-2624
EFRS-261724-WT-1	ESPI-2617	ESPI-2617	ETP-1524	ETP-1524-PA	EBP-2624
EFRS-261724-WT-2	ESPI-2617	ESPI-2617	ETP-1524	ETP-1524-PA	EBP-2624
EFRS-261724-WT-3	ESPI-2617	ESPI-2617	ETP-1524	ETP-1524-PA	EBP-2624
EFRS-261724-WT-4	ESPI-2617	ESPI-2617	ETP-1524	ETP-1524-PA	EBP-2624
EFRS-311724-1	ESPI-3117	ESPI-3117	ETP-2124	ETP-2124-PA	EBP-3124
EFRS-311724-2	ESPI-3117	ESPI-3117	ETP-2124	ETP-2124-PA	EBP-3124
EFRS-311724-3	ESPI-3117	ESPI-3117	ETP-2124	ETP-2124-PA	EBP-3124
EFRS-311724-4	ESPI-3117	ESPI-3117	ETP-2124	ETP-2124-PA	EBP-3124
EFRS-311724-WT-1	ESPI-3117	ESPI-3117	ETP-2124	ETP-2124-PA	EBP-3124
EFRS-311724-WT-2	ESPI-3117	ESPI-3117	ETP-2124	ETP-2124-PA	EBP-3124
EFRS-311724-WT-3	ESPI-3117	ESPI-3117	ETP-2124	ETP-2124-PA	EBP-3124
EFRS-311724-WT-4	ESPI-3117	ESPI-3117	ETP-2124	ETP-2124-PA	EBP-3124
EFRS-262124-1	ESPI-2621	ESPI-2621	ETP-1424	ETP-1424-PA	EBP-2624
EFRS-262124-2	ESPI-2621	ESPI-2621	ETP-1424	ETP-1424-PA	EBP-2624
EFRS-262124-3	ESPI-2621	ESPI-2621	ETP-1424	ETP-1424-PA	EBP-2624
EFRS-262124-4	ESPI-2621	ESPI-2621	ETP-1424	ETP-1424-PA	EBP-2624
EFRS-262124-WT-1	ESPI-2621	ESPI-2621	ETP-1424	ETP-1424-PA	EBP-2624
EFRS-262124-WT-2	ESPI-2621	ESPI-2621	ETP-1424	ETP-1424-PA	EBP-2624
EFRS-262124-WT-3	ESPI-2621	ESPI-2621	ETP-1424	ETP-1424-PA	EBP-2624
EFRS-262124-WT-4	ESPI-2621	ESPI-2621	ETP-1424	ETP-1424-PA	EBP-2624
EFRS-312124-1	ESPI-3121	ESPI-3121	ETP-1924	ETP-1924-PA	EBP-3124
EFRS-312124-2	ESPI-3121	ESPI-3121	ETP-1924	ETP-1924-PA	EBP-3124
EFRS-312124-3	ESPI-3121	ESPI-3121	ETP-1924	ETP-1924-PA	EBP-3124
EFRS-312124-4	ESPI-3121	ESPI-3121	ETP-1924	ETP-1924-PA	EBP-3124
EFRS-312124-WT-1	ESPI-3121	ESPI-3121	ETP-1924	ETP-1924-PA	EBP-3124
EFRS-312124-WT-2	ESPI-3121	ESPI-3121	ETP-1924	ETP-1924-PA	EBP-3124
EFRS-312124-WT-3	ESPI-3121	ESPI-3121	ETP-1924	ETP-1924-PA	EBP-3124
EFRS-312124-WT-4	ESPI-3121	ESPI-3121	ETP-1924	ETP-1924-PA	EBP-3124

24" Wide Frames (3)

Front & Rear Options

Frame	Closure Panels [249]			Doors [243]	
	Solid Closure Panel			Door	
	Front	Rear	Slope	Front	Rear
				(1) Block Indicate: LH - Left Hinge RH - Right Hinge	

Slope Front

EFRS-261724-1	N/A	N/A	EPN-1724	EDS-2624-(1)	EDS-4524-(1)
EFRS-261724-2	EPN-2624	EPN-45247	EPN-1724	N/A	N/A
EFRS-261724-3	EPN-2624	N/A	EPN-1724	N/A	EDS-4524-(1)
EFRS-261724-4	N/A	EPN-4524	EPN-1724	EDS-2624-(1)	N/A
EFRS-261724-WT-1	N/A	N/A	EPN-1724	EDS-2324-(1)	EDS-4524-(1)
EFRS-261724-WT-2	EPN-2224	EPN-4524	EPN-1724	N/A	N/A
EFRS-261724-WT-3	EPN-2224	N/A	EPN-1724	N/A	EDS-4524-(1)
EFRS-261724-WT-4	N/A	EPN-4524	EPN-1724	EDS-2324-(1)	N/A
EFRS-311724-1	N/A	N/A	EPN-1724	EDS-2624-(1)	EDS-4524-(1)
EFRS-311724-2	EPN-2624	EPN-4524	EPN-1724	N/A	N/A
EFRS-311724-3	EPN-2624	N/A	EPN-1724	N/A	EDS-4524-(1)
EFRS-311724-4	N/A	EPN-4524	EPN-1724	EDS-2624-(1)	N/A
EFRS-311724-WT-1	N/A	N/A	EPN-1724	EDS-2324-(1)	EDS-4524-(1)
EFRS-311724-WT-2	EPN-2224	EPN-4524	EPN-1724	N/A	N/A
EFRS-311724-WT-3	EPN-2224	N/A	EPN-1724	N/A	EDS-4524-(1)
EFRS-311724-WT-4	N/A	EPN-4524	EPN-1724	EDS-2324-(1)	N/A
EFRS-262124-1	N/A	N/A	EPN-2124	EDS-2624-(1)	EDS-4924-(1)
EFRS-262124-2	EPN-2624	EPN-4924	EPN-2124	N/A	N/A
EFRS-262124-3	EPN-2624	N/A	EPN-2124	N/A	EDS-4924-(1)
EFRS-262124-4	N/A	EPN-4924	EPN-2124	EDS-2624-(1)	N/A
EFRS-262124-WT-1	N/A	N/A	EPN-2124	EDS-2324-(1)	EDS-4924-(1)
EFRS-262124-WT-2	EPN-2224	EPN-4924	EPN-2124	N/A	N/A
EFRS-262124-WT-3	EPN-2224	N/A	EPN-2124	N/A	EDS-4924-(1)
EFRS-262124-WT-4	N/A	EPN-4924	EPN-2124	EDS-2324-(1)	N/A
EFRS-312124-1	N/A	N/A	EPN-2124	EDS-2624-(1)	EDS-4924-(1)
EFRS-312124-2	EPN-2624	EPN-4924	EPN-2124	N/A	N/A
EFRS-312124-3	EPN-2624	N/A	EPN-2124	N/A	EDS-4924-(1)
EFRS-312124-4	N/A	EPN-4924	EPN-2124	EDS-2624-(1)	N/A
EFRS-312124-WT-1	N/A	N/A	EPN-2124	EDS-2324-(1)	EDS-4924-(1)
EFRS-312124-WT-2	EPN-2224	EPN-4924	EPN-2124	N/A	N/A
EFRS-312124-WT-3	EPN-2224	N/A	EPN-2124	N/A	EDS-4924-(1)
EFRS-312124-WT-4	N/A	EPN-4924	EPN-2124	EDS-2324-(1)	N/A

EMC

24" Wide Frames (3)

Access Area Options

Frame	Closure Panels [249]		Blowers [248]	
	Solid Closure Panel	Blower Panel	Blower	
			300 CFM	350 CFM
Slope Front				
EFRS-261724-1	N/A	N/A	N/A	N/A
EFRS-261724-2	N/A	N/A	N/A	N/A
EFRS-261724-3	N/A	N/A	N/A	N/A
EFRS-261724-4	N/A	N/A	N/A	N/A
EFRS-261724-WT-1	N/A	N/A	N/A	N/A
EFRS-261724-WT-2	N/A	N/A	N/A	N/A
EFRS-261724-WT-3	N/A	N/A	N/A	N/A
EFRS-261724-WT-4	N/A	N/A	N/A	N/A
EFRS-311724-1	N/A	N/A	N/A	N/A
EFRS-311724-2	N/A	N/A	N/A	N/A
EFRS-311724-3	N/A	N/A	N/A	N/A
EFRS-311724-4	N/A	N/A	N/A	N/A
EFRS-311724-WT-1	N/A	N/A	N/A	N/A
EFRS-311724-WT-2	N/A	N/A	N/A	N/A
EFRS-311724-WT-3	N/A	N/A	N/A	N/A
EFRS-311724-WT-4	N/A	N/A	N/A	N/A
EFRS-262124-1	N/A	N/A	N/A	N/A
EFRS-262124-2	N/A	N/A	N/A	N/A
EFRS-262124-3	N/A	N/A	N/A	N/A
EFRS-262124-4	N/A	N/A	N/A	N/A
EFRS-262124-WT-1	N/A	N/A	N/A	N/A
EFRS-262124-WT-2	N/A	N/A	N/A	N/A
EFRS-262124-WT-3	N/A	N/A	N/A	N/A
EFRS-262124-WT-4	N/A	N/A	N/A	N/A
EFRS-312124-1	N/A	N/A	N/A	N/A
EFRS-312124-2	N/A	N/A	N/A	N/A
EFRS-312124-3	N/A	N/A	N/A	N/A
EFRS-312124-4	N/A	N/A	N/A	N/A
EFRS-312124-WT-1	N/A	N/A	N/A	N/A
EFRS-312124-WT-2	N/A	N/A	N/A	N/A
EFRS-312124-WT-3	N/A	N/A	N/A	N/A
EFRS-312124-WT-4	N/A	N/A	N/A	N/A

EMC

24" Wide Frames (3)

Base Options

Frame	Additional Base Options [251]		
	Pontoon Base	Fork Lift Base	Anti Tip Base

Slope Front

EFRS-261724-1	XPB-2624	XPB-2624-FL	XPB-2624-AT
EFRS-261724-2	XPB-2624	XPB-2624-FL	XPB-2624-AT
EFRS-261724-3	XPB-2624	XPB-2624-FL	XPB-2624-AT
EFRS-261724-4	XPB-2624	XPB-2624-FL	XPB-2624-AT
EFRS-261724-WT-1	XPB-2624	XPB-2624-FL	XPB-2624-AT
EFRS-261724-WT-2	XPB-2624	XPB-2624-FL	XPB-2624-AT
EFRS-261724-WT-3	XPB-2624	XPB-2624-FL	XPB-2624-AT
EFRS-261724-WT-4	XPB-2624	XPB-2624-FL	XPB-2624-AT
EFRS-311724-1	XPB-3124	XPB-3124-FL	XPB-3124-AT
EFRS-311724-2	XPB-3124	XPB-3124-FL	XPB-3124-AT
EFRS-311724-3	XPB-3124	XPB-3124-FL	XPB-3124-AT
EFRS-311724-4	XPB-3124	XPB-3124-FL	XPB-3124-AT
EFRS-311724-WT-1	XPB-3124	XPB-3124-FL	XPB-3124-AT
EFRS-311724-WT-2	XPB-3124	XPB-3124-FL	XPB-3124-AT
EFRS-311724-WT-3	XPB-3124	XPB-3124-FL	XPB-3124-AT
EFRS-311724-WT-4	XPB-3124	XPB-3124-FL	XPB-3124-AT
EFRS-262124-1	XPB-2624	XPB-2624-FL	XPB-2624-AT
EFRS-262124-2	XPB-2624	XPB-2624-FL	XPB-2624-AT
EFRS-262124-3	XPB-2624	XPB-2624-FL	XPB-2624-AT
EFRS-262124-4	XPB-2624	XPB-2624-FL	XPB-2624-AT
EFRS-262124-WT-1	XPB-2624	XPB-2624-FL	XPB-2624-AT
EFRS-262124-WT-2	XPB-2624	XPB-2624-FL	XPB-2624-AT
EFRS-262124-WT-3	XPB-2624	XPB-2624-FL	XPB-2624-AT
EFRS-262124-WT-4	XPB-2624	XPB-2624-FL	XPB-2624-AT
EFRS-312124-1	XPB-3124	XPB-3124-FL	XPB-3124-AT
EFRS-312124-2	XPB-3124	XPB-3124-FL	XPB-3124-AT
EFRS-312124-3	XPB-3124	XPB-3124-FL	XPB-3124-AT
EFRS-312124-4	XPB-3124	XPB-3124-FL	XPB-3124-AT
EFRS-312124-WT-1	XPB-3124	XPB-3124-FL	XPB-3124-AT
EFRS-312124-WT-2	XPB-3124	XPB-3124-FL	XPB-3124-AT
EFRS-312124-WT-3	XPB-3124	XPB-3124-FL	XPB-3124-AT
EFRS-312124-WT-4	XPB-3124	XPB-3124-FL	XPB-3124-AT

EMC

24" Wide Frames (3)

Work Surface Options

Frame	Work Surfaces [247]				
	1 Bay	2 Bay	3 Bay	4 Bay	5 or More
Slope Front					
EFRS-261724-1	N/A	N/A	N/A	N/A	N/A
EFRS-261724-2	N/A	N/A	N/A	N/A	N/A
EFRS-261724-3	N/A	N/A	N/A	N/A	N/A
EFRS-261724-4	N/A	N/A	N/A	N/A	N/A
EFRS-261724-WT-1	EOPT-1827-R-26	EOPT-1855-R-26	EOPT-1882-R-26	EOPT-18110-R-26	contact the factory
EFRS-261724-WT-2	EOPT-1827-R-26	EOPT-1855-R-26	EOPT-1882-R-26	EOPT-18110-R-26	contact the factory
EFRS-261724-WT-3	EOPT-1827-R-26	EOPT-1855-R-26	EOPT-1882-R-26	EOPT-18110-R-26	contact the factory
EFRS-261724-WT-4	EOPT-1827-R-26	EOPT-1855-R-26	EOPT-1882-R-26	EOPT-18110-R-26	contact the factory
EFRS-311724-1	N/A	N/A	N/A	N/A	N/A
EFRS-311724-2	N/A	N/A	N/A	N/A	N/A
EFRS-311724-3	N/A	N/A	N/A	N/A	N/A
EFRS-311724-4	N/A	N/A	N/A	N/A	N/A
EFRS-311724-WT-1	EOPT-1827-R-31	EOPT-1855-R-31	EOPT-1882-R-31	EOPT-18110-R-31	contact the factory
EFRS-311724-WT-2	EOPT-1827-R-31	EOPT-1855-R-31	EOPT-1882-R-31	EOPT-18110-R-31	contact the factory
EFRS-311724-WT-3	EOPT-1827-R-31	EOPT-1855-R-31	EOPT-1882-R-31	EOPT-18110-R-31	contact the factory
EFRS-311724-WT-4	EOPT-1827-R-31	EOPT-1855-R-31	EOPT-1882-R-31	EOPT-18110-R-31	contact the factory
EFRS-262124-1	N/A	N/A	N/A	N/A	N/A
EFRS-262124-2	N/A	N/A	N/A	N/A	N/A
EFRS-262124-3	N/A	N/A	N/A	N/A	N/A
EFRS-262124-4	N/A	N/A	N/A	N/A	N/A
EFRS-262124-WT-1	EOPT-1827-R-26	EOPT-1855-R-26	EOPT-1882-R-26	EOPT-18110-R-26	contact the factory
EFRS-262124-WT-2	EOPT-1827-R-26	EOPT-1855-R-26	EOPT-1882-R-26	EOPT-18110-R-26	contact the factory
EFRS-262124-WT-3	EOPT-1827-R-26	EOPT-1855-R-26	EOPT-1882-R-26	EOPT-18110-R-26	contact the factory
EFRS-262124-WT-4	EOPT-1827-R-26	EOPT-1855-R-26	EOPT-1882-R-26	EOPT-18110-R-26	contact the factory
EFRS-312124-1	N/A	N/A	N/A	N/A	N/A
EFRS-312124-2	N/A	N/A	N/A	N/A	N/A
EFRS-312124-3	N/A	N/A	N/A	N/A	N/A
EFRS-312124-4	N/A	N/A	N/A	N/A	N/A
EFRS-312124-WT-1	EOPT-1827-R-31	EOPT-1855-R-31	EOPT-1882-R-31	EOPT-18110-R-31	contact the factory
EFRS-312124-WT-2	EOPT-1827-R-31	EOPT-1855-R-31	EOPT-1882-R-31	EOPT-18110-R-31	contact the factory
EFRS-312124-WT-3	EOPT-1827-R-31	EOPT-1855-R-31	EOPT-1882-R-31	EOPT-18110-R-31	contact the factory
EFRS-312124-WT-4	EOPT-1827-R-31	EOPT-1855-R-31	EOPT-1882-R-31	EOPT-18110-R-31	contact the factory

24" Wide Frames (3)

Equipment Support Options

Frame	Chassis Guides [244]	Fixed Equipment Shelves [245]		Pull Out Shelves [245]		Monitor Shelves [245]	
		Solid	Perforated	Solid	Perforated	Solid	Perforated

Slope Front

EFRS-261724-1	XCG-26	XES-2624	XES-2624-PA	XCSQ-2624	XCSQ-2624-PA	N/A	N/A
EFRS-261724-2	N/A	N/A	N/A	N/A	N/A	N/A	N/A
EFRS-261724-3	N/A	N/A	N/A	N/A	N/A	N/A	N/A
EFRS-261724-4	N/A	N/A	N/A	N/A	N/A	N/A	N/A
EFRS-261724-WT-1	XCG-26	XES-2624	XES-2624-PA	XCSQ-2624	XCSQ-2624-PA	N/A	N/A
EFRS-261724-WT-2	N/A	N/A	N/A	N/A	N/A	N/A	N/A
EFRS-261724-WT-3	N/A	N/A	N/A	N/A	N/A	N/A	N/A
EFRS-261724-WT-4	N/A	N/A	N/A	N/A	N/A	N/A	N/A
EFRS-311724-1	XCG-31	XES-3124	XES-3124-PA	XCSQ-3124	XCSQ-3124-PA	N/A	N/A
EFRS-311724-2	N/A	N/A	N/A	N/A	N/A	N/A	N/A
EFRS-311724-3	N/A	N/A	N/A	N/A	N/A	N/A	N/A
EFRS-311724-4	N/A	N/A	N/A	N/A	N/A	N/A	N/A
EFRS-311724-WT-1	XCG-31	XES-3124	XES-3124-PA	XCSQ-3124	XCSQ-3124-PA	N/A	N/A
EFRS-311724-WT-2	N/A	N/A	N/A	N/A	N/A	N/A	N/A
EFRS-311724-WT-3	N/A	N/A	N/A	N/A	N/A	N/A	N/A
EFRS-311724-WT-4	N/A	N/A	N/A	N/A	N/A	N/A	N/A
EFRS-262124-1	XCG-26	XES-2624	XES-2624-PA	XCSQ-2624	XCSQ-2624-PA	N/A	N/A
EFRS-262124-2	N/A	N/A	N/A	N/A	N/A	N/A	N/A
EFRS-262124-3	N/A	N/A	N/A	N/A	N/A	N/A	N/A
EFRS-262124-4	N/A	N/A	N/A	N/A	N/A	N/A	N/A
EFRS-262124-WT-1	XCG-26	XES-2624	XES-2624-PA	XCSQ-2624	XCSQ-2624-PA	N/A	N/A
EFRS-262124-WT-2	N/A	N/A	N/A	N/A	N/A	N/A	N/A
EFRS-262124-WT-3	N/A	N/A	N/A	N/A	N/A	N/A	N/A
EFRS-262124-WT-4	N/A	N/A	N/A	N/A	N/A	N/A	N/A
EFRS-312124-1	XCG-31	XES-3124	XES-3124-PA	XCSQ-3124	XCSQ-3124-PA	N/A	N/A
EFRS-312124-2	N/A	N/A	N/A	N/A	N/A	N/A	N/A
EFRS-312124-3	N/A	N/A	N/A	N/A	N/A	N/A	N/A
EFRS-312124-4	N/A	N/A	N/A	N/A	N/A	N/A	N/A
EFRS-312124-WT-1	XCG-31	XES-3124	XES-3124-PA	XCSQ-3124	XCSQ-3124-PA	N/A	N/A
EFRS-312124-WT-2	N/A	N/A	N/A	N/A	N/A	N/A	N/A
EFRS-312124-WT-3	N/A	N/A	N/A	N/A	N/A	N/A	N/A
EFRS-312124-WT-4	N/A	N/A	N/A	N/A	N/A	N/A	N/A

EMC

24" Wide Frames (3)

Equipment Support Options

Frame	Retractable Keyboard Trays		Work Surface Drawers [246]	Equipment Drawers [246]	
	Tray	Access Panel			
				(1) Block Indicate: 3 - 3.50" Drawer Front -LK option N/A for 3.5" 5 - 5.25" Drawer Front 7 - 7.00" Drawer Front 8 - 8.75" Drawer Front 10 - 10.5" Drawer Front 14 - 14.0" Drawer Front	
Slope Front					
EFRS-261724-1	N/A	N/A	XRSQ-2624	XDRQ-26(1)24	XDRQ-26(1)24-LK
EFRS-261724-2	N/A	N/A	N/A	N/A	N/A
EFRS-261724-3	N/A	N/A	N/A	N/A	N/A
EFRS-261724-4	N/A	N/A	N/A	N/A	N/A
EFRS-261724-WT-1	N/A	N/A	XRSQ-2624	XDRQ-26(1)24	XDRQ-26(1)24-LK
EFRS-261724-WT-2	N/A	N/A	N/A	N/A	N/A
EFRS-261724-WT-3	N/A	N/A	N/A	N/A	N/A
EFRS-261724-WT-4	N/A	N/A	N/A	N/A	N/A
EFRS-311724-1	N/A	N/A	XRSQ-3124	XDRQ-31(1)24	XDRQ-31(1)24-LK
EFRS-311724-2	N/A	N/A	N/A	N/A	N/A
EFRS-311724-3	N/A	N/A	N/A	N/A	N/A
EFRS-311724-4	N/A	N/A	N/A	N/A	N/A
EFRS-311724-WT-1	N/A	N/A	XRSQ-3124	XDRQ-31(1)24	XDRQ-31(1)24-LK
EFRS-311724-WT-2	N/A	N/A	N/A	N/A	N/A
EFRS-311724-WT-3	N/A	N/A	N/A	N/A	N/A
EFRS-311724-WT-4	N/A	N/A	N/A	N/A	N/A
EFRS-262124-1	N/A	N/A	XRSQ-2624	XDRQ-26(1)24	XDRQ-26(1)24-LK
EFRS-262124-2	N/A	N/A	N/A	N/A	N/A
EFRS-262124-3	N/A	N/A	N/A	N/A	N/A
EFRS-262124-4	N/A	N/A	N/A	N/A	N/A
EFRS-262124-WT-1	N/A	N/A	XRSQ-2624	XDRQ-26(1)24	XDRQ-26(1)24-LK
EFRS-262124-WT-2	N/A	N/A	N/A	N/A	N/A
EFRS-262124-WT-3	N/A	N/A	N/A	N/A	N/A
EFRS-262124-WT-4	N/A	N/A	N/A	N/A	N/A
EFRS-312124-1	N/A	N/A	XRSQ-3124	XDRQ-31(1)24	XDRQ-31(1)24-LK
EFRS-312124-2	N/A	N/A	N/A	N/A	N/A
EFRS-312124-3	N/A	N/A	N/A	N/A	N/A
EFRS-312124-4	N/A	N/A	N/A	N/A	N/A
EFRS-312124-WT-1	N/A	N/A	XRSQ-3124	XDRQ-31(1)24	XDRQ-31(1)24-LK
EFRS-312124-WT-2	N/A	N/A	N/A	N/A	N/A
EFRS-312124-WT-3	N/A	N/A	N/A	N/A	N/A
EFRS-312124-WT-4	N/A	N/A	N/A	N/A	N/A

Mounting Angles & Mounting Straps

Mounting Angles

All emission control frames include 2 pair (4 total) thru-hole EIA compliant mounting angles. These thru-hole angles are constructed of 14-gauge steel. Optional tapped mounting angles, constructed of 12-gauge steel, are available. Choose from .281" diameter thru holes on one leg of the mounting angle, and .159" diameter tapped holes (10-32 NF2) on the other leg or .159" diameter tapped holes (10-32 NF2) on both legs of the mounting angle. All mounting angles and straps are processed to specification ASTM-B633 which calls for electrodeposited zinc plating with a clear chromate conversion coating.

Mounting Angle Part Numbers & Dimensions

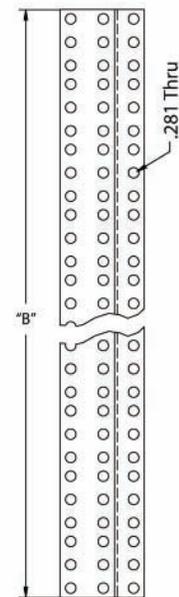
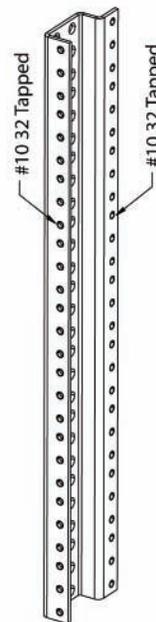
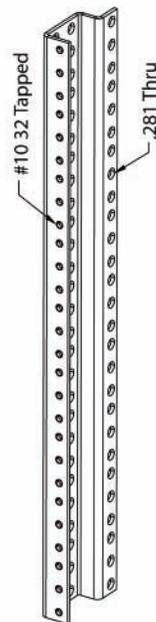
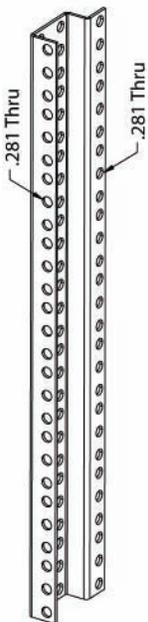
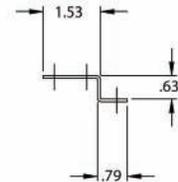
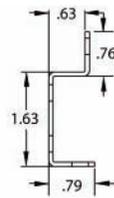
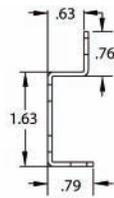
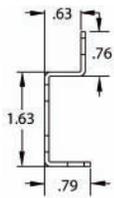
Thru-Hole	Tapped 1	Tapped 2	B	
XMA-24	XMA-24-T	XMA-24-T2	24.500	14U
XMA-26	XMA-26-T	XMA-26-T2	26.250	15U
XMA-28	XMA-28-T	XMA-28-T2	28.000	16U
XMA-31	XMA-31-T	XMA-31-T2	31.500	18U
XMA-33	XMA-33-T	XMA-33-T2	33.250	19U
XMA-35	XMA-35-T	XMA-35-T2	35.000	20U
XMA-40	XMA-40-T	XMA-40-T2	40.250	23U
XMA-45	XMA-45-T	XMA-45-T2	45.500	26U
XMA-49	XMA-49-T	XMA-49-T2	49.000	28U
XMA-52	XMA-52-T	XMA-52-T2	52.500	30U
XMA-61	XMA-61-T	XMA-61-T2	61.250	35U
XMA-63	XMA-63-T	XMA-63-T2	63.000	36U
XMA-70	XMA-70-T	XMA-70-T2	70.000	40U
XMA-78	XMA-78-T	XMA-78-T2	78.750	45U

Mounting Strap Part Numbers & Dimensions

Thru-Hole	B	
XMS-26	26.250	15U
XMS-33	33.250	19U
XMS-35	35.000	20U
XMS-40	40.250	23U
XMS-45	45.500	26U
XMS-49	49.000	28U
XMS-52	52.500	30U
XMS-61	61.250	35U
XMS-63	63.000	36U
XMS-70	70.000	40U
XMS-78	78.750	45U

Mounting Straps

For intermediate depth mounting needs, Emission Control mounting straps constructed of 14-gauge steel provide users with optimal flexibility and utility.



Thru-Hole

Tapped 1 Face

Tapped 2 Faces

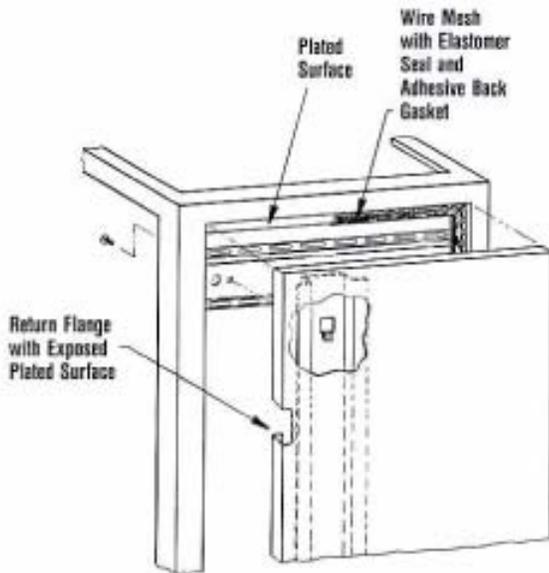
Straps

EMC

Side Panels

Side Panels

All emission control side panels are inside removable and flush mounted within the frame side channels. The return flanges of the side panel and recessed flanges of the frame side have been masked prior to paint, leaving a plated surface in those areas. Adhesive backed foam wire mesh gasketing is applied to the plated flanges of the frame, which offers the necessary control of emissions once the side panel is attached in place.



Note

Vertical side panel shown, slope side panel is of the same design.

Vertical Frame Side Panel Part Numbers

For Use With 26.313" Deep Frames		For Use With 31.563" Deep Frames	
ESPI-2626		ESPI-3126	
ESPI-2633		ESPI-3133	
ESPI-2635		ESPI-3135	
ESPI-2640		ESPI-3140	
ESPI-2649		ESPI-3149	
ESPI-2652		ESPI-3152	
ESPI-2661		ESPI-3161	
ESPI-2663		ESPI-3163	
ESPI-2670		ESPI-3170	
ESPI-2678		ESPI-3178	

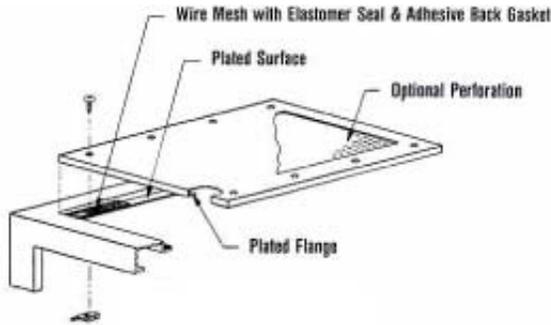
Slope Front Frame Side Panel Part Numbers

For Use With 26.313" Deep Frames		For Use With 31.563" Deep Frames	
ESPI-2617-LH	ESPI-2617-RH	ESPI-3117-LH	ESPI-3117-RH
ESPI-2621-LH	ESPI-2621-RH	ESPI-3121-LH	ESPI-3121-RH

Top & Bottom Panels

Top Panels

Top panels for emission control are fabricated of 16-gauge cold rolled steel. These panels are configured with a return flange, which is masked prior to paint leaving a plated surface for required contact with adhesive backed foam wire mesh gasketing.

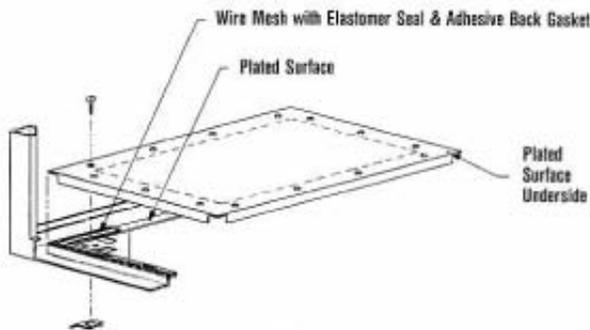


Top Panel Part Numbers

19" Wide		24" Wide	
Solid	Perforated	Solid	Perforated
ETP-1419	ETP-1419-PA	ETP-1424	ETP-1424-PA
ETP-1519	ETP-1519-PA	ETP-1524	ETP-1524-PA
ETP-1919	ETP-1919-PA	ETP-1924	ETP-1924-PA
ETP-2119	ETP-2119-PA	ETP-2124	ETP-2124-PA
ETP-2219	ETP-2219-PA	ETP-2224	ETP-2224-PA
ETP-2819	ETP-2819-PA	ETP-2824	ETP-2824-PA

Bottom Panels

Emission control bottom panels are constructed of 16-gauge cold rolled steel. Prior to paint, the underside of the bottom panel is masked leaving a plated surface for contact with the adhesive backed foam wire mesh gasketing.



Bottom Panel Part Numbers

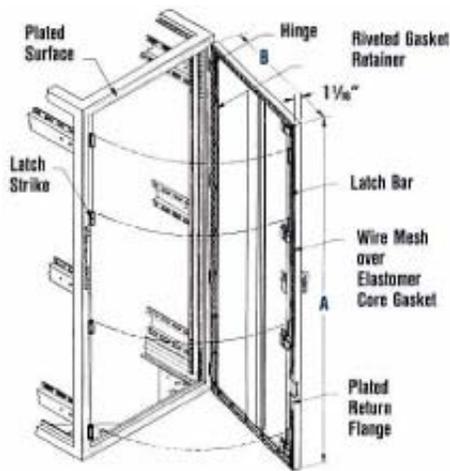
19" Wide	24" Wide
EBP-2619	EBP-2624
EBP-3119	EBP-3124

Emission Control Doors

Emission Control Doors

All emission control frames with adjustable mounting angles require a full length surface mounted door. The frame channel and door return flange is masked prior to paint leaving exposed plating those areas. Wire mesh over elastomer core gasket is riveted to the door return flange, which assists in controlling emissions once the door is secured.

All emission control doors overlap the frame opening by 7/8" both top and bottom. The clearance between the bottom edge of the door and the bottom of the frame is 7/8". All doors are provided with a lock.



Emission Control Door Part Numbers & Dimensions

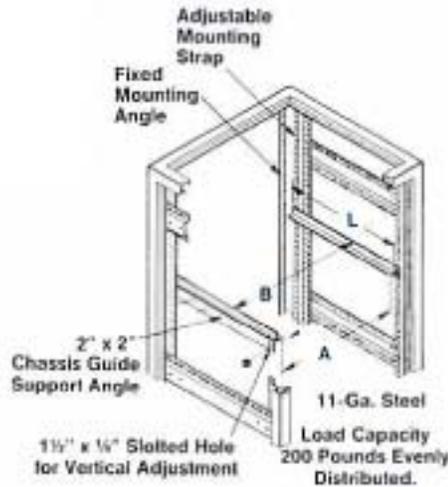
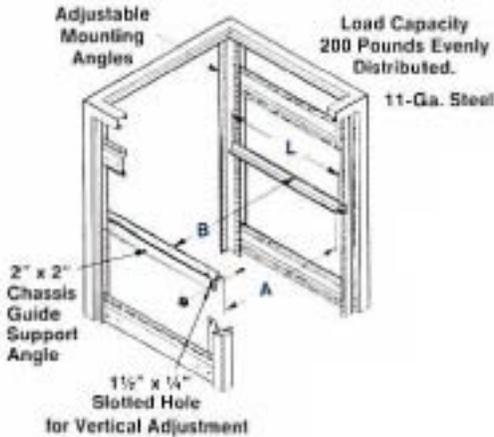
19" Wide			24" Wide			
Left Hinge	Right Hinge	B	Left Hinge	Right Hinge	B	A
EDS-1619-LH	EDS-1619-RH	21.938	EDS-1624-LH	EDS-1624-RH	26.938	18.167
EDS-2319-LH	EDS-2319-RH	21.938	EDS-2324-LH	EDS-2324-RH	26.938	25.375
EDS-2519-LH	EDS-2519-RH	21.938	EDS-2524-LH	EDS-2524-RH	26.938	27.125
EDS-2619-LH	EDS-2619-RH	21.938	EDS-2624-LH	EDS-2624-RH	26.938	28.125
EDS-3019-LH	EDS-3019-RH	21.938	EDS-3024-LH	EDS-3024-RH	26.938	32.375
EDS-3319-LH	EDS-3319-RH	21.938	EDS-3324-LH	EDS-3324-RH	26.938	35.125
EDS-3519-LH	EDS-3519-RH	21.938	EDS-3524-LH	EDS-3524-RH	26.938	36.875
EDS-3919-LH	EDS-3919-RH	21.938	EDS-3924-LH	EDS-3924-RH	26.938	41.125
EDS-4019-LH	EDS-4019-RH	21.938	EDS-4024-LH	EDS-4024-RH	26.938	42.125
EDS-4219-LH	EDS-4219-RH	21.938	EDS-4224-LH	EDS-4224-RH	26.938	44.625
EDS-4519-LH	EDS-4519-RH	21.938	EDS-4524-LH	EDS-4524-RH	26.938	47.375
EDS-4919-LH	EDS-4919-RH	21.938	EDS-4924-LH	EDS-4924-RH	26.938	50.875
EDS-5119-LH	EDS-5119-RH	21.938	EDS-5124-LH	EDS-5124-RH	26.938	53.375
EDS-5219-LH	EDS-5219-RH	21.938	EDS-5224-LH	EDS-5224-RH	26.938	54.375
EDS-5319-LH	EDS-5319-RH	21.938	EDS-5324-LH	EDS-5324-RH	26.938	55.125
EDS-6019-LH	EDS-6019-RH	21.938	EDS-6024-LH	EDS-6024-RH	26.938	62.125
EDS-6119-LH	EDS-6119-RH	21.938	EDS-6124-LH	EDS-6124-RH	26.938	63.125
EDS-6319-LH	EDS-6319-RH	21.938	EDS-6324-LH	EDS-6324-RH	26.938	64.875
EDS-6819-LH	EDS-6819-RH	21.938	EDS-6824-LH	EDS-6824-RH	26.938	70.875
EDS-7019-LH	EDS-7019-RH	21.938	EDS-7024-LH	EDS-7024-RH	26.938	71.875
EDS-7819-LH	EDS-7819-RH	21.938	EDS-7824-LH	EDS-7824-RH	26.938	80.625

EMC

Equipment Support Options

Chassis Guides

Chassis guides are used to support heavy equipment by means of angular steel support members leaving the bottom of the mounted equipment exposed for cooling or servicing. When short depth chassis guides are to be installed an extra pair of panel mounting angles or mounting straps must be ordered.

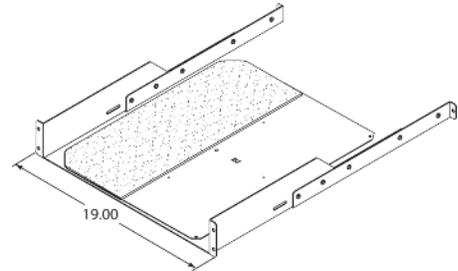


Chassis Guide Part Numbers & Dimensions

	L	A		B	
		19" Wide	24" Wide	19" Wide	24" Wide
XCG-20	16.688	14.016	19.016	16.563	21.563
XCG-26	21.688	14.016	19.016	16.563	21.563
XCG-31	26.938	14.016	19.016	16.563	21.563

Retractable Keyboard Tray Assembly

Emcor's retractable keyboard tray assembly provides users the flexibility to incorporate a full size PC keyboard within a frame's 19" width enclosure opening. The keyboard tray is housed within the enclosure in a "front-to-rear" orientation. To access the keyboard, simply pull the tray outward until it locks into the open position. The keyboard tray can then be rotated 90° and affixed into position for operator use. A low profile mouse pad is incorporated onto the front of the tray across its entire width. In order to stow the keyboard back into the enclosure, rotate the tray 90°, unlatch the locking slide, and retract the assembly back into the frame. The keyboard tray assembly mounts to the mounting angles and occupies only 3.5" (2U) of vertical rack space.



Part Number

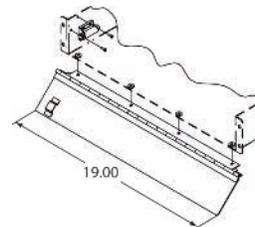
RKT-0319-S

Optional Hinged Access Panel

An optional 3.5" (2U) hinged access panel is available for those users that wish to close off the 2U opening when the keyboard is stowed.

Part Number

KTAP-0319



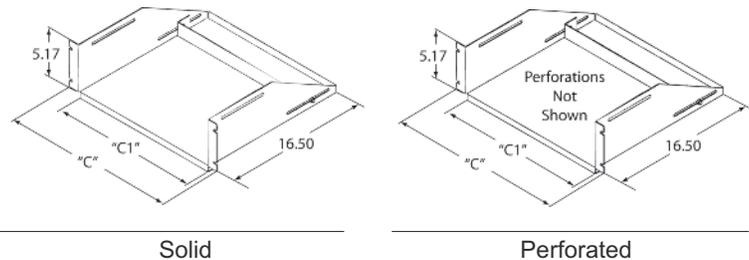
Equipment Support Options

Monitor Shelf

Monitor shelves provide an easy method of mounting non-rack mount style monitors and equipment into the sloped area of slope front frames or into any vertical frame mounting location. These shelves are attached to the front flange of the enclosure's panel mounting angles and require no rear attachment point. Monitor shelves are available in solid or perforated styles and they carry a 50 pound load rating. An adjustable bracket is included at the rear of the shelf to position the monitor as required. Additional front-to-rear slots are provided to further secure the monitor as needed by strapping the unit to the shelf...strap not included.

Monitor Shelf Part Numbers & Dimensions

19" Wide			
Solid	Perforated	C	C1
XES-1619	XES-1619-PA	18.940	16.350
24" Wide			
Solid	Perforated	C	C1
XES-1624	XES-1624-PA	23.940	21.350



Fixed Equipment Shelves

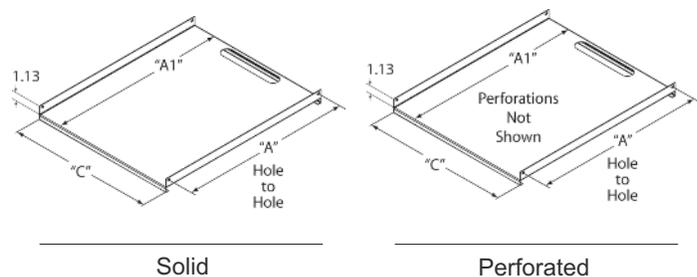
These 14-gauge steel fixed equipment shelves are designed to fit anywhere in the vertical panel openings of Emission Control frames. A 1.5" x 8.5" slot is provided at the rear for passage of wires, cables, etc.

Solid style shelves provide an evenly distributed load capacity of up to 350 pounds.

Perforated style shelves offer an evenly distributed load capacity of 200 pounds and provide air flow through the perforated area to assist in equipment cooling. The perforation provides a 46% open area.

Fixed Equipment Shelf Dimensions

19" Wide				
Solid	Perforated	A	A1	C
XES-2019	XES-2019-PA	15.938	18.632	17.990
XES-2619	XES-2619-PA	20.930	23.624	17.990
XES-3119	XES-3119-PA	26.180	28.874	17.990
24" Wide				
Solid	Perforated	A	A1	C
XES-2024	XES-2024-PA	15.938	18.632	22.990
XES-2624	XES-2624-PA	20.930	23.624	22.990
XES-3124	XES-3124-PA	26.180	28.874	22.990

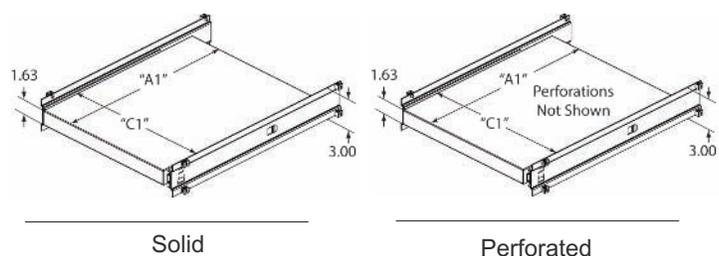


Pull Out Shelf

Pull-Out Shelves make it possible to slide equipment in and out of the enclosure for fast, easy accessibility. Slide assemblies are mounted on heavy-duty ball bearing slides for ease of movement. Load capacity - 90-lbs. evenly distributed. Slide mounting brackets are painted black.

Pull Out Shelf Dimensions

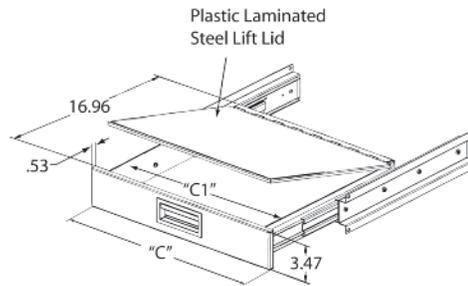
19" Wide			
Solid	Perforated	A1	C1
XCSQ-2019	XCSQ-2019-PA	20.250	16.320
XCSQ-2619	XCSQ-2619-PA	20.250	16.320
XCSQ-3119	XCSQ-3119-PA	20.250	16.320
24" Wide			
Solid	Perforated	A1	C1
XCSQ-2024	XCSQ-2024-PA	20.250	21.320
XCSQ-2624	XCSQ-2624-PA	20.250	21.320
XCSQ-3124	XCSQ-3124-PA	20.250	21.320



Equipment Support Options

Work Surface Drawers

Work surface drawers are used for supporting electronic equipment which requires easy access, or as a pull-out writing shelf. Slide assemblies are mounted on heavy-duty ball bearing slides for ease of movement. Load capacity - 90-lbs. evenly distributed. Drawer extension is 17" from front of the enclosure.



Work Surface Drawer Part Numbers & Dimensions

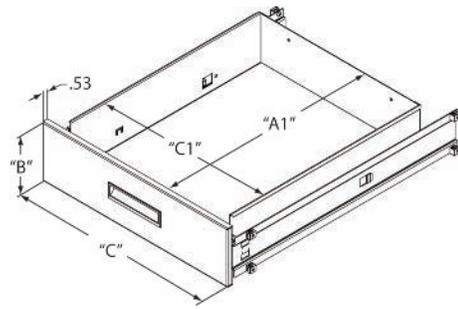
19" Wide	C	C1
XRSQ-2019	18.938	16.224
XRSQ-2619	18.938	16.224
XRSQ-3119	18.938	16.224
24" Wide	C	C1
XRSQ-2024	23.938	21.224
XRSQ-2624	23.938	21.224
XRSQ-3124	23.938	21.224

Note

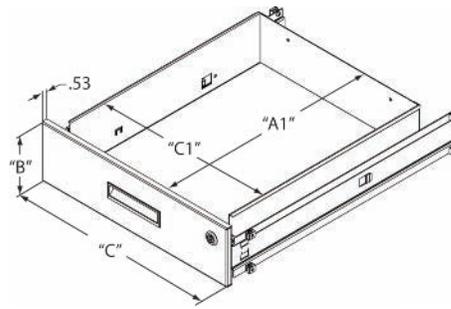
Paint and laminate color selection is necessary at the time of order placement. Refer to the paint and laminate charts in the accessory section of the catalog.

Equipment Drawers

Equipment drawers provide for efficient storage and easy access of system support materials. Slide assemblies are mounted on heavy-duty ball bearing slides for ease of movement. Load capacity - 90-lbs. evenly distributed. Drawer extension is 17" from front of the enclosure.



Non-Locking



Locking

Equipment Drawer Part Numbers & Dimensions

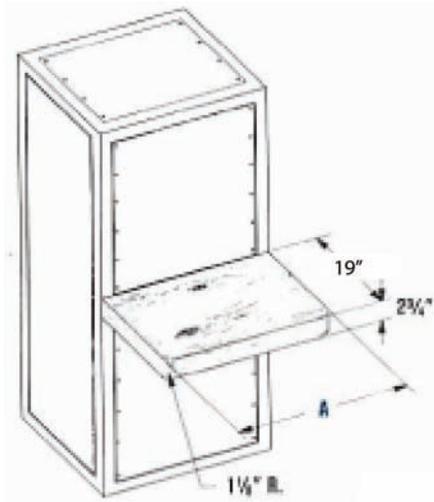
19" Wide						
Non Locking	Locking	A1	C	C1	B	
XDRQ-200319	N/A	20.461	18.938	16.224	3.437	2U
XDRQ-260319	N/A	20.461	18.938	16.224	3.437	2U
XDRQ-310319	N/A	20.461	18.938	16.224	3.437	2U
XDRQ-200519	XDRQ-200519-LK	20.461	18.938	16.224	5.187	3U
XDRQ-260519	XDRQ-260519-LK	20.461	18.938	16.224	5.187	3U
XDRQ-310519	XDRQ-310519-LK	20.461	18.938	16.224	5.187	3U
XDRQ-200719	XDRQ-200719-LK	20.461	18.938	16.224	6.938	4U
XDRQ-260719	XDRQ-260719-LK	20.461	18.938	16.224	6.938	4U
XDRQ-310719	XDRQ-310719-LK	20.461	18.938	16.224	6.938	4U
XDRQ-200819	XDRQ-200819-LK	20.461	18.938	16.224	8.688	5U
XDRQ-260819	XDRQ-260819-LK	20.461	18.938	16.224	8.688	5U
XDRQ-310819	XDRQ-310819-LK	20.461	18.938	16.224	8.688	5U
XDRQ-201019	XDRQ-201019-LK	20.461	18.938	16.224	10.438	6U
XDRQ-261019	XDRQ-261019-LK	20.461	18.938	16.224	10.438	6U
XDRQ-311019	XDRQ-311019-LK	20.461	18.938	16.224	10.438	6U
XDRQ-201419	XDRQ-201419-LK	20.461	18.938	16.224	13.938	8U
XDRQ-261419	XDRQ-261419-LK	20.461	18.938	16.224	13.938	8U
XDRQ-311419	XDRQ-311419-LK	20.461	18.938	16.224	13.938	8U

24" Wide						
Non Locking	Locking	A1	C	C1	B	
XDRQ-200324	N/A	20.461	23.938	21.224	3.437	2U
XDRQ-260324	N/A	20.461	23.938	21.224	3.437	2U
XDRQ-310324	N/A	20.461	23.938	21.224	3.437	2U
XDRQ-200524	XDRQ-200524-LK	20.461	23.938	21.224	5.187	3U
XDRQ-260524	XDRQ-260524-LK	20.461	23.938	21.224	5.187	3U
XDRQ-310524	XDRQ-310524-LK	20.461	23.938	21.224	5.187	3U
XDRQ-200724	XDRQ-200724-LK	20.461	23.938	21.224	6.938	4U
XDRQ-260724	XDRQ-260724-LK	20.461	23.938	21.224	6.938	4U
XDRQ-310724	XDRQ-310724-LK	20.461	23.938	21.224	6.938	4U
XDRQ-200824	XDRQ-200824-LK	20.461	23.938	21.224	8.688	5U
XDRQ-260824	XDRQ-260824-LK	20.461	23.938	21.224	8.688	5U
XDRQ-310824	XDRQ-310824-LK	20.461	23.938	21.224	8.688	5U
XDRQ-201024	XDRQ-201024-LK	20.461	23.938	21.224	10.438	6U
XDRQ-261024	XDRQ-261024-LK	20.461	23.938	21.224	10.438	6U
XDRQ-311024	XDRQ-311024-LK	20.461	23.938	21.224	10.438	6U
XDRQ-201424	XDRQ-201424-LK	20.461	23.938	21.224	13.938	8U
XDRQ-261424	XDRQ-261424-LK	20.461	23.938	21.224	13.938	8U
XDRQ-311424	XDRQ-311424-LK	20.461	23.938	21.224	13.938	8U

Work Surfaces

Work Surfaces

The emission control line offers an attractive yet functional approach to your writing top requirement. Available in one through four bay configurations, three support hardware depths, soft radius corners and a full 19" of usable top depth. However, if any of these work surface configurations will not fit your requirements, contact the factory for a part number and price.



Work Surface Part Numbers & Dimensions

19" Wide	A	Frame Depth	Bays	24" Wide	A	Frame Depth	Bays
EOPT-1822-R-20	22.438	*	1	EOPT-1827-R-20	27.438	*	1
EOPT-1845-R-20	45.000	*	2	EOPT-1855-R-20	55.000	*	2
EOPT-1867-R-20	67.563	*	3	EOPT-1882-R-20	82.563	*	3
EOPT-1890-R-20	90.125	*	4	EOPT-18110-R-20	110.125	*	4
EOPT-1822-R-26	22.438	26.313	1	EOPT-1827-R-26	27.438	26.313	1
EOPT-1845-R-26	45.000	26.313	2	EOPT-1855-R-26	55.000	26.313	2
EOPT-1867-R-26	67.563	26.313	3	EOPT-1882-R-26	82.563	26.313	3
EOPT-1890-R-26	90.125	26.313	4	EOPT-18110-R-26	110.125	26.313	4
EOPT-1822-R-31	22.438	31.563	1	EOPT-1827-R-31	27.438	31.563	1
EOPT-1845-R-31	45.000	31.563	2	EOPT-1855-R-31	55.000	31.563	2
EOPT-1867-R-31	67.563	31.563	3	EOPT-1882-R-31	82.563	31.563	3
EOPT-1890-R-31	90.125	31.563	4	EOPT-18110-R-31	110.125	31.563	4

* To be used in either 26 5/16" or 31 9/16" depth frame to provide vertical clearance at rear for cabling. (Short depth mounting hardware requires ordering an extra pair of mounting angles or straps.)

EMC

Access Area Blower

Packaged Blowers

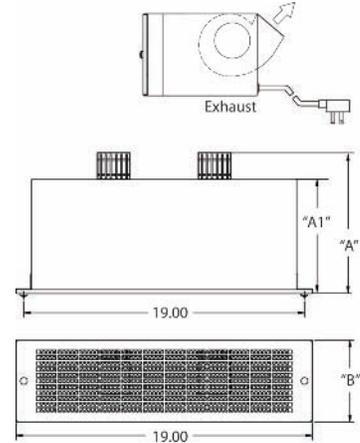
Packaged blowers have been designed to effectively cool critical electronic components within an enclosure by means of clean positive air pressure. Each blower is supplied with a highly efficient UL approved motor, statically balanced wheels, brushed stainless steel grille, permanent washable filter, and an epoxy finish.

Material

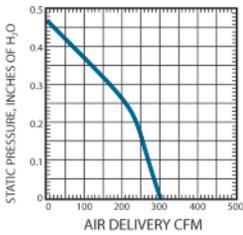
FILTER: Permanent washable type which can be serviced without removing the blower from the rack.

MOTOR: Shaded-pole, rust resistant shaft, double shielded ball bearings, permanently lubricated with a 20° F to 250° F lubricant. UL and CSA approved. Some motors are permanent split capacitor style.

CORD: 72" 18/3 SJ gray power cord material with a NEMA 5-15P 90° right angle molded plug.



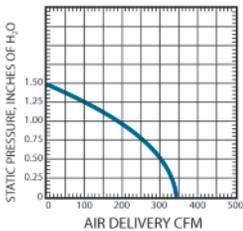
EMC



Blower Part Number & Dimensions

BL-300EG	Performance Data					NC**	Dimensional Data	
	CFM	RPM	AMPS		WATTS		A	B
			RUN	L.R.*				
300	1550	1.2	1.6	95	50	10.188	7.000	

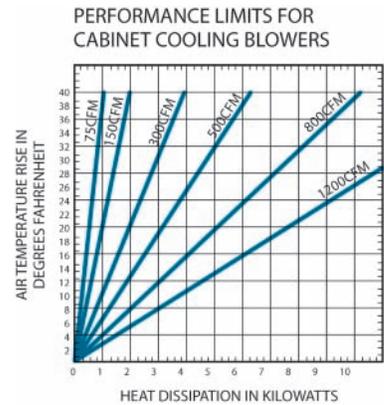
* Locked Rotor **Noise Criteria
Air delivery based on operating at 115 voltz, 60 HZ, single phase power.



Blower Part Number & Dimensions

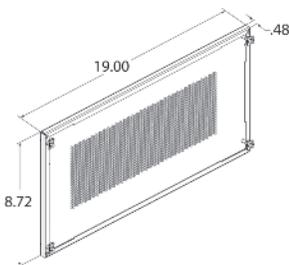
BL-350EG	Performance Data					NC**	Dimensional Data	
	CFM	RPM	AMPS		WATTS		A	B
			RUN	L.R.*				
350	3100	1.8	4	200	65	10.219	7.000	

* Locked Rotor **Noise Criteria
Air delivery based on operating at 115 voltz, 60 HZ, single phase power.

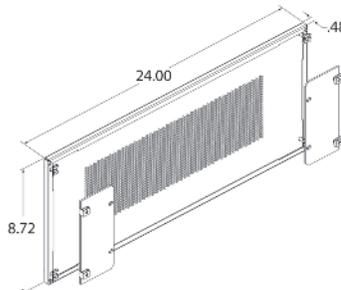


Blower Panels

A blower panel must also be ordered when the blower option is selected. The blower panel creates the shielding for the blower.



Part Number
EPN-0819-BP



Part Number
EPN-0824-BP

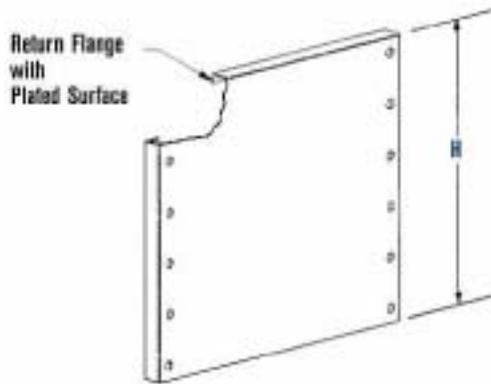
Closure Panels

Closure Panels

Emission control closure panels are constructed of 16-gauge cold rolled steel. Those panels are designed with a return flange which is masked prior to paint leaving a plated surface for proper contact with the adhesive backed foam wire mesh gasketing.

Note

Gasketing for closure panels is supplied as part of the Emcors emission control frame and multiple panel bridges only.



Closure Panel Part Numbers & Dimensions

19" Wide	B	24" Wide	B	H	
EPN-0319	19.000	EPN-0324	24.000	3.469	2U
EPN-0519	19.000	EPN-0524	24.000	5.219	3U
EPN-0719	19.000	EPN-0724	24.000	6.969	4U
EPN-0819	19.000	EPN-0824	24.000	8.719	5U
EPN-1019	19.000	EPN-1024	24.000	10.469	6U
EPN-1219	19.000	EPN-1224	24.000	12.219	7U
EPN-1419	19.000	EPN-1424	24.000	13.969	8U
EPN-1519	19.000	EPN-1524	24.000	15.719	9U
EPN-1719	19.000	EPN-1724	24.000	17.469	10U
EPN-1919	19.000	EPN-1924	24.000	19.219	11U
EPN-2119	19.000	EPN-2124	24.000	20.969	12U
EPN-2219	19.000	EPN-2224	24.000	22.719	13U
EPN-2419	19.000	EPN-2424	24.000	24.469	14U
EPN-2619	19.000	EPN-2624	24.000	26.219	15U
EPN-2819	19.000	EPN-2824	24.000	29.750	17U
EPN-3119	19.000	EPN-3124	24.000	31.500	18U
EPN-3319	19.000	EPN-3324	24.000	33.250	19U
EPN-3519	19.000	EPN-3524	24.000	35.000	20U
EPN-3619	19.000	EPN-3624	24.000	36.750	21U
EPN-3819	19.000	EPN-3824	24.000	38.500	22U
EPN-4019	19.000	EPN-4024	24.000	40.250	23U
EPN-4219	19.000	EPN-4224	24.000	42.000	24U
EPN-4319	19.000	EPN-4324	24.000	43.750	25U
EPN-4519	19.000	EPN-4524	24.000	45.500	26U
EPN-4719	19.000	EPN-4724	24.000	47.250	27U
EPN-4919	19.000	EPN-4924	24.000	49.000	28U
EPN-5219	19.000	EPN-5224	24.000	52.500	30U
EPN-5419	19.000	EPN-5424	24.000	54.250	31U
EPN-5619	19.000	EPN-5624	24.000	56.000	32U
EPN-6119	19.000	EPN-6124	24.000	61.250	35U
EPN-6319	19.000	EPN-6324	24.000	63.000	36U
EPN-6419	19.000	EPN-6424	24.000	64.750	37U
EPN-7019	19.000	EPN-7024	24.000	70.000	40U
EPN-7119	19.000	EPN-7124	24.000	71.750	41U
EPN-7319	19.000	EPN-7324	24.000	73.500	42U
EPN-7819	19.000	EPN-7824	24.000	78.750	45U

Multiple Panel Bridges

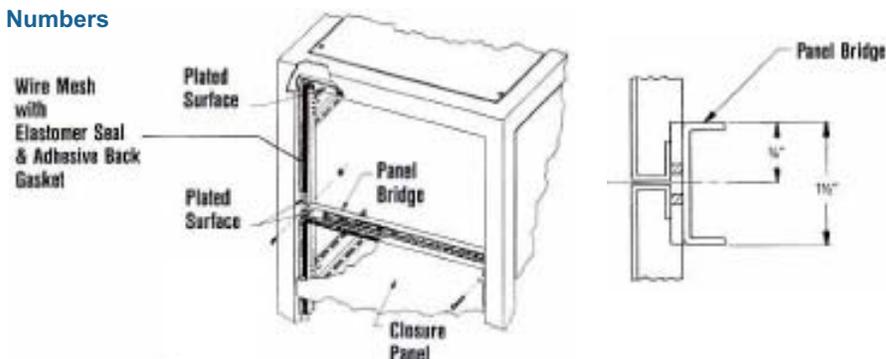
WHEN USING MULTIPLE PANELS IN A FRAME OPENING, IT IS NECESSARY THAT A PANEL BRIDGE BE ORDERED FOR EACH JUNCTION POINT to provide a proper shielding between panels. Full height closure panels do not require a panel bridge.

Note

Multiple panel bridges occupy a vertical mounting space of 1 1/2" behind the panels at the junction point. You must allow for a 3/4" interference area for each panel at the junction point when laying out the panel diagrams.

Multiple Panel Bridge Part Numbers

19" Wide
EMPB-0019
24" Wide
EMPB-0024

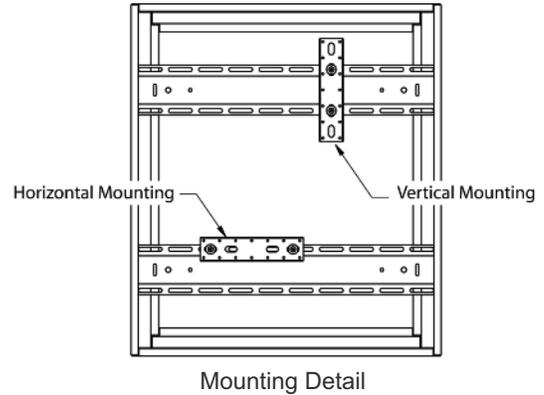
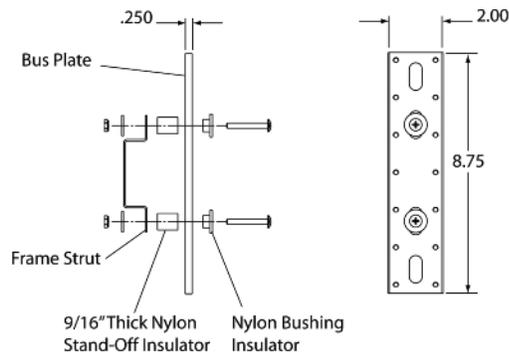


Grounding Options

Ground Bus Plate

Ground bus plates provide equipment grounding capabilities that are unique when compared to the full length bus bars. The copper ground bus plate provides fourteen (14) #10-32 tapped grounding points and mounts directly to the frame strut in a vertical or horizontal position. The designed-in mounting flexibility allows for attachment of the ground bus plate in locations that are much less likely to interfere with full depth internal frame equipment and accessories such as mounting brackets, equipment shelves, chassis guides and others.

Part Number
XGBP-0208

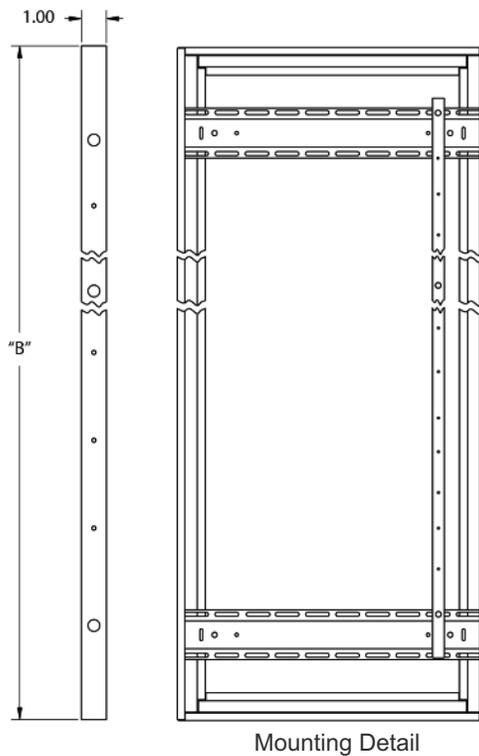
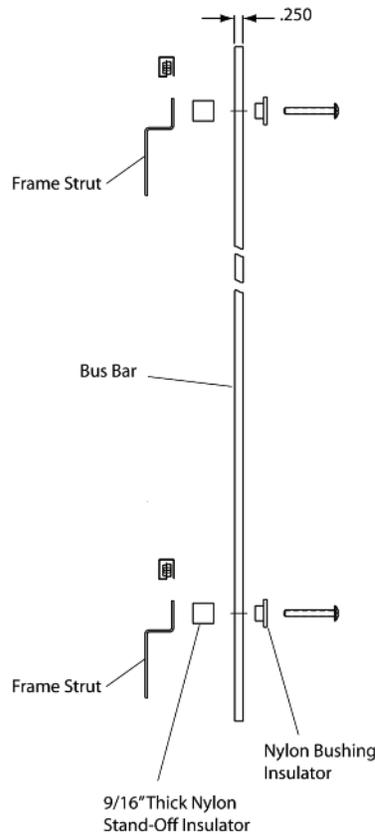


EMC

Bus Bars

Emcor offers insulated copper bus bars which attach to the top flange of the upper and lower frame struts. The bus bar is supplied with #10-32 tapped holes on 3.5" centers. Only full height bus bars will mount to frames. Short height bus bars will not align with frame mounting struts.

Part Numbers	B	
XBB-24	24.500	14U
XBB-26	26.250	15U
XBB-31	31.500	18U
XBB-33	33.250	19U
XBB-35	35.000	20U
XBB-40	40.250	23U
XBB-45	45.500	26U
XBB-49	49.000	28U
XBB-52	52.500	30U
XBB-61	61.250	35U
XBB-63	63.000	36U
XBB-70	70.000	40U
XBB-78	78.750	45U



Note

When equipment support items such as shelving or drawers are being mounted in the same frame as a bus bar, the items must be ordered short depth. Please refer to the technical section for more information on short depth equipment.

Base Options

Pontoon Base

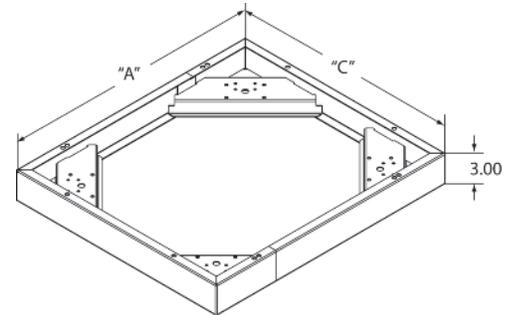
A pontoon base is available for applications where raising the enclosure above the floor is required, protecting equipment from possible water damage. Emcor has created pontoon bases for vertical frames and slope front frames.

Note

All frames overhang the pontoon bases 0.5" at front. The base is mounted at the factory to accommodate caster or leveler mounting unless floor tie-down has been specified.

Vertical and Slope Front Frame Part Numbers & Dimensions

19" Wide		
No Outlet	C	A
XPB-2619	22.562	25.812
XPB-3119	22.562	31.062
24" Wide		
No Outlet	C	A
XPB-2624	27.562	25.812
XPB-3124	27.562	31.062

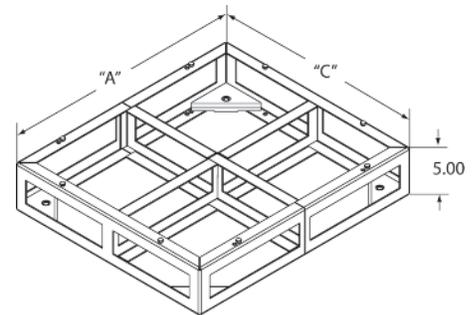


Fork Lift Base

This functional base has been designed for those applications where movement of the frame unit by a fork-lift is necessary. The base provides for front, rear, and side access.

Fork Lift Base Part Numbers & Dimensions

19" Wide		
	A	C
XPB-2619-FL	25.812	22.562
XPB-3119-FL	31.062	22.562
24" Wide		
	A	C
XPB-2624-FL	25.812	27.562
XPB-3124-FL	31.062	27.562

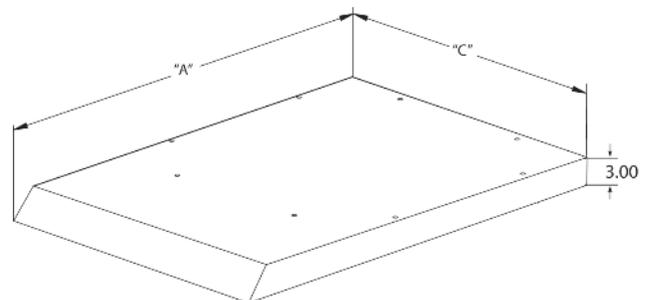


Anti Tip Base

This base can be used for anti-tip requirements or as a caster dolly by ordering 1 pair of HW-4999 and 1 pair of HW-4989 casters. The base extends 12" from the front of mounted frame.

Anti-Tip Base Part Numbers & Dimensions

19" Wide		
	A	C
XPB-2619-AT	38.312	22.562
XPB-3119-AT	43.562	22.562
24" Wide		
	A	C
XPB-2624-AT	38.312	27.562
XPB-3124-AT	43.562	27.562



Frame Joining Hardware

Frame Joiners

When joining two or more emission control frames side by side, it is necessary to order and install a frame joiner between all frames. Joiner is inserted between the fully plated frames to provide shielding.

Vertical Frame Joiner Part Numbers

For Use With 26.313" Deep Frames	For Use With 31.563" Deep Frames
EFJ-2626	EFJ-3126
EFJ-2633	EFJ-3133
EFJ-2635	EFJ-3135
EFJ-2640	EFJ-3140
EFJ-2649	EFJ-3149
EFJ-2652	EFJ-3152
EFJ-2661	EFJ-3161
EFJ-2663	EFJ-3163
EFJ-2670	EFJ-3170
EFJ-2678	EFJ-3178

Slope Front Frame Joiner Part Numbers

For Use With 26.313" Deep Frames	For Use With 31.563" Deep Frames
EFJ-2617	EFJ-3117
EFJ-2621	EFJ-3121

