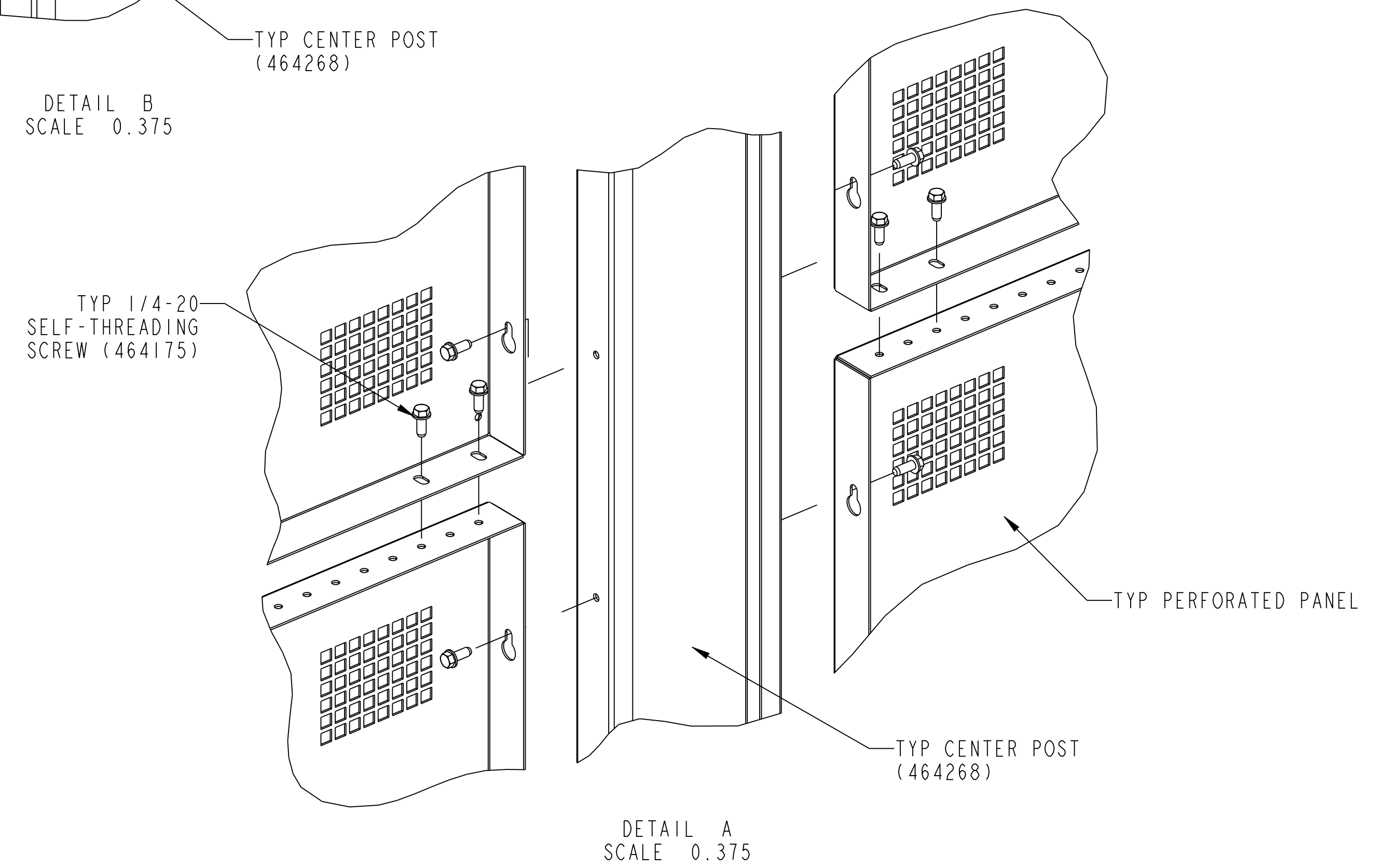
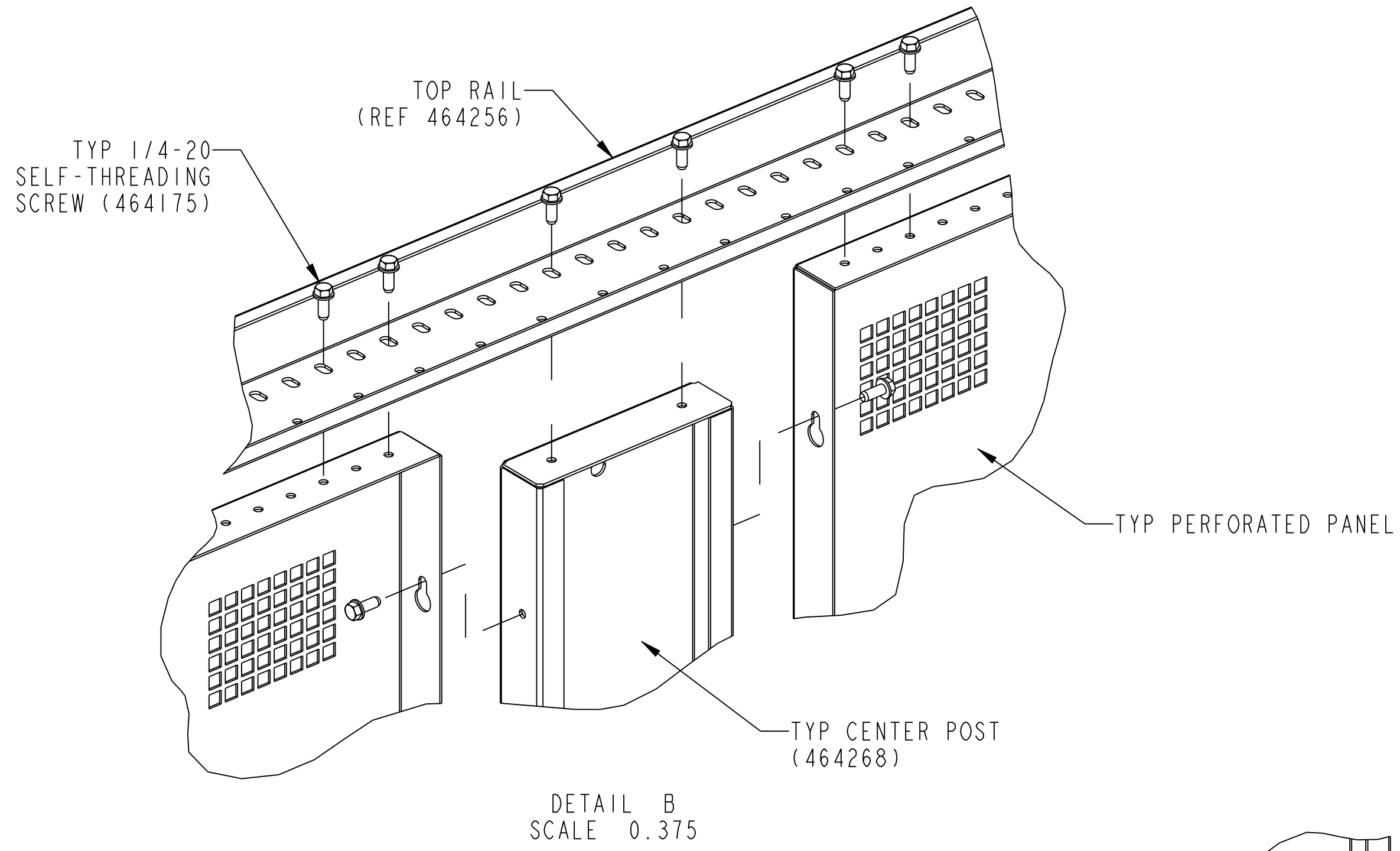
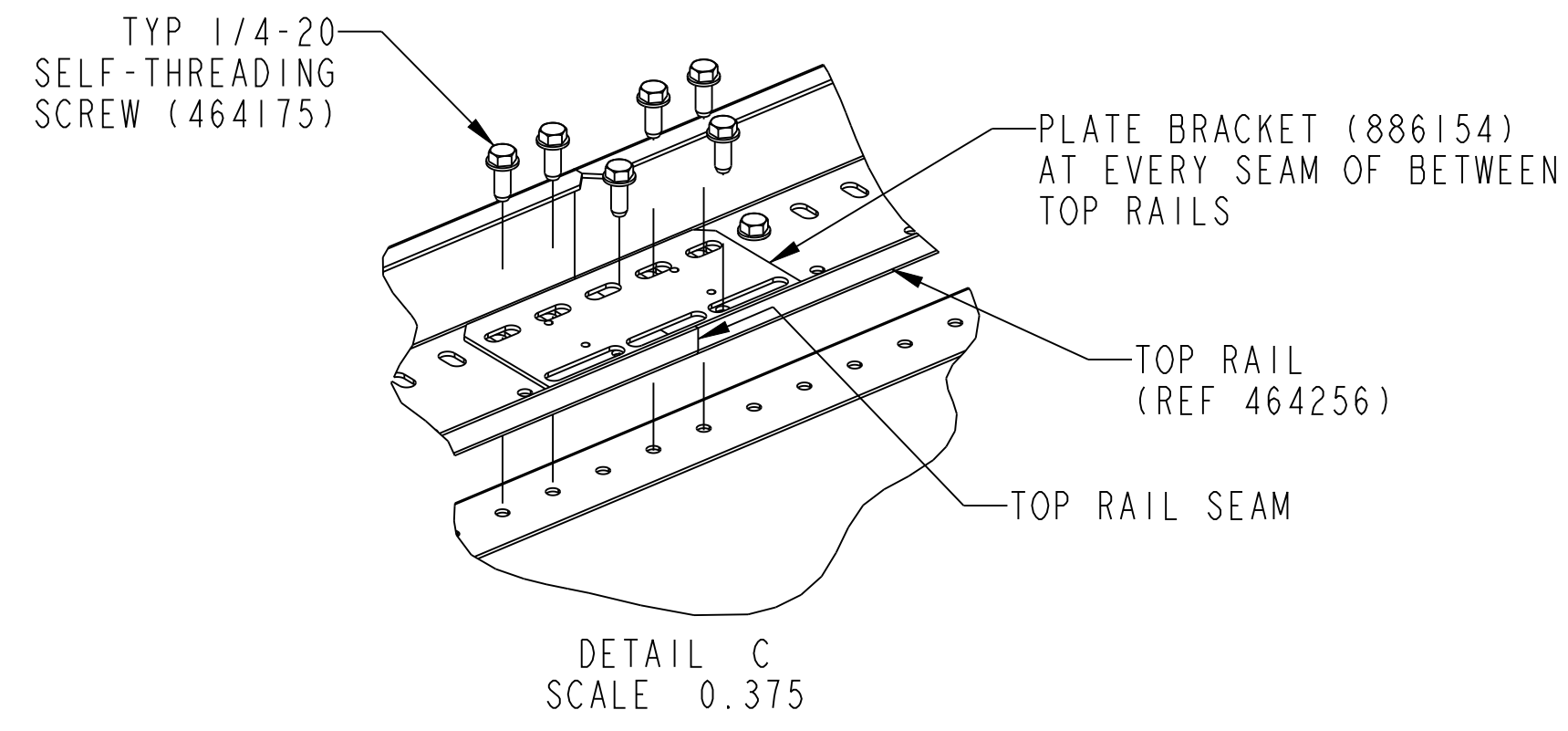
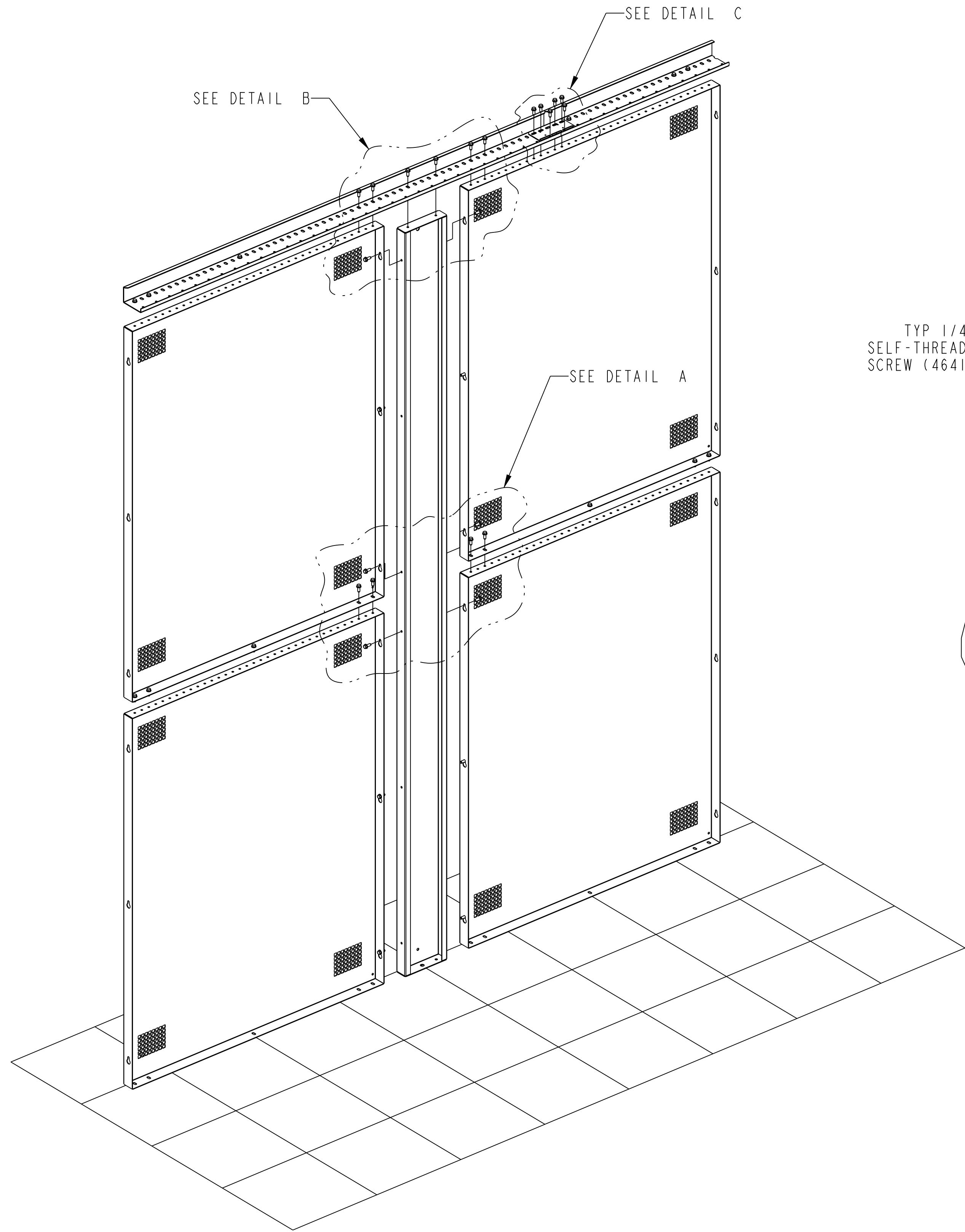


# TYPICAL CAGE ASSEMBLY INSTRUCTIONS

D  
C  
B  
A



PRIME PER SPEC. NO.	FINISH PER SPEC. NO.	PROVE DESIGN	PRODUCTION
DO NOT SCALE DRAWING - REPORT ERRORS	2 PLACE DEC. ± REF. 1 PLACE MM ±(.1)	3 PLACE DEC. ± REF. 2 PLACE MM ±(.1)	ANGLES ± REF.
TOLERANCES DO NOT APPLY TO WELDED UNLESS OTHERWISE SPECIFIED	SCALE 0.009	DATE 9/10/20	OWN BY GH
THE INFORMATION HEREON IS THE CONFIDENTIAL PROPERTY OF CRENLO CORPORATION. IT IS TO BE KEPT IN STRICTLY CONFIDENTIAL AND IS NOT TO BE REPRODUCED, COPIED, OR TRANSMITTED IN ANY MANNER WITHOUT THE WRITTEN PERMISSION OF CRENLO CORPORATION.	DR/APP	DATE	MODEL
0 SPLD PRODUCTION RELEASE	REVISIONS	SIMILAR TO:	REF. NO. CRENLO
PLANT 2 NEW STOCKROOM			CAGE W/ 3 DOORS
REV. 0			S-4347
CUST. NO. CRENLO			REV. 0



Manufactured By  
Crenlo  
Rochester, Minnesota 55901