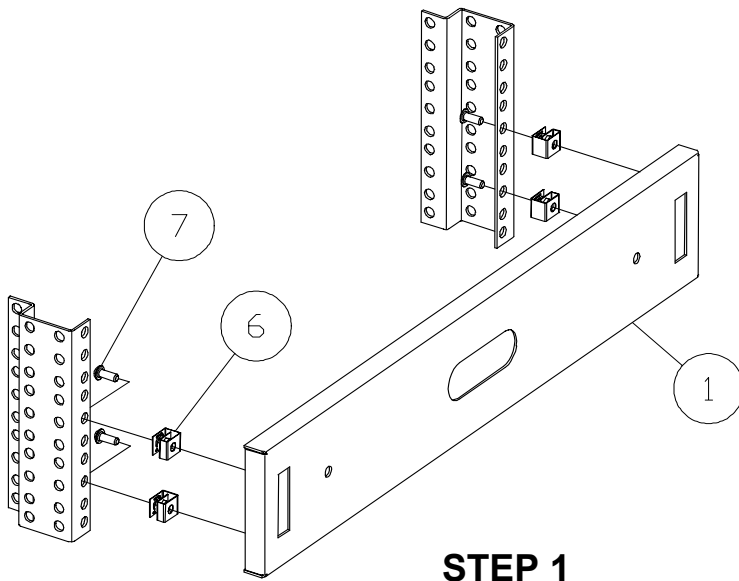


ASSEMBLY INSTRUCTIONS

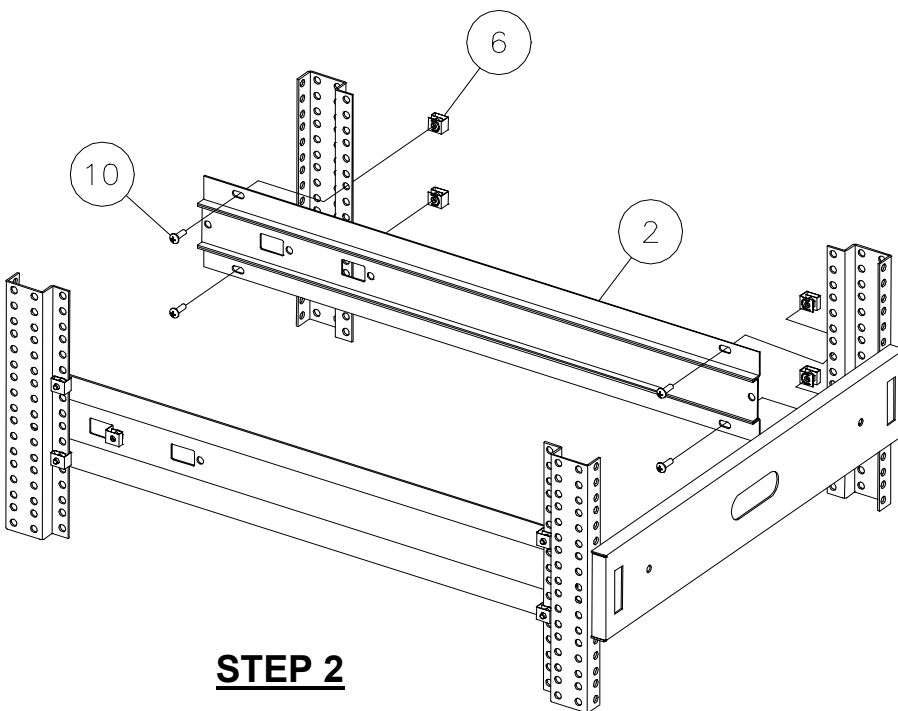
10 Series Writing Top Installation



STEP 1

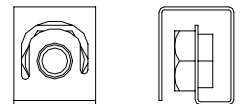
ITEM	DESCRIPTION
1	ADAPTER PANEL
2	MOUNTING BRACKET
3	SUPPORT BAR
4	ANGLE
5	WRITING TOP
6	10-32 CLIP NUT
7	10-32 X .50" PAN HD SCREW
8	10-32 KEPS NUT
9	10A X .50" PAN HD SCREW
10	10-32 X .625" PAN HD SCREW

QUANTITIES WILL VARY ACCORDING TO CONFIGURATION

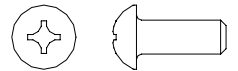


STEP 2

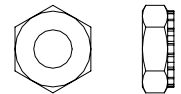
10-32 CLIP NUT



10-32 X .50" PHS



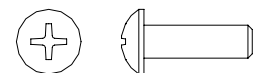
10-32 KEPS NUT



10A X .50" PHS

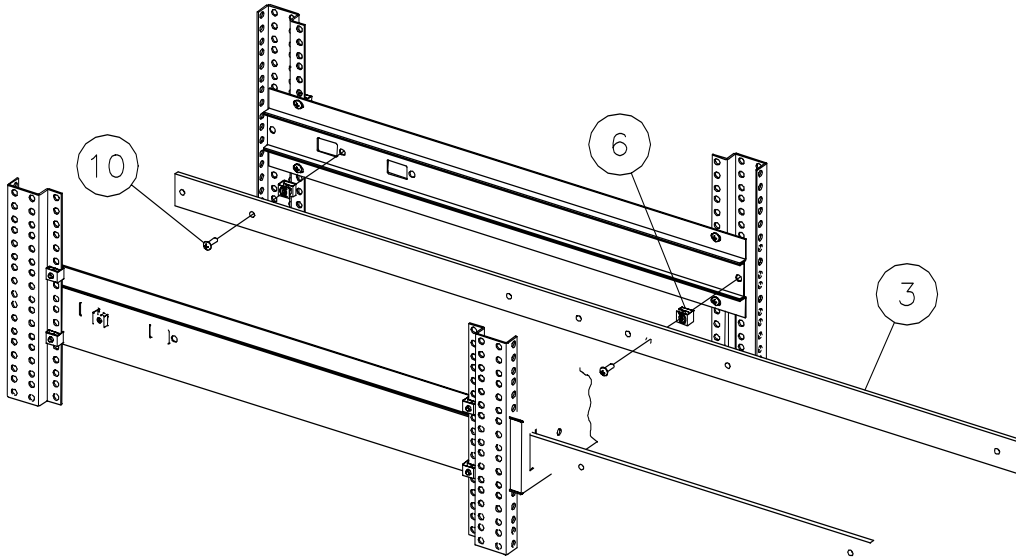


10-32 X .625" PHS

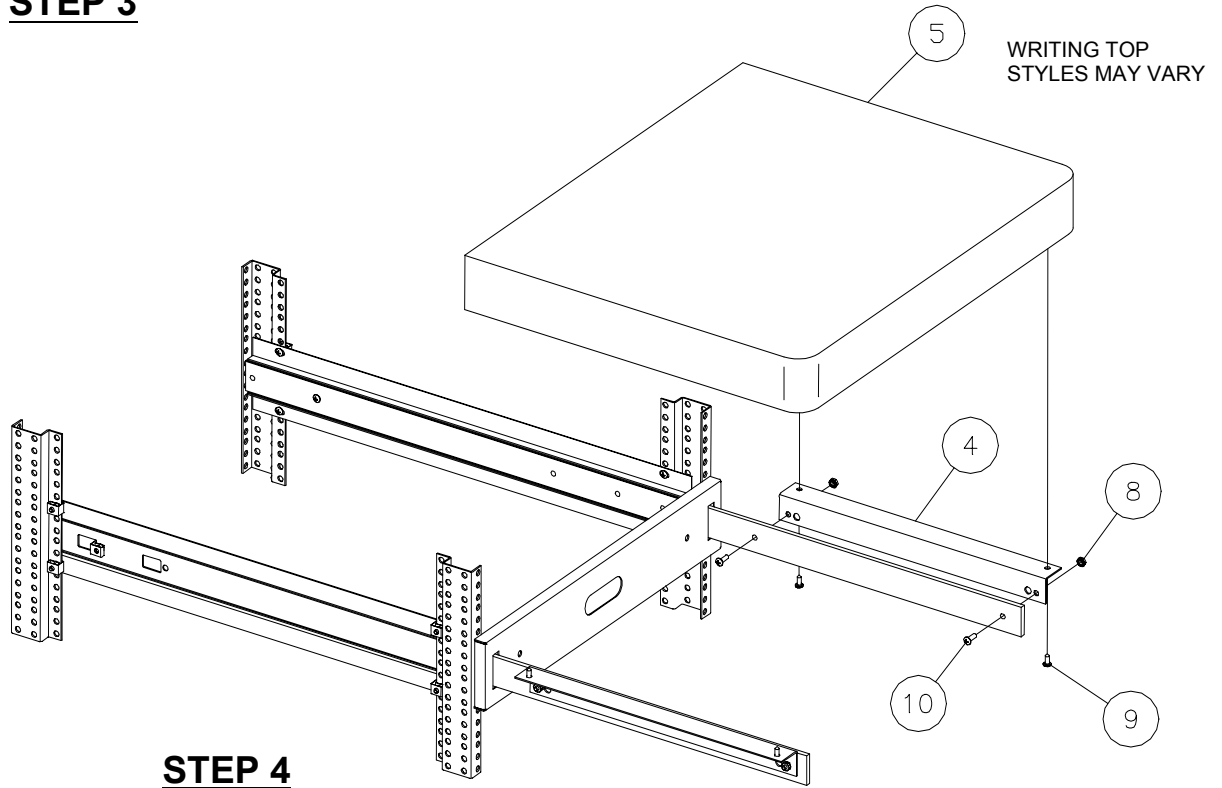


10 Series Writing Top Installation

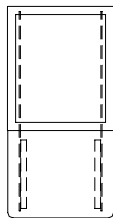
Drawing No. 946162



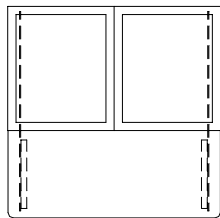
STEP 3



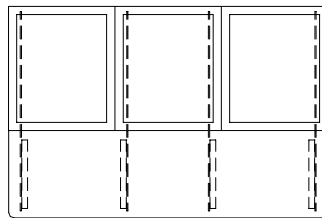
STEP 4



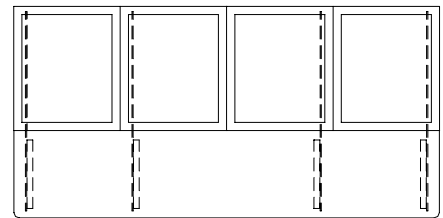
1 Bay



2 Bay



3 Bay



4 Bay