

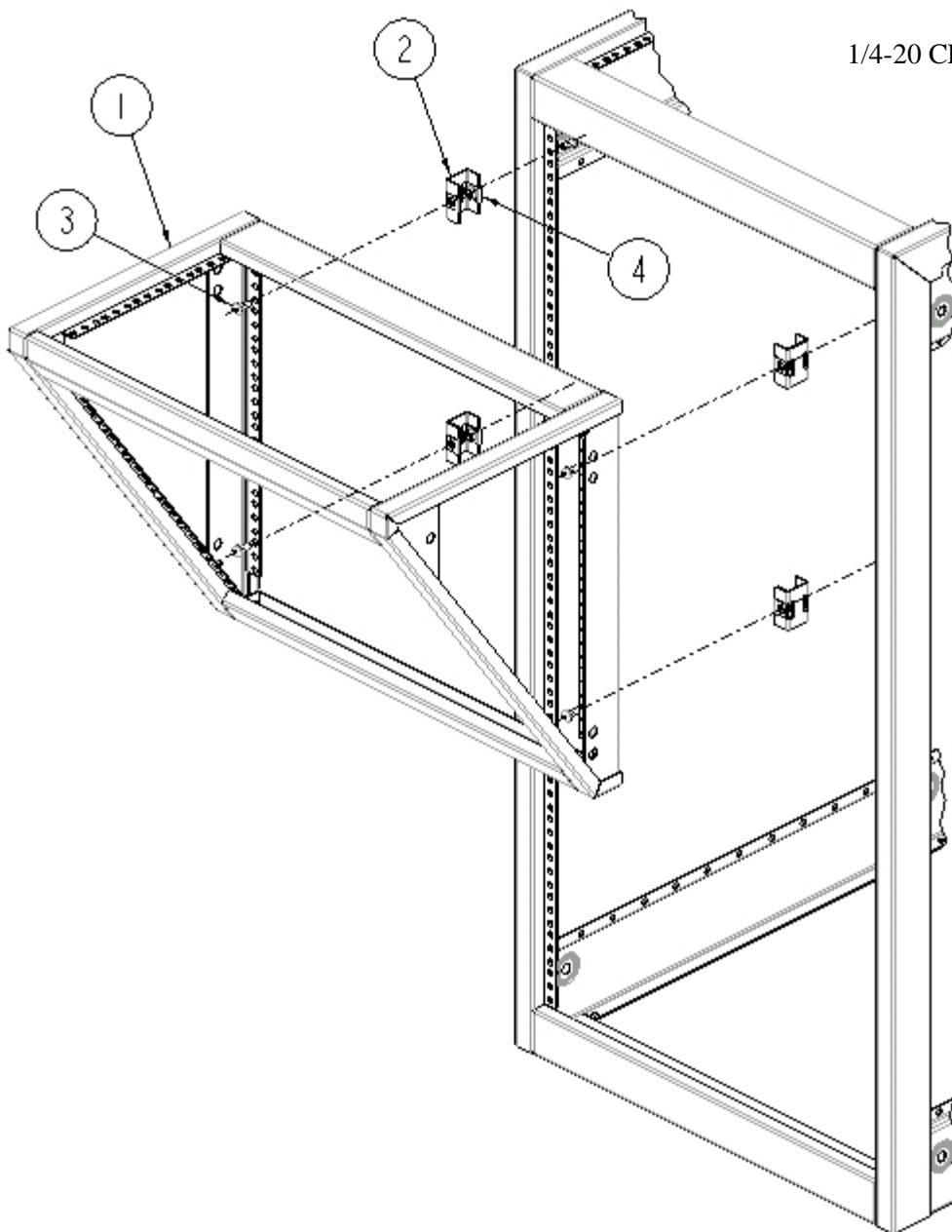
# ASSEMBLY INSTRUCTIONS

## ESQ Turret Mounting

STEP 1: Fasten the joining clip (ITEM 2) to the rear mounting angle of the turret frame using ITEM 3 and ITEM 4.

STEP 2: Position the turret frame (ITEM 1) on the Vertical frame. Fasten together using the joining clip, ITEM 3 and ITEM 4.

ITEM	DESCRIPTION
1	TURRET FRAME
2	JOINING CLIP
3	1/4-20 X .62 PAN HD SCREW
4	1/4-20 CLIP NUT



1/4-20 X .62 PHS



1/4-20 CLIP NUT

