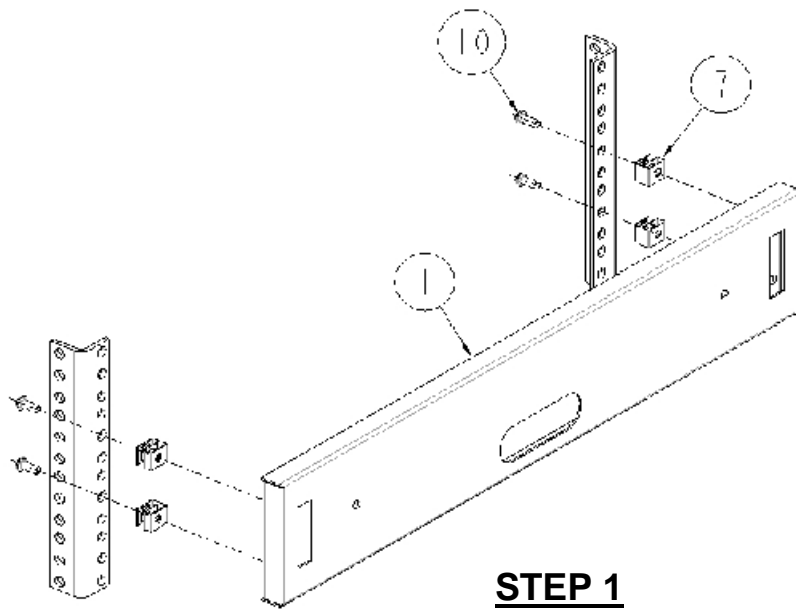


# ASSEMBLY INSTRUCTIONS



(507) 287-3535 www.emcorenclosures.com

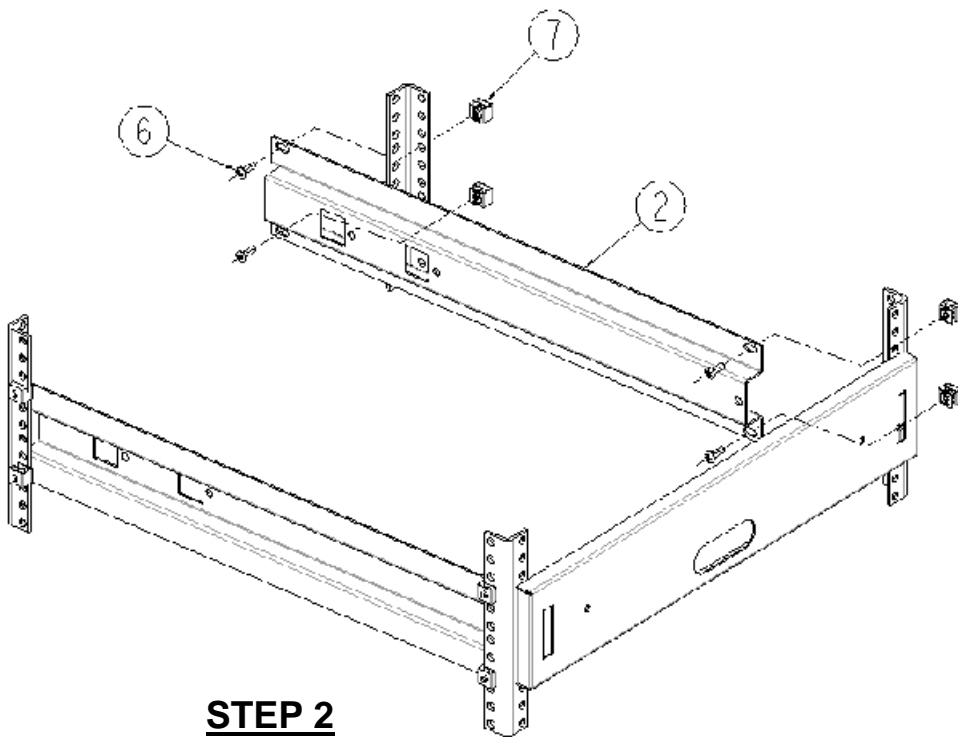
## ESQ Writing Top Installation



**STEP 1**

ITEM	DESCRIPTION
1	ADAPTER PANEL
2	MOUNTING BRACKET
3	SUPPORT BAR
4	ANGLE
5	WRITING TOP
6	10-32 .63" PHS
7	10-32 CLIP NUT
8	10-32 KEPS NUT
9	10A X .50" SMS
10	10-32 .50" PHS

QUANTITIES WILL VARY ACCORDING TO CONFIGURATION

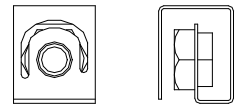


**STEP 2**

10-32 X .63" PHS



10-32 CLIP NUT



10-32 KEPS NUT



10A X .50" SMS



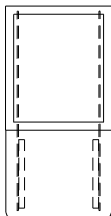
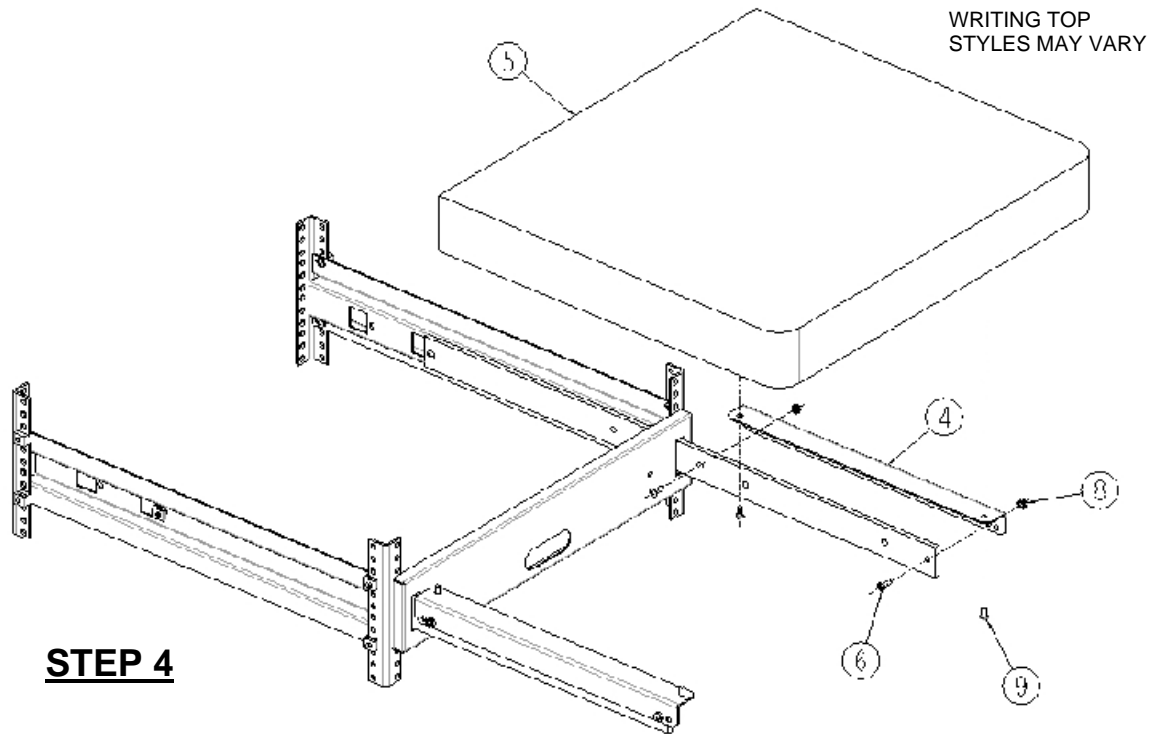
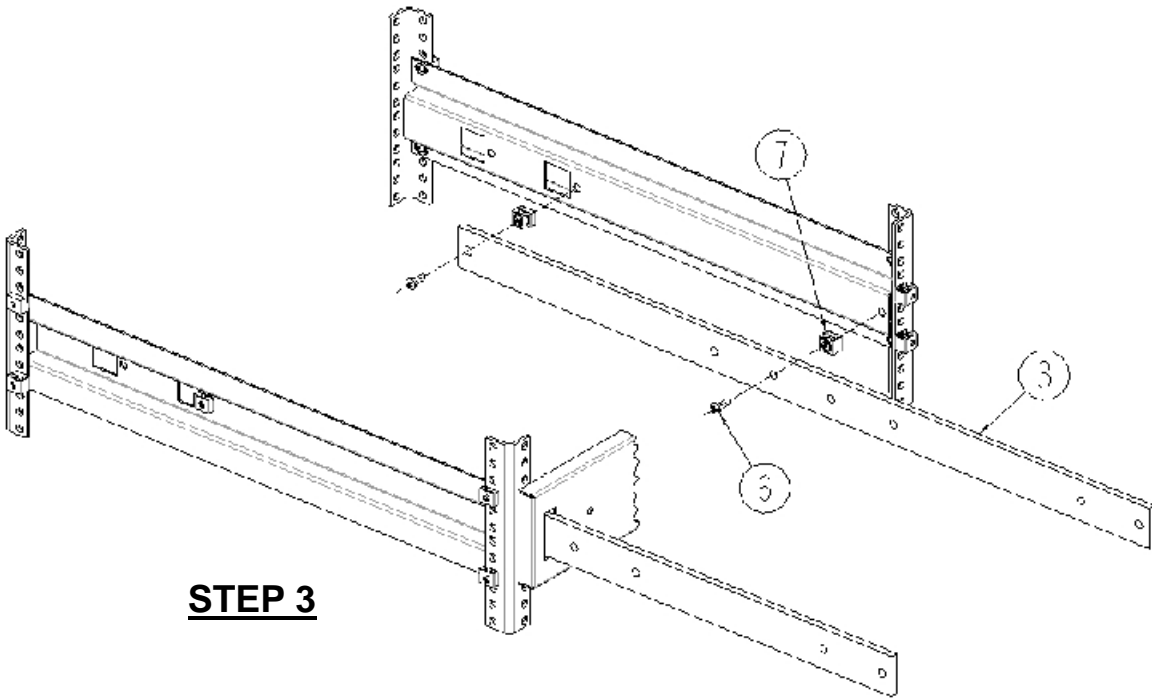
10-32 X .50" PHS



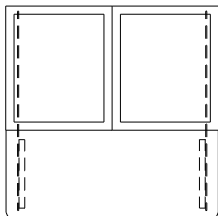
Drawing No. 946160

# ESQ Writing Top Installation

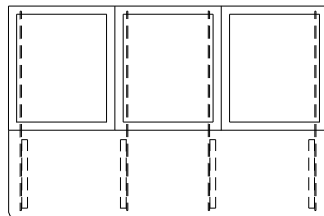
Drawing No. 946160



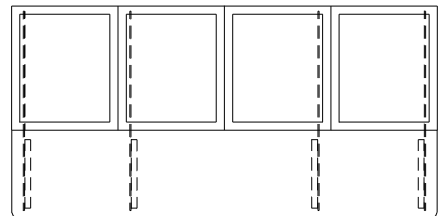
1 Bay



2 Bay



3 Bay



4 Bay