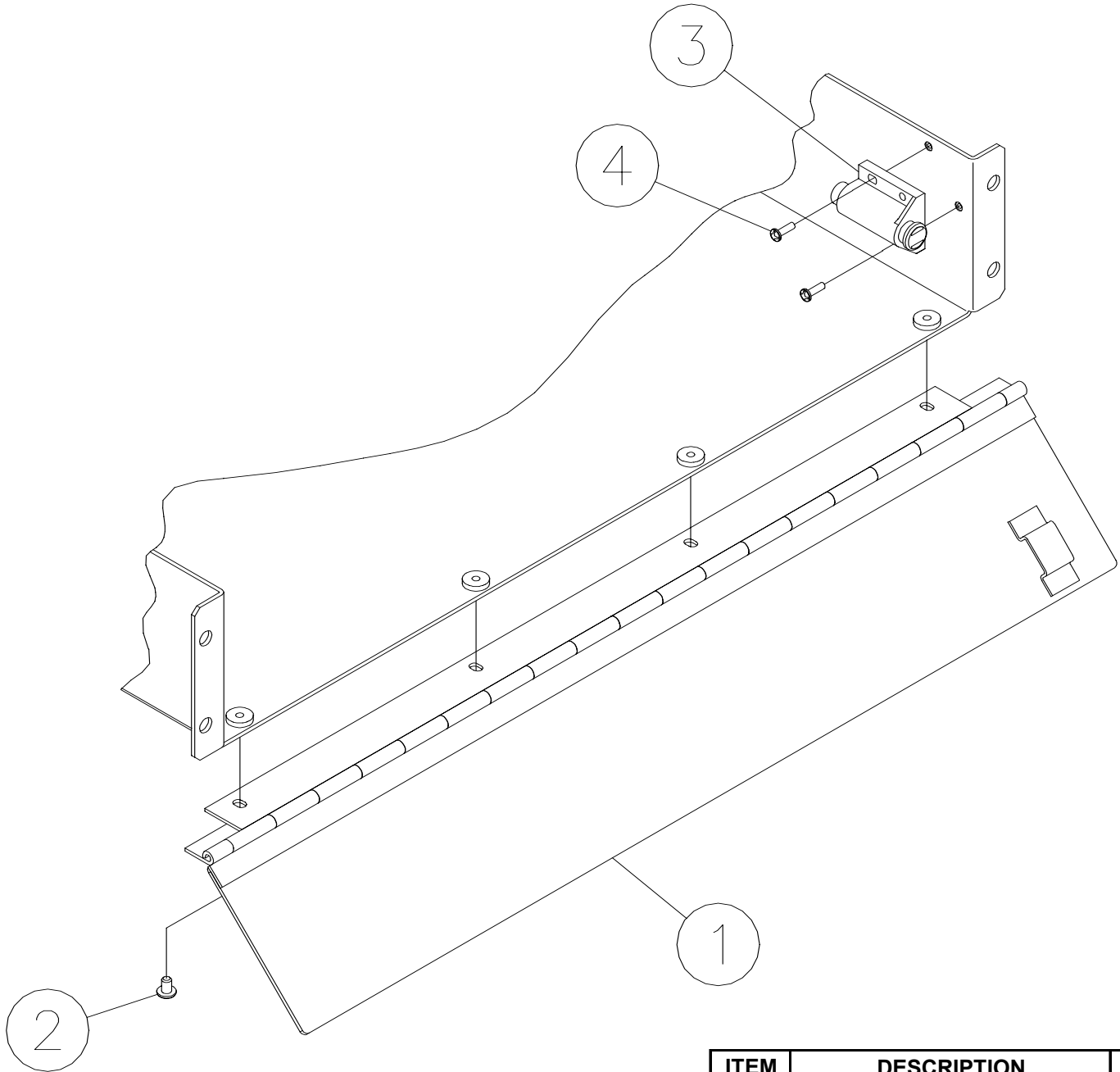


ASSEMBLY INSTRUCTIONS

Retractable Keyboard Door

(507) 287-3535 www.emcorenclosures.com



ITEM	DESCRIPTION	QTY
1	DOOR	1
2	#8-32 x .25 PAN HD SCREW	4
3	MAGNETIC TOUCH LATCH	1
4	#4-40 x .375 PAN HD SCREW	2