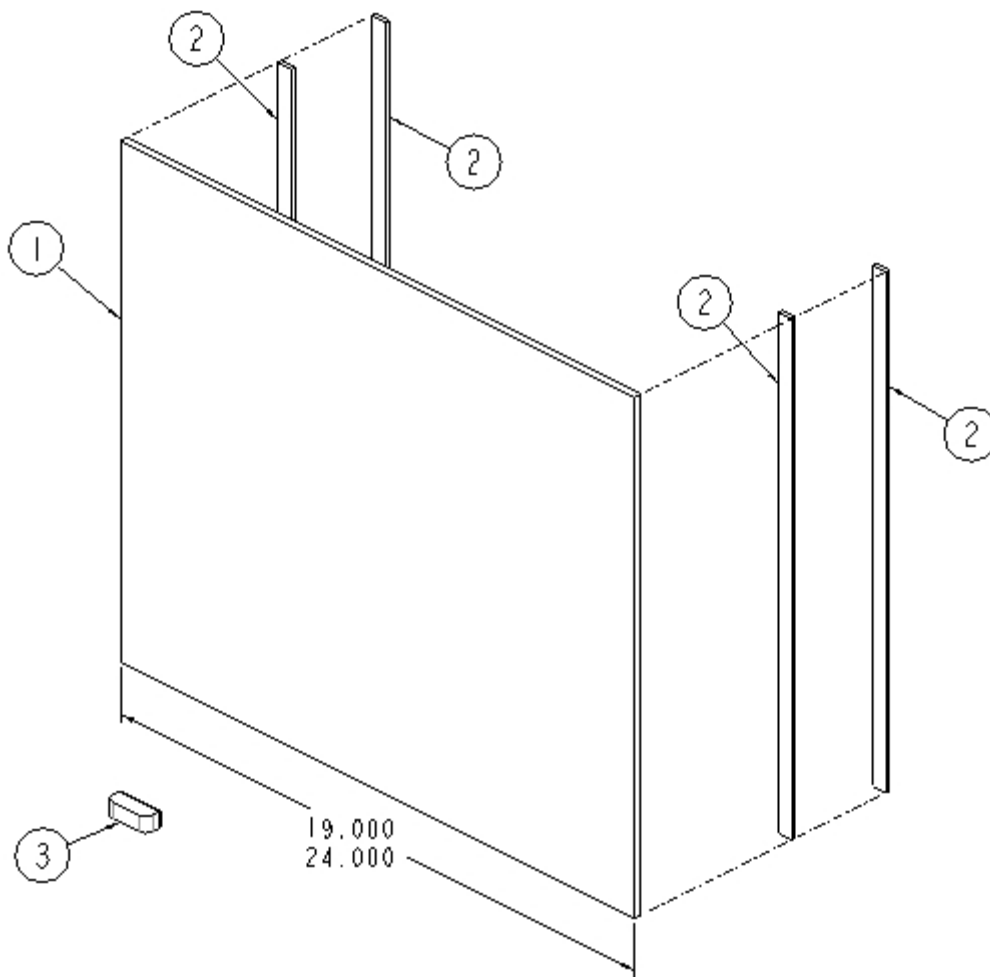


Emcor Monitor Mask Panel Without Monitor Shelf

- Step 1: Remove protective paper from rear side of Plexiglas (item 1).
- Step 2: Measure Plexiglas panel (item 1) and cut magnetic strips (items 2) to required length.
- Step 3: Remove magnetic paper from the first magnetic strip (item 2) and apply to the rear of the Plexiglas panel (item 1).
- Step 4: Remove magnetic paper from the other magnetic strip (item 2) and apply to the rear of the first magnetic strip.
- Step 5: Repeat steps 3 and 4 for the other magnetic strips (item 2).
- Step 6: Remove protective paper from the front side of Plexiglas panel (item 1).
- Step 7: Place Plexiglas panel (item 1) into frame opening.
- Step 8: Remove protective paper from handle (item 3) and apply to the front of the Plexiglas panel (item 1) at desired location.



Drawing No. 440849

Emcor Monitor Mask Panel With Monitor Shelf

Drawing No. 440849

*** These assembly instructions explain normal installation of Plexiglas panel when the monitor shelf is mounted in the bottom of the frame opening. Magnetic strips will be notched differently when monitor shelf is located in a different position.

Step 1: Remove protective paper from rear side of Plexiglas (item 1).

Step 2: Measure Plexiglas panel (item 1) and cut magnetic strips (items 2) to required length. The magnetic strips (item 2) will not be applied to the Plexiglas in the area of the monitor shelf (item 4).

Step 3: Remove magnetic paper from the first magnetic strip (item 2) and apply to the rear of the Plexiglas panel (item 1).

Step 4: Remove magnetic paper from the other magnetic strip (item 2) and apply to the rear of the first magnetic strip.

Step 5: Repeat steps 3 and 4 for the other magnetic strips (item 2).

Step 6: Remove protective paper from the front side of Plexiglas panel (item 1).

Step 7: Place Plexiglas panel (item 1) into frame opening.

Step 8: Remove protective paper from handle (item 3) and apply to the front of the Plexiglas panel (item 1) at desired location.

