

# ASSEMBLY INSTRUCTIONS

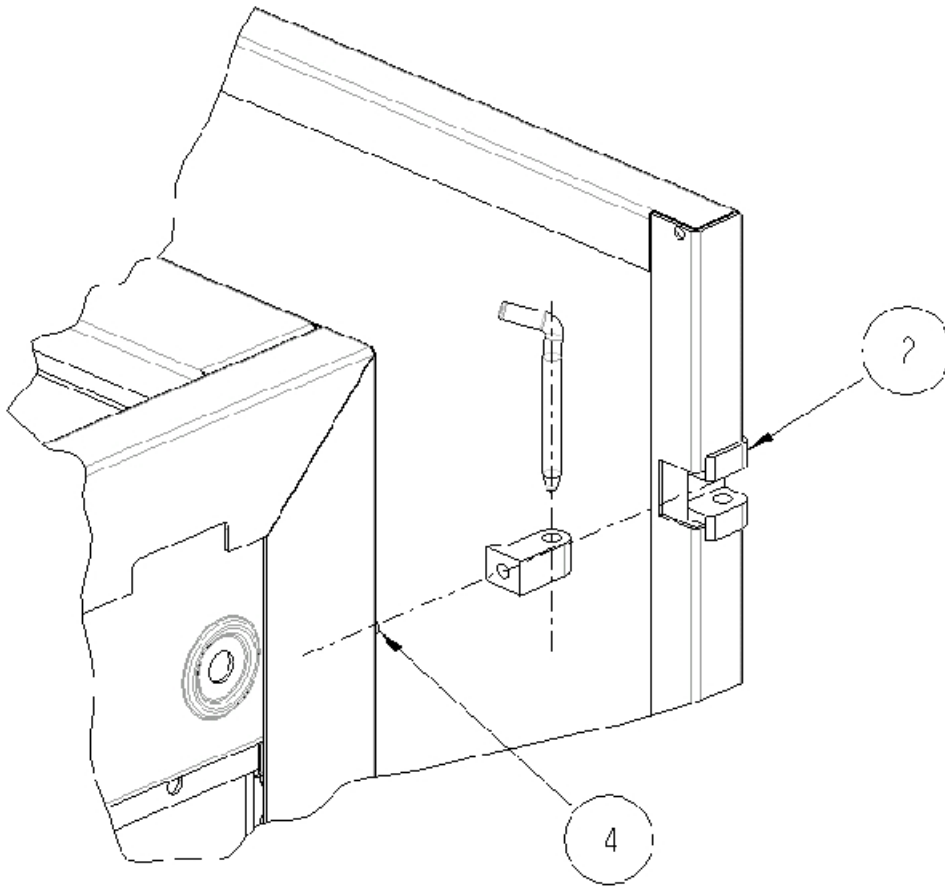


(507) 287-3535 www.emcorenclosures.com

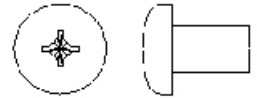
## Emcor Surface Door (FOR BOTH ESQ AND 10 SERIES APPLICATIONS)

ITEM	DESCRIPTION
1	SURFACE DOOR-PAINT
2	HINGE-EMKS 180 DEG
3	LATCH STRIKE
4	M6 X 10 PHS
5	10-32 TFS
6	BUMPER

QUANTITIES WILL VARY ACCORDING TO CONFIGURATION



M6 X 10 PHS



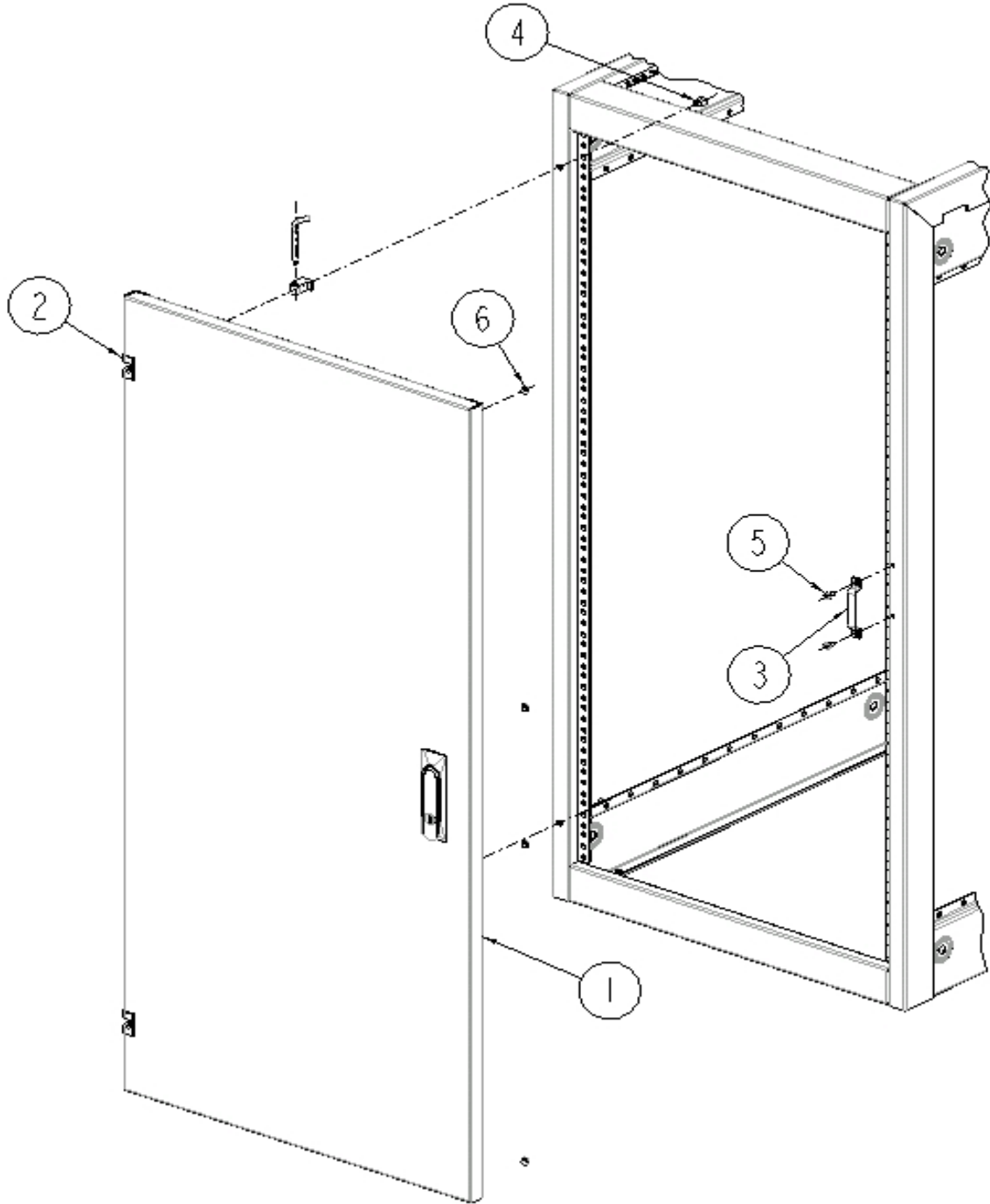
10-32 TFS



Drawing No. 946172

# Emcor Surface Door

Drawing No. 946172



**CONTACT FACTORY FOR HOLE  
DRILLING DETAILS IF REQUIRED**