



# Emcor<sup>®</sup> FP1 Catalog

[www.emcorenclosures.com](http://www.emcorenclosures.com) | 507-287-3535



Our objective is to define our customer's quality requirements, and to produce products and services that meet or exceed those expectations. We are committed to continuous improvement through education, process advancements and problem prevention.

**Engineering Drawings**

The dimensional drawings that are shown on the following pages are for reference only. Detailed engineering drawings are available upon request.

## Emcor® FP1 Product Line

The FP1 console is a unique, flexible and functional solution for your monitoring or surveillance requirements. Available in both 19" and 24" EIA width frame sizes, the console's unique two-tier design allows users to take full advantage of flat panel technology. Combine this with our long standing expertise, competitive pricing and uncompromising customer satisfaction and you have the perfect fit for your needs.



### Table of Contents

- Overview ..... 2-3
- Ordering Guide ..... 4-5
- Base Structure ..... 6-9
- Monitor Arms ..... 10-14
- Turret Accessories ..... 15-17
- Keyboard/Pencil Trays ..... 18-19
- Power ..... 20
- Grounding ..... 21
- Cable Management ..... 22-23
- Lighting ..... 24-25
- Shelves/Drawers ..... 26-36
- Airflow Management ..... 37-41
- Panels ..... 43-45
- Doors ..... 46-47
- Hardware ..... 48-49

### How to Order

Emcor Enclosures are configure to order, meaning each component of the enclosure is ordered separately. This process allows the most versatility in the final appearance and function of the enclosure or console. Simply follow the steps listed below.

#### 1 DETERMINE THE FRAME PART NUMBER

Because the basic building block is the frame it will be your first selection.

#### 2 REVIEW THE ORDERING GUIDE (LOCATED IN THE BACK OF THE CATALOG)

Once you have selected a frame part number, locate it in the ordering guide. Note that the ordering guide is organized so that compatible accessories are listed to the right of the frame part numbers.

#### 3 ISSUE ORDERS TO

All correspondence and PO's should be addressed to:

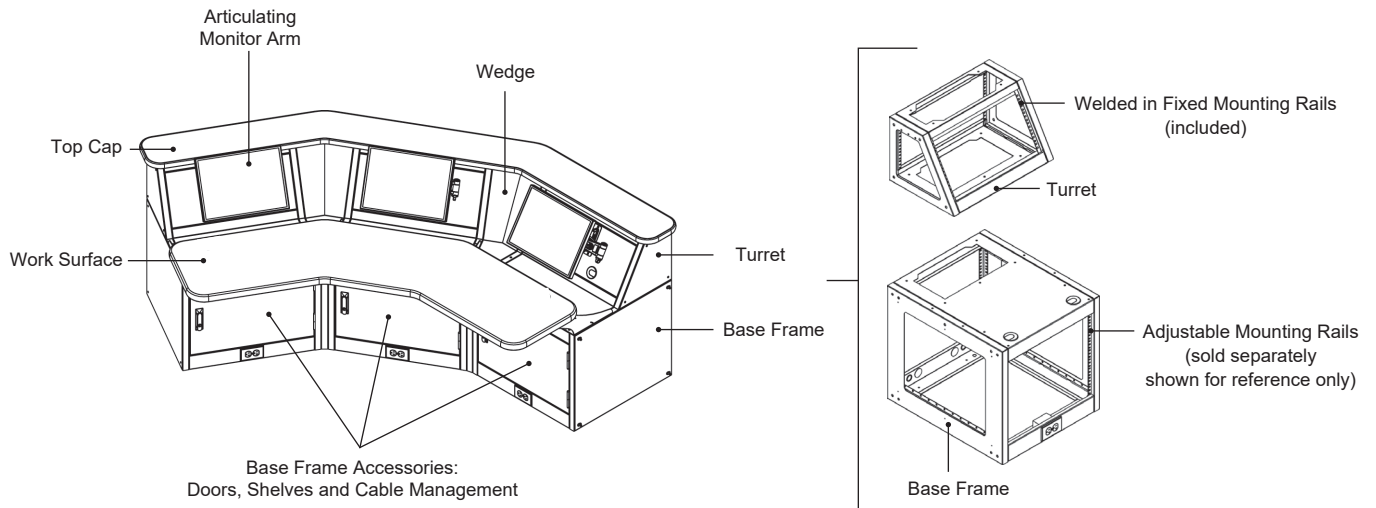
Emcor Enclosures  
2900 37th St. NW, Bldg 003  
Rochester, MN 55901

Submit the Purchase Order (PO) to the Sales Representative indicated on the quote.  
Be sure to include a copy of the quote.

# Overview

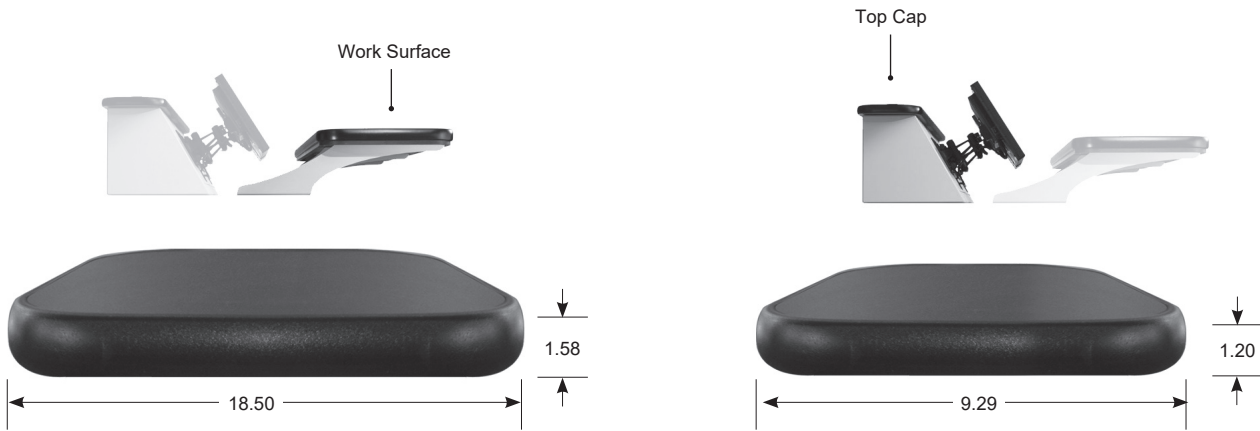
## Structure

An FP1 console is made up of a combination of base frames and turrets along with wedges. The console is finished with a work surface and top cap. Accessories such as articulating monitor arms, power, shelves, drawers, airflow and cable management items can be added per application requirements.



## Work Surface and Top Cap

The FP1 work surface and top cap are designed for high usage work areas. They are constructed of high-quality laminate bonded to a wood particle board substrate surrounded by a durable black colored edging.



## Paint/Finish

Our products are finished in textured powder paint. Powder coating provides a durable high-quality finish. Select from one of nine proprietary color options. Sample kits are available upon request.

### Part Numbers

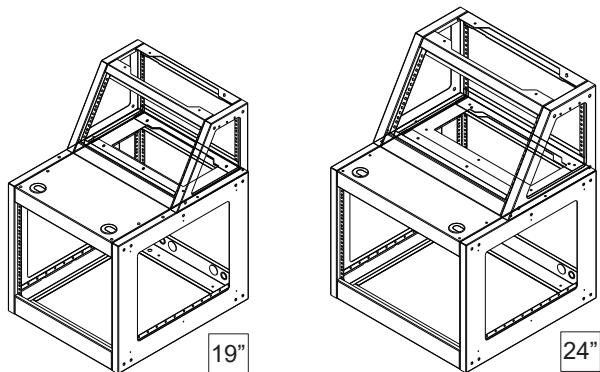
Color	Part Number
White	TX-WH
Neutral	TX-NUP
Graystone	TX-GSP
Caribbean Blue	TX-CRBP
Fawn	TX-FNP
Steel	TX-STP
Putty	TX-PTP
Black	TX-BKP
Hi-Tech Gray	TX-HTGP



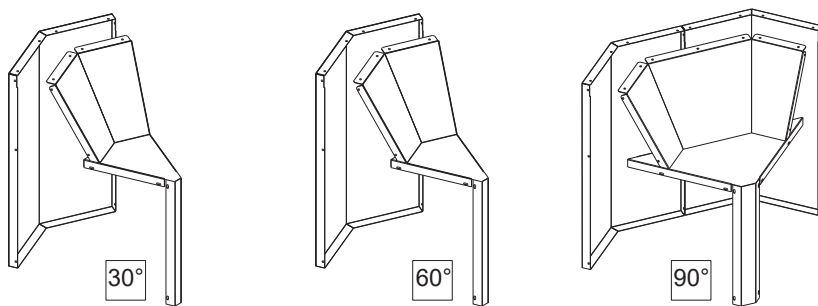
### Custom Paint/Finish

Custom paint colors or finishes can be accommodated. Please contact us with your requirement. Additional charges may apply.

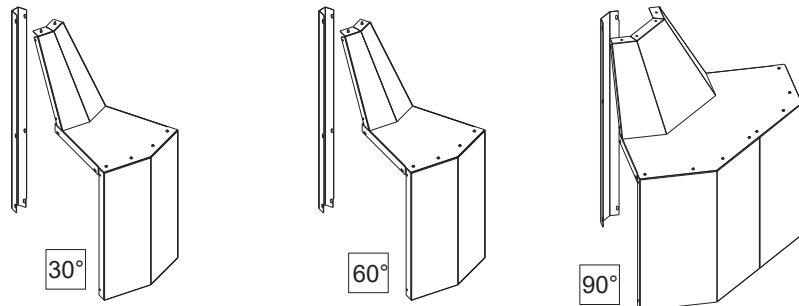
**Base Frame & Turret Combination**



**Wedge(s)**



**Reverse Wedge(s)**



**Touch Up or Refinishing Paint**

We offer our proprietary paint colors in a Paint Pen.

**Part Numbers**

Color	Paint Pen
White	<b>PEN-WH</b>
Neutral	<b>PEN-NU</b>
Graystone	<b>PEN-GS</b>
Caribbean Blue	<b>PEN-CRB</b>
Fawn	<b>PEN-FN</b>
Steel	<b>PEN-ST</b>
Putty	<b>PEN-PT</b>
Black	<b>PEN-BK</b>
Hi-Tech Gray	<b>PEN-HTG</b>

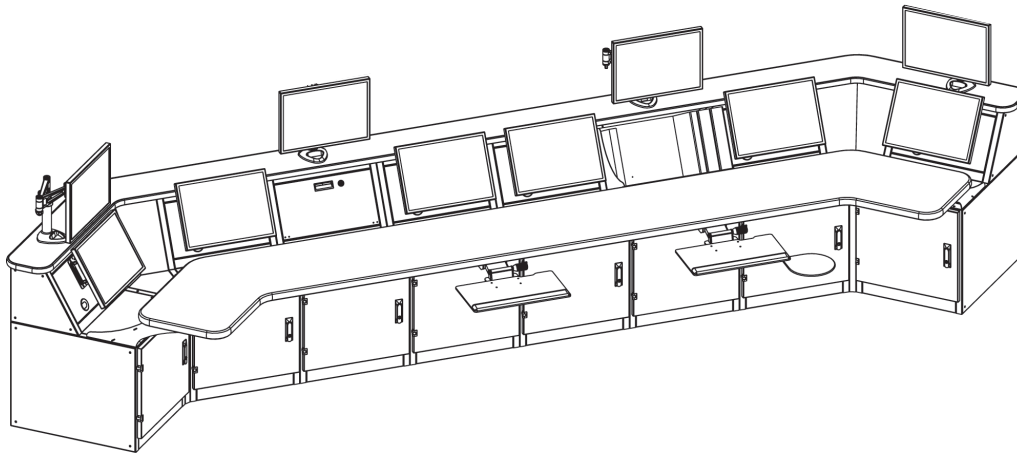


# Ordering Guide - Configuring the Console

The FP1 console is made up of two main components, the base frame and the turret.

- Begin with a base frame and turret combination and gang as many of them together as needed to fit your space.
- Insert wedge frames as needed to turn corners.
- Configure the work surface and top cap.
- Once your layout is complete, add monitor arms and accessories.

## Sample Configuration



Base Structure from Left to Right	Part Numbers
Position 01: 19" panel width Base Frame and Turret	SFRB-251519      SFRT-1419-60
Position 02: 45° Wedge	WK-45-10
Position 03: 19" panel width Base Frame and Turret	SFRB-251519      SFRT-1419-60
Position 04: 19" panel width Base Frame and Turret	SFRB-251519      SFRT-1419-60
Position 05: 19" panel width Base Frame and Turret	SFRB-251519      SFRT-1419-60
Position 06: 19" panel width Base Frame and Turret	SFRB-251519      SFRT-1419-60
Position 07: 19" panel width Base Frame and Turret	SFRB-251519      SFRT-1419-60
Position 08: 19" panel width Base Frame and Turret	SFRB-251519      SFRT-1419-60
Position 09: 45° Wedge	WK-45-10
Position 10: 19" panel width Base Frame and Turret	SFRB-251519      SFRT-1419-60

Work Surface and Top Cap	Part Numbers
Work Surface	WS-AFAAAAAAFA
Top Cap	TC-HLGHGGHGLH

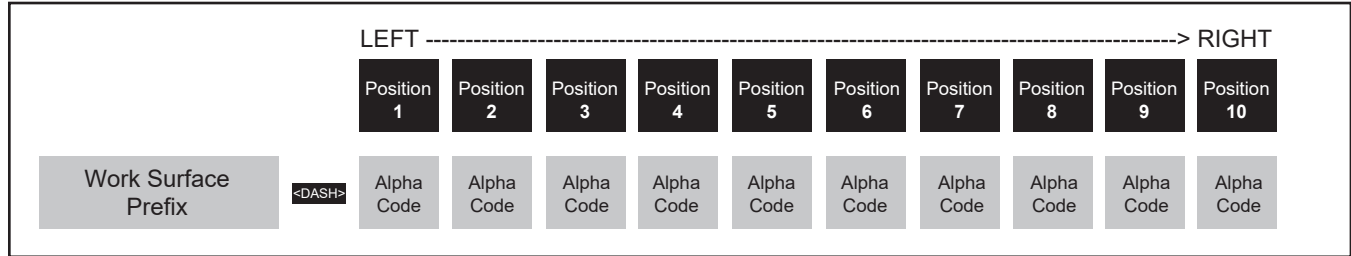
Accessories	Part Numbers
Keyboard Trays x2	E-SM16
Monitor Support Panels for Turret Frames x6	XPN-1019-MSP
Panel Mount Articulating Monitor Arms x6	HS-T1-N
Grommet Mount Base x4	HS-B-G
Articulating Monitor Arms for Grommet Mount Bases x4	HS-P1-S12S12
Turret Storage Compartment x1	TSC-1019
Turret Book Shelf x1	TBS-1019
Side Panels for Turrets - Left x1 Right x1	SP-1410-LH      SP-1410-RH
Side Panels for Base Frames x2	SP-2515
Surface Doors for Base Frames x8	DS-ESL-1619

**Note:** Rear panels/doors not indicated on list.

# Ordering Guide - Configuring the Work Surface and Top Cap

## Developing the Work Surface part number.

- Insert the prefix WS to indicate “work surface”
- <DASH>
- Beginning in the left position of the configuration and continuing to the right, insert the appropriate alpha code.



WS

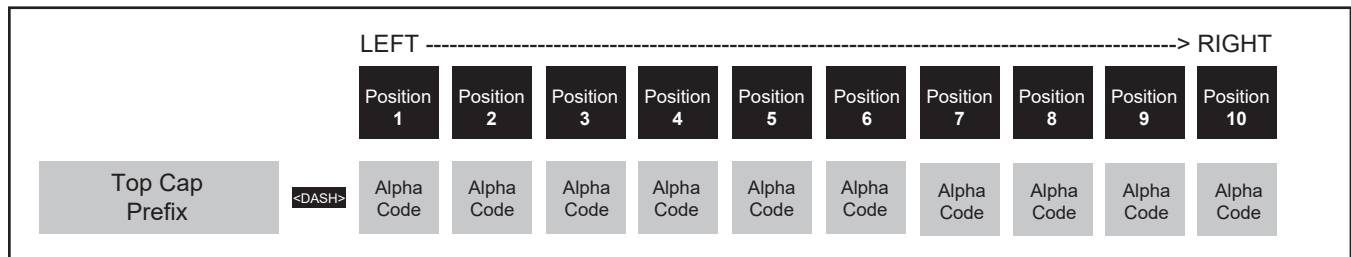
Configuration  
Alpha Code Options

- A** = 19” panel width frame
- C** = 24” panel width frame
- E** = 30° wedge
- F** = 45° wedge

- U** = 90° wedge
- V** = 30° reverse wedge
- W** = 45° reverse wedge
- T** = 90° reverse wedge

## Developing the Top Cap part number.

- Insert the prefix TC to indicate “top cap”
- <DASH>
- Beginning in the left position of the configuration and continuing to the right, insert the appropriate alpha code.



TC

Configuration  
Alpha Code Options

- G** = 19” panel width frame w/out monitor arm
- H** = 19” panel width frame with monitor arm
- I** = 24” panel width frame w/out monitor arm
- J** = 24” panel width frame with monitor arm
- K** = 30° wedge

- L** = 45° wedge
- M** = 90° wedge
- N** = 30° reverse wedge
- P** = 45° reverse wedge
- R** = 90° reverse wedge

## Laminate

The following laminate colors are available. Sample kits are available upon request.

### Part Numbers

260	Warm Cherry
258	Vintage Oak
259	Butternut
250	Antique White
264	String

### Part Numbers

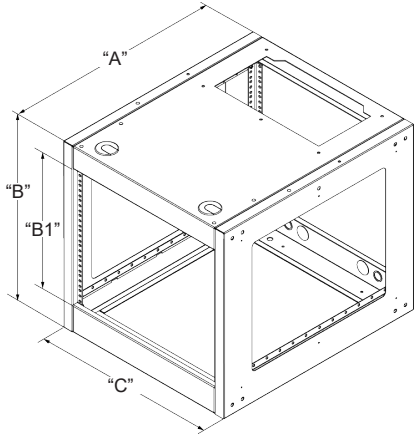
256	Onyx
262	Speckle Gray
255	Granite
263	Birch
252	Sandstone



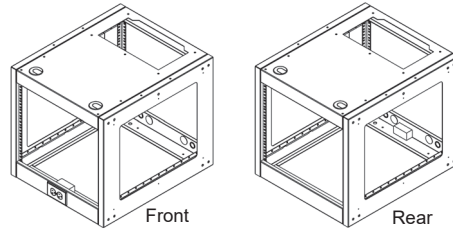
# Base Frames

## Base Frames

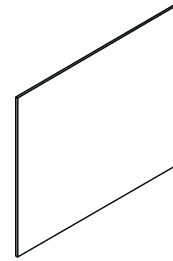
Base frames are unique multifunctional components of the FP1 product line. Frames are offered in both 19" and 24" panel widths and can house rack mount equipment or be used as a storage compartment. Additionally, the base can be ordered with a duplex outlet located in the front or rear. Complete the base frame by adding end panels and accessorizing the front and rear openings. Mounting rails are sold separately and are shown for reference only.



**Base Frame**  
[14-gauge steel]



**Optional Duplex Outlet Locations**



**Solid**

## Part Numbers

19" EIA Width				"A"	"B"	"B1"	
No Outlet	Duplex Outlet Front	Duplex Outlet Rear	"C" Overall Width	Overall Depth	Overall Height	Usable Height	
<b>SFRB-251519</b>	<b>SFRB-251519-DOF</b>	<b>SFRB-251519-DOR</b>	21.560	25.500	21.630	15.750	9U

## Base Frame End Panels

Flat
Inside Removable
Solid
<b>SP-2515</b>

24" EIA Width				"A"	"B"	"B1"	
No Outlet	Duplex Outlet Front	Duplex Outlet Rear	"C" Overall Width	Overall Depth	Overall Height	Usable Height	
<b>SFRB-251524</b>	<b>SFRB-251524-DOF</b>	<b>SFRB-251524-DOR</b>	26.560	25.500	21.630	15.750	9U

## Panel Width Adapter Kits

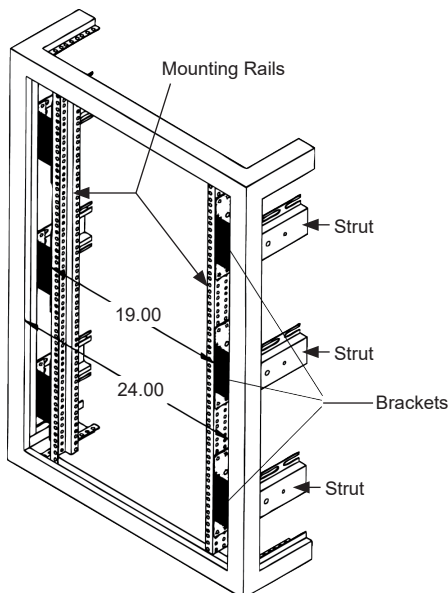
Panel width adapter kits provide a means of reducing the entire panel width from 24" to 19" adding approximately 2.5" of available space between the frame and rails.

## Panel Width Adapter Brackets

Adapter Brackets provide a means of reducing portions of the panel width from 24" to 19" while maintaining a finished appearance. 150 lb. capacity.

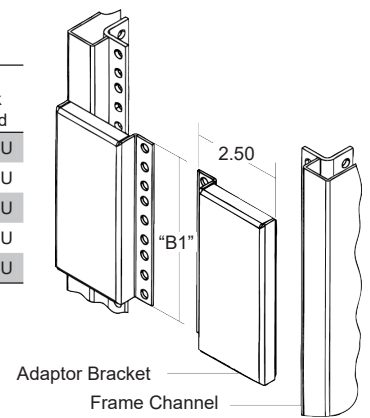
## Part Number

**PWAK-02**



## Part Numbers

	"B1"	# of Rack Units Used
<b>ABA-05</b>	5.250	3U
<b>ABA-07</b>	7.000	4U
<b>ABA-08</b>	8.750	5U
<b>ABA-10</b>	10.500	6U
<b>ABA-12</b>	12.250	7U



**Adapter Bracket**  
[14-gauge steel]



## Mounting Rails for use in Frames

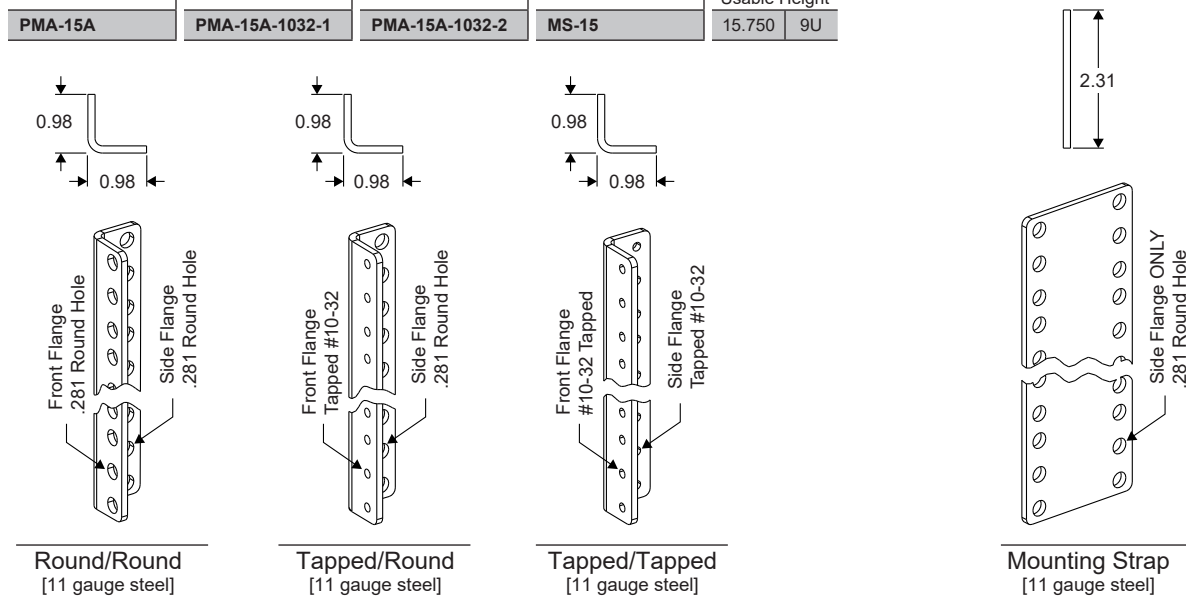
Choose from three styles of mounting rails. "Round/Round".281" diameter round holes on both flanges of the mounting rail, "Tapped/Round".159" diameter tapped holes (10-32 NF2) on the front flange, and 281" diameter round holes on the side flange of the mounting rail, or "Tapped/Tapped".159" diameter tapped holes (10-32 NF2) on both flanges of the mounting rail. The rails are processed to specification ASTM-B633 which calls for electro-deposited zinc plating with a clear chromate conversion coating.

## Mounting Straps for use in Frames

Mounting straps are used when there is a mix of different depth accessories in a frame. Straps allow full depth items that require a rear attach point to pass by the strap and attach to the rail behind it. The straps are processed to specification ASTM-B633 which calls for electro-deposited zinc plating with a clear chromate conversion coating and include rack unit markings. Only accessories that are side mount style can be mounted to a strap.

## Part Numbers

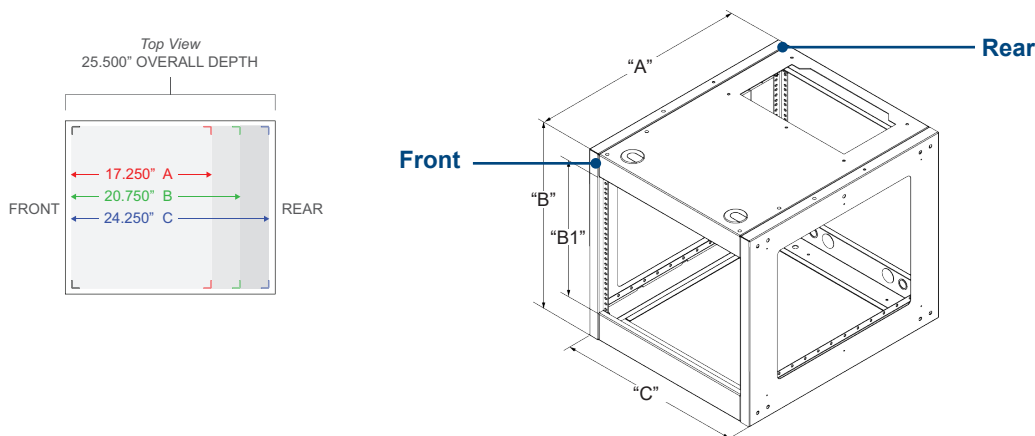
Round/Round	Tapped/Round	Tapped/Tapped	Mounting Strap	Use in Frames with this Usable Height	
PMA-15A	PMA-15A-1032-1	PMA-15A-1032-2	MS-15	15.750	9U



## Rail Settings Explained

The image below is a top view of the frame.

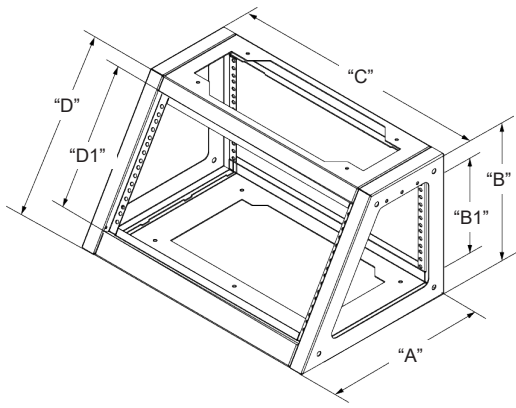
- The front rails are positioned in the farthest front position.
- The rear rails are set at position C 24.500" (If required, these rails can be positioned in location A or B - or - additional pairs of Mounting Rails or Mounting Straps can be positioned in location A or B.)



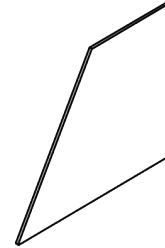
# Turret Frames

## Turret Frames

Turret frames come fully welded with two pair of fixed (welded in place) mounting rails, Turret frames are bolted to base frames prior to shipment. Complete the turret by adding end panels and accessorizing the front, slope, and rear openings.



Turret Frame  
[14-gauge steel]



Solid

### Part Numbers

19" EIA Width		"A"	"B"	"B1"	"D"	"D1"		
No Outlet	"C" Overall Width	Overall Depth	Overall Height	Usable Height	Slope Height	Usable Height		
<b>SFRT-1419-60</b>	21.560	13.990	11.820	8.750	5U	13.560	10.500	6U

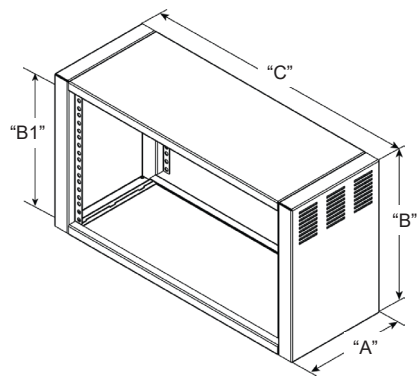
### Turret Frame End Panels

Flat Inside Removable Solid	
Left	Right
<b>SP-1410-LH</b>	<b>SP-1410-RH</b>

24" EIA Width		"A"	"B"	"B1"	"D"	"D1"		
No Outlet	"C" Overall Width	Overall Depth	Overall Height	Usable Height	Slope Height	Usable Height		
<b>SFRT-1424-60</b>	26.560	13.990	11.820	8.750	5U	13.560	10.500	6U

## Turret Extension Frames

Turret extension frames mount to the front of the turret bringing it 8" closer to the operator.



### Part Numbers

19" EIA Width		"A"	"B"	"B1"	
	"C" Overall Width	Overall Depth	Overall Height	Usable Height	
<b>TEF-1019-V</b>	21.560	8.000	12.062	10.500	6U

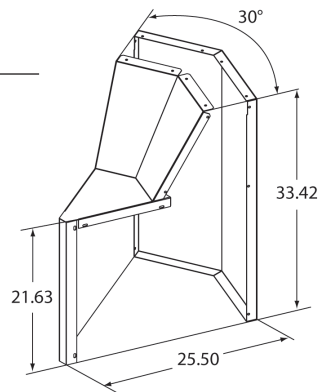
## Wedge Frames

Wedge frames provide a clean and organized appearance when changing direction in your console. Wedge frames are available in both forward and reverse styles.

30° Wedge

**Part Number**

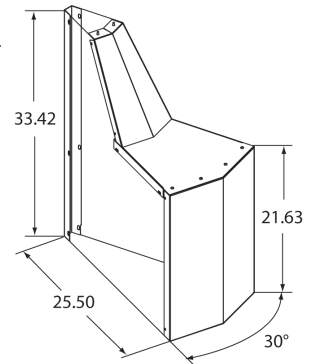
WK-30-10



30° Reverse Wedge

**Part Number**

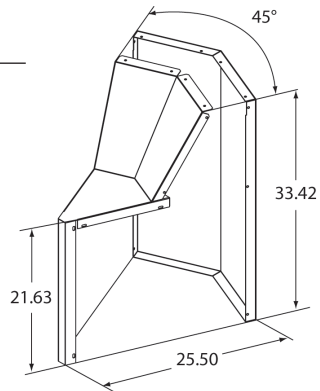
WK-30-10-R



45° Wedge

**Part Number**

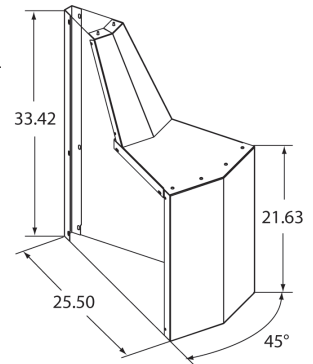
WK-45-10



45° Reverse Wedge

**Part Number**

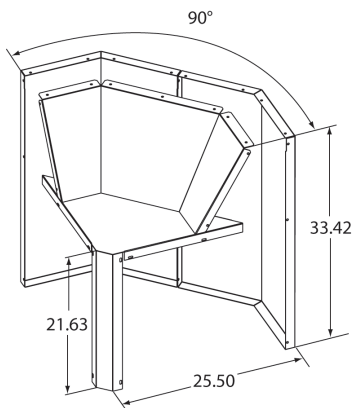
WK-45-10-R



90° Wedge

**Part Number**

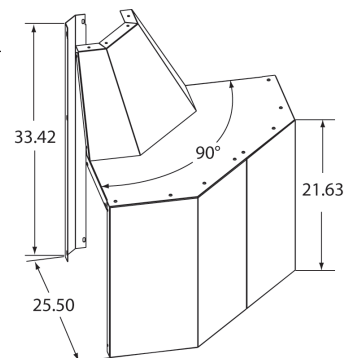
WK-90-10



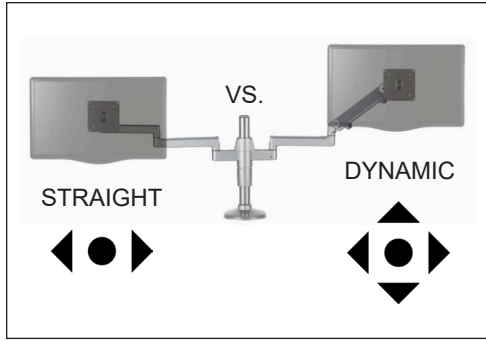
90° Reverse Wedge

**Part Number**

WK-90-10-R



# Straight Link Style Articulating Arms

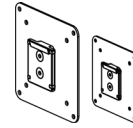


## Straight Link Style Articulating Monitor Arms

Straight link style arms allow the user to adjust the monitor left or right. At the end of each arm is a ball joint, allowing the tilt of the monitor to be adjusted as well. The monitor arms are free of harmful Red List chemicals and include a built-in indicator allowing the installer to counterbalance the monitor weight without a monitor. Each arm can support one monitor up to 15 lbs.

## VESA Mounting Plates

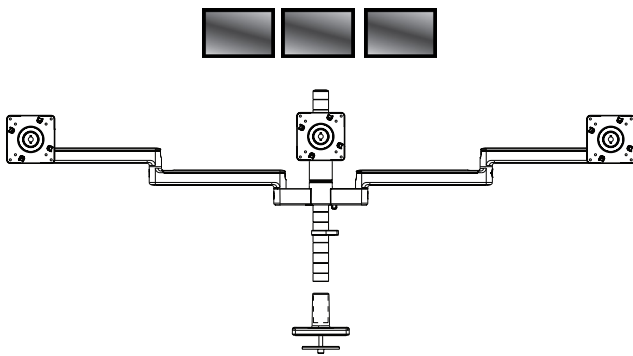
Every arm comes with two VESA mounting plates sized 100mm and 75mm. These will accommodate most monitors.



## Horizontal Set-Ups for use on the Top Cap

Choose from set-ups with one, two, or three monitors aligned horizontally. These set-ups require two part numbers to be ordered; an arm configuration and a base. Each arm configuration comes with an 18" tall pole that fits in the grommet style base. The base requires a grommet hole to be drilled in the top cap in order to properly mount to the console. Mounting hardware is included.

3 Monitor Set-Up

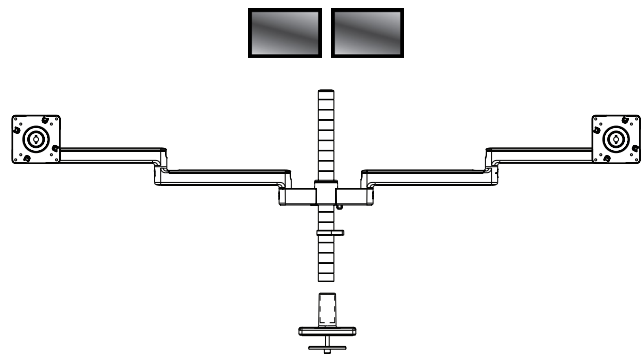


**Arm Part Number**      **Base Part Number**

HS-P3-S12S12-N-S12S12

HS-B-G

2 Monitor Set-Up

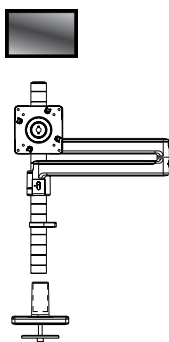


**Arm Part Number**      **Base Part Number**

HS-P2H-S12S12

HS-B-G

1 Monitor Set-Up



**Arm Part Number**      **Base Part Number**

HS-P1-S12S12

HS-B-G

1 Monitor Set-Up



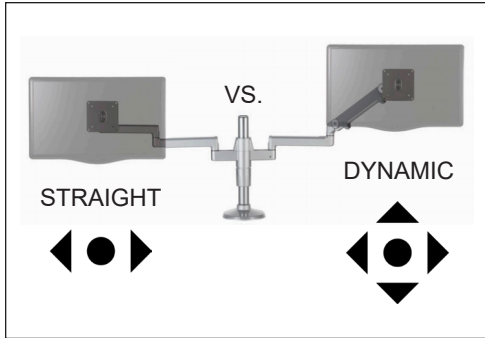
**Arm Part Number**      **Base Part Number**

HS-P1-N

HS-B-G

**Note:** This set-up utilizes a ball joint, no arm, allowing only the tilt of the monitor to be adjusted.

# Straight Link Style Articulating Arms

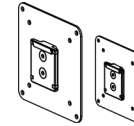


## Straight Link Style Articulating Monitor Arms

Straight link style arms allow the user to adjust the monitor left or right. At the end of each arm is a ball joint, allowing the tilt of the monitor to be adjusted as well. The monitor arms are free of harmful Red List chemicals and include a built-in indicator allowing the installer to counterbalance the monitor weight without a monitor. Each arm can support one monitor up to 15 lbs.

## VESA Mounting Plates

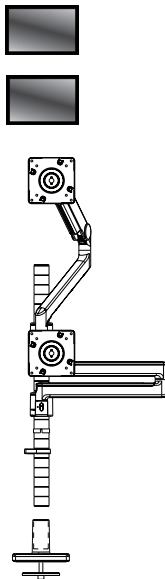
Every arm comes with two VESA mounting plates sized 100mm and 75mm. These will accommodate most monitors.



## Vertical Set-Ups for use on the Top Cap

Choose from set-ups with two or four monitors aligned vertically. These set-ups require two part numbers to be ordered; an arm configuration and a base. Each arm configuration comes with a 24" tall pole that fits in the grommet style base. The base requires a grommet hole to be drilled in the top cap in order to properly mount to the console. Mounting hardware is included.

2 Monitor Set-Up



### Arm Part Number

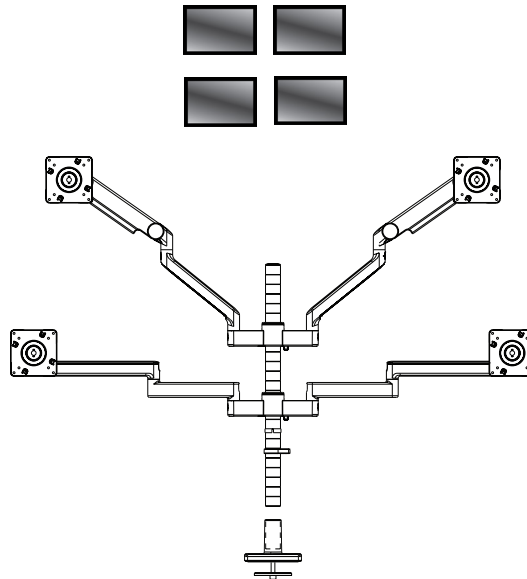
HS-P2V-S12S12-AD

### Base Part Number

HS-B-G

**Note:** Depending on the layout of the console, this set-up may require additional mounting hardware.

4 Monitor Set-Up



### Arm Part Number

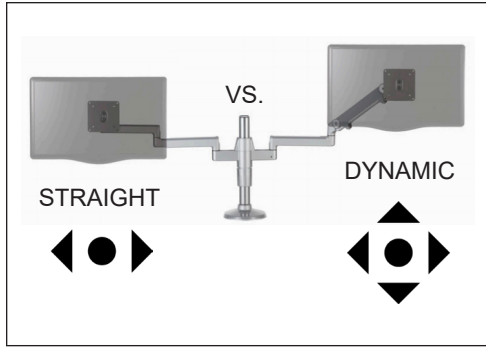
HS-P4-S12S12-AD

### Base Part Number

HS-B-G

**Note:** Depending on the layout of the console, this set-up may require additional mounting hardware.

# Dynamic Link Style Articulating Arms

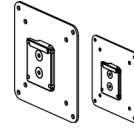


## Dynamic Link Style Articulating Monitor Arms

Dynamic link style arms allow for both horizontal and vertical monitor adjustment via the use of extension spring technology located on the second link of the arm. At the end of each arm is a ball joint, allowing the tilt of the monitor to be adjusted as well. The monitor arms are free of harmful Red List chemicals and include a built-in indicator allowing the installer to counterbalance the monitor weight without a monitor. Each arm can support one monitor up to 15 lbs.

## VESA Mounting Plates

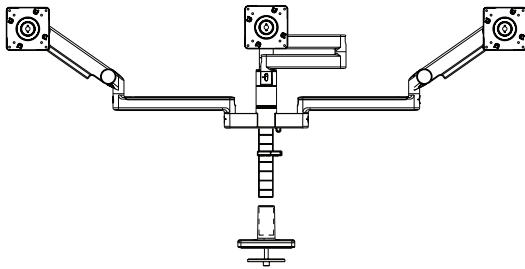
Every arm comes with two VESA mounting plates sized 100mm and 75mm. These will accommodate most monitors.



## Horizontal Set-Ups for use on the Top Cap

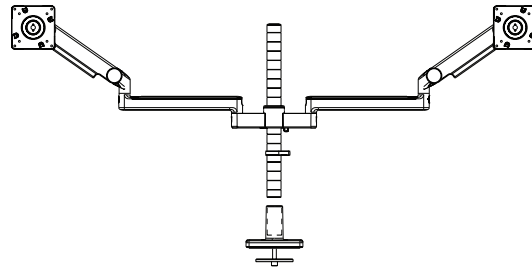
Choose from set-ups with one, two, or three monitors aligned horizontally. These set-ups require two part numbers to be ordered; an arm configuration and a base. Each arm configuration comes with an 18" tall pole that fits in the grommet style base. The base requires a grommet hole to be drilled in the top cap in order to properly mount to the console. Mounting hardware is included.

3 Monitor Set-Up



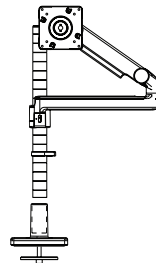
Arm Part Number	Base Part Number
HS-P3-S12D-S8S8-S12D	HS-B-G

2 Monitor Set-Up



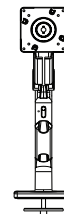
Arm Part Number	Base Part Number
HS-P2H-S12D	HS-B-G

1 Monitor Set-Up



Arm Part Number	Base Part Number
HS-P1-S12D	HS-B-G

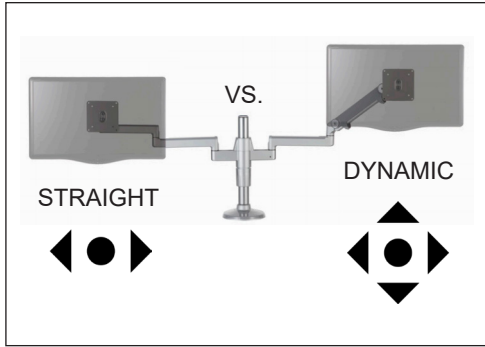
1 Monitor Set-Up HEAVY DUTY



Part Number	Base Part Number
HS-G1-AD-M8	-

**Note:** This set-up includes the base. It can support one monitor weighing up to 25 lbs.

# Dynamic Link Style Articulating Arms

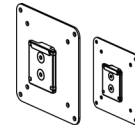


## Dynamic Link Style Articulating Monitor Arms

Dynamic link style arms allow for both horizontal and vertical monitor adjustment via the use of extension spring technology located on the second link of the arm. At the end of each arm is a ball joint, allowing the tilt of the monitor to be adjusted as well. The monitor arms are free of harmful Red List chemicals and include a built-in indicator allowing the installer to counterbalance the monitor weight without a monitor. Each arm can support one monitor up to 15 lbs.

## VESA Mounting Plates

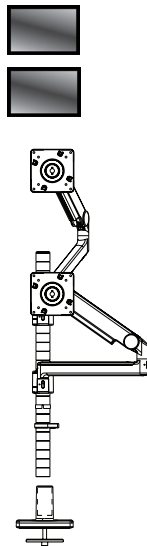
Every arm comes with two VESA mounting plates sized 100mm and 75mm. These will accommodate most monitors.



## Vertical Set-Ups for use on the Top Cap

Choose from set-ups with two or four monitors aligned vertically. These set-ups require two part numbers to be ordered; an arm configuration and a base. Each arm configuration comes with a 24" tall pole that fits in the grommet style base. The base requires a grommet hole to be drilled in the top cap in order to properly mount to the console. Mounting hardware is included.

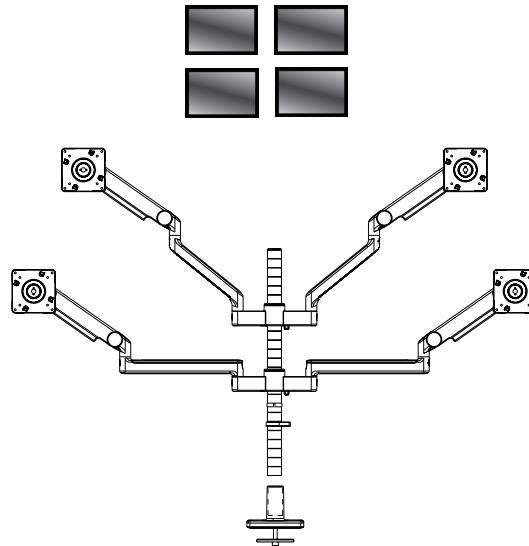
2 Monitor Set-Up



Arm Part Number	Base Part Number
HS-P2V-S12D-AD	HS-B-G

**Note:** Depending on the layout of the console, this set-up may require additional mounting hardware.

4 Monitor Set-Up



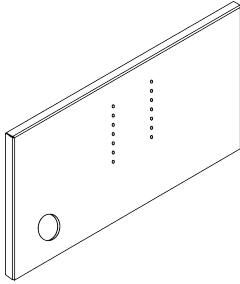
Arm Part Number	Base Part Number
HS-P4-S12D-AD	HS-B-G

**Note:** Depending on the layout of the console, this set-up may require additional mounting hardware.

# Monitor Support Panels for Turret Frames

## Monitor Support Panels for Turret Frames

These panels provide allow articulating arms to be mounted in the turret area of FP1 consoles. These panels feature a 2.00" diameter cable access hole with grommet cap to aid in cable management. Select from one of two articulating monitor arms to mount to the panel.



### Part Numbers

19" EIA Width
<b>XPN-1019-MSP</b>
24" EIA Width
<b>XPN-1024-MSP</b>

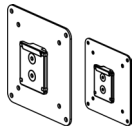
Monitor Support Panel

## Monitor Arm Options for use with a Monitor Support Panel

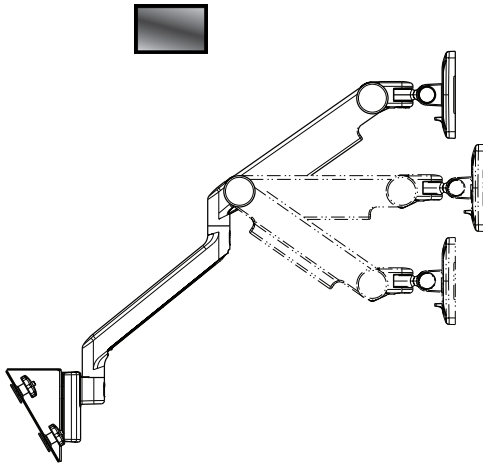
Select from one of two articulating monitor arms to mount to the Monitor Support Panel. Each arm comes with mounting hardware and can support one monitor weighing up to 15 lbs.

### VESA Mounting Plates

Every arm comes with two VESA mounting plates sized 100mm and 75mm. These will accommodate most monitors.



1 Monitor Set-Up



### Arm Part Number

**HS-T1-AD**

This set-up utilizes a dynamic link style arm allowing for both horizontal and vertical monitor adjustment via the use of extension spring technology located on the second link of the arm. At the end of the arm is a ball joint, allowing the tilt of the monitor to be adjusted as well.

1 Monitor Set-Up



### Arm Part Number

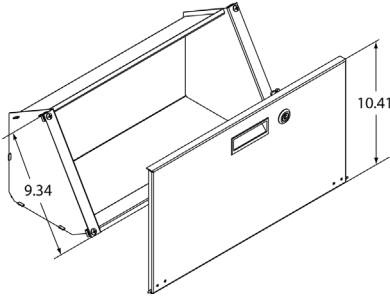
**HS-T1-N**

This set-up utilizes a ball joint, no arm, allowing only the tilt of the monitor to be adjusted.



## Turret Storage Compartment with Access Panel

The turret area of FP1 consoles provides a variety of practical accessory options. This compartment mounts within the turret cavity to provide for a fully enclosed storage area. Included is a lockable-hinged panel.



Turret Storage Compartment

### Part Numbers

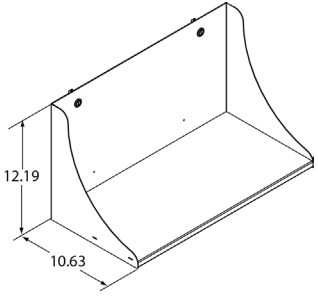
19" EIA Width
Solid
<b>TSC-1019</b>
24" EIA Width
Solid
<b>TSC-1024</b>

# Turret Book Shelf

---

## Turret Book Shelf

The turret area of FP1 consoles provides a variety of practical accessory options. The book shelf mounts within the turret cavity to provide an organized method of storing manuals and other types of commonly used reference material.



Book Shelf

### Part Numbers

19" EIA Width
Solid
<b>TBS-1019</b>

24" EIA Width
Solid
<b>TBS-1024</b>

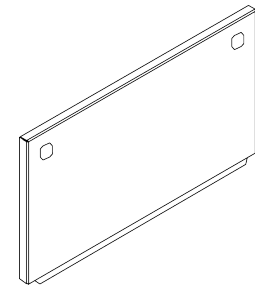
## Rear Turret Access Panels

The panels are designed to close off the rear opening of the turret frame. The panels come in solid or vented styles and feature two quarter turn fasteners for easy access.

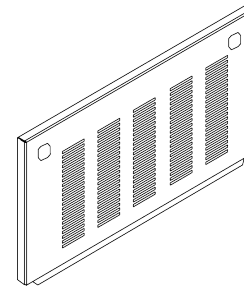
### Part Numbers

19" EIA Width		"C" Overall Width	"B1" # of Rack Units Used	
Solid	Vented		8.750	5U
<b>RTP-0819-S</b>	<b>RTP-0819-V</b>	19.000	8.750	5U

24" EIA Width		"C" Overall Width	"B1" # of Rack Units Used	
Solid	Vented		8.750	5U
<b>RTP-0824-S</b>	<b>RTP-0824-V</b>	24.000	8.750	5U



Solid



Vented



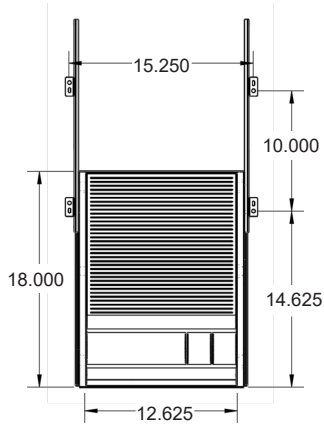
Fastener Detail

# Pencil Tray

---

## Pencil Tray

Pencil trays provide a convenient and efficient method for under the desktop storage of pen, pencils, paper clips, note pads and more. All pencil trays are available in black and include the mounting hardware and ball bearing slides.



---

Small Pencil Tray  
Hangs 2.375" below work surface.

### Part Number

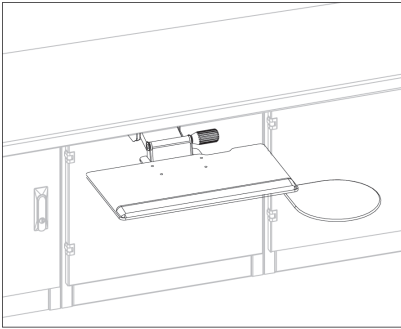
PENCIL TRAY SM

## Retractable Keyboard

This ergonomic keyboard mounts to the under side of the work surface, ensuring that users type and mouse within their neutral reach zone.

### Part Number

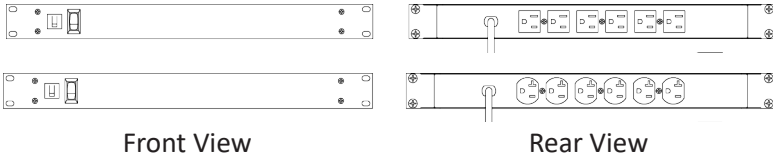
E-SM16







# Power

## Power





Available in a range of power capacities and configurations, basic PDUs provide reliable power distribution. They are the best value for simple power distribution in work stations or consoles.



Part Numbers	Receptacles Type / QTY	Breaker Amperage / QTY	Plug / Inlet Type	Monitoring	Dimensions W x H x D (")
<b>PDU-615R-PC</b> Amps: 15 (Single Phase) Volts: 120 kW: 1.4		15 / 1		N/A	1U 19" Horizontal 19.00 x 1.75 x 2.57
		<b>On-Off Switch</b>			
		Yes			
<b>PDU-620R-PC</b> Amps: 20 (Single Phase) Volts: 120 kW: 1.4		20 / 1		N/A	1U 19" Horizontal 19.00 x 1.75 x 2.57
		<b>On-Off Switch</b>			
		Yes			


Includes mounting hardware.



Part Numbers	Receptacles Type / QTY	Breaker Amperage / QTY	Plug / Inlet Type	Monitoring	Dimensions W x H x D (")
<b>WM-180615-PC</b> Amps: 15 (Single Phase) Volts: 120 kW: 1.4		15 / 1		N/A	0U 18" Vertical 1.62 x 18.00 x 1.21
		<b>On-Off Switch</b>			
		No			
<b>WM-180620-PC</b> Amps: 20 (Single Phase) Volts: 120 kW: 1.4		20 / 1		N/A	0U 18" Vertical 1.62 x 18.00 x 1.21
		<b>On-Off Switch</b>			
		No			

Includes Spring Clips and mounting hardware.



Part Numbers	Receptacles Type / QTY	Breaker Amperage / QTY	Plug / Inlet Type	Monitoring	Dimensions W x H x D (")
<b>WM-180615-DW</b> Amps: 15 (Single Phase) Volts: 120 kW: 1.4		N/A	6" Direct Wire Leads	N/A	0U 18" Vertical 1.43 x 18.00 x 1.13
		<b>On-Off Switch</b>	Threaded for 3/4" conduit fitting.		
		No			

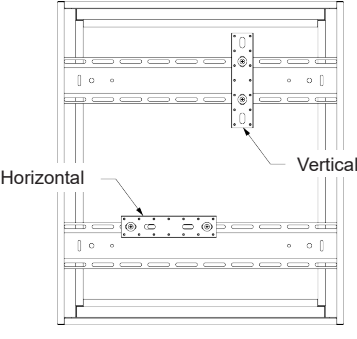
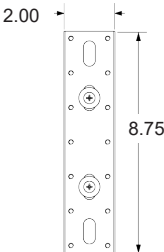
Includes Spring Clips and mounting hardware.

**Ground Bus Plate**

Ground bus plates provide equipment grounding capabilities that are unique when compared to the full length bus bars. The copper ground bus plate provides fourteen (14) #10-32 tapped grounding points and mounts directly to the frame strut in a vertical or horizontal position. The designed-in mounting flexibility allows for attachment of the ground bus plate in locations that are much less likely to interfere with full depth internal frame equipment and accessories such as mounting brackets, equipment shelves, chassis guides and others.

**Part Number**

**GBP-0208**



Mounting Detail

# Lighting

## Racklights

Racklights provide illumination for an entire rack of electronic equipment and enable the user to adjust illumination for patching or general rack service. Available in both 5-Watt halogen or low intensity LED, the racklights only occupy 1U of rack space. All racklights include 12-Volt power supply and mounting hardware.



### Part Number

**ELIGHT RL-10-S**

1U rack mount panel with one 12" high intensity (5-Watt halogen) gooseneck permanently attached. The gooseneck is recessed into the panel for transport and is controlled by a dimmer switch. Includes 12-Volt power supply with 6ft. cord and 5-Watt halogen bulb.



### Part Number

**ELIGHT RL-10-D**

1U rack mount panel with two 12" high intensity (5-Watt halogen) gooseneck permanently attached. The goosenecks are recessed into the panel for transport and are controlled by dimmer switches. Includes 12-Volt power supply with 6ft. cord and 5-Watt halogen bulb.

### Part Number

**ELIGHT RL-10-S-LED**

1U rack mount panel with one 12" low intensity LED gooseneck permanently attached. The gooseneck is recessed into the panel for transport. A three-way rotary switch enables the user to toggle between white light and red light output. Includes 12-Volt power supply with 6ft. cord.

### Part Number

**ELIGHT RL-10-D-LED**

1U rack mount panel with two 12" low intensity LED gooseneck permanently attached. The goosenecks are recessed into the panel for transport. A three-way rotary switch enables the user to toggle between white light and red light output. Includes 12-Volt power supply with 6ft. cord.

## Product Selector

	Part #	Bulb Type	Bulb Life / *MTBF	Gooseneck
Lampset	ELIGHT L-3/12	Dimmable 5-Watt Halogen	2,000 Hours	12" Permanent
	ELIGHT L-3/18	Dimmable 5-Watt Halogen	2,000 Hours	18" Permanent
	ELIGHT L-12-LED	Switchable Red/White LED	10,000 Hours	12" Permanent
	ELIGHT L-18-LED	Switchable Red/White LED	10,000 Hours	18" Permanent
Racklight	ELIGHT RL-10-S	Dimmable 5-Watt Halogen	2,000 Hours	12" Permanent
	ELIGHT RL-10-D	Dimmable 5-Watt Halogen	2,000 Hours	12" Permanent
	ELIGHT RL-10-S-LED	Switchable Red/White LED	10,000 Hours	12" Permanent
	ELIGHT RL-10-D-LED	Switchable Red/White LED	10,000 Hours	12" Permanent
	ELIGHT 12X-HI	Dimmable 5-Watt Halogen	2,000 Hours	12" Removable
	ELIGHT 18X-HI	Dimmable 5-Watt Halogen	2,000 Hours	18" Removable
	ELIGHT 12X-LED	Switchable Red/White LED	10,000 Hours	12" Removable
	ELIGHT 18X-LED	Switchable Red/White LED	10,000 Hours	18" Removable

\*Mean Time Before Failure

## Build Your Own Racklight



### Part Number

**ELIGHT RLX**

1U rack mount panel with two 3-pin XLR connectors for use with 3-pin goosenecks. Includes 12-Volt power supply with 6ft. cord. Gooseneck(s) sold separately.



### Part Number

**ELIGHT 12X-HI**

12" high intensity (5-Watt halogen) gooseneck for use with any standard 3-pin XLR connector.

### Part Number

**ELIGHT 18X-HI**

18" high intensity (5-Watt halogen) gooseneck for use with any standard 3-pin XLR connector.

### Part Number

**ELIGHT 12X-LED**

12" low intensity LED gooseneck with 3-pin XLR connector. Light output is white.

### Part Number

**ELIGHT 18X-LED**

18" low intensity LED gooseneck with 3-pin XLR connector. Light output is white.



**Lampsets**

Lampsets shed light exactly where you need it. Lampsets are available with 12" or 18" gooseneck lengths and include bulb, chassis and fully adjustable dimmer. Each lampset includes a 12-Volt power supply, a snap mount set<sup>(SM)</sup> for easy removable mounting and screws for permanent mounting.



**Part Number**

ELIGHT L-3/12

High intensity (5-Watt halogen) lampset with a 12" gooseneck permanently attached. The gooseneck is controlled by a dimmer switch. Includes 12-Volt power supply with 6ft. cord and 5-Watt halogen bulb.

**Part Number**

ELIGHT L-3/18

High intensity (5-Watt halogen) lampset with an 18" gooseneck permanently attached. The gooseneck is controlled by a dimmer switch. Includes 12-Volt power supply with 6ft. cord and 5-Watt halogen bulb.

**Part Number**

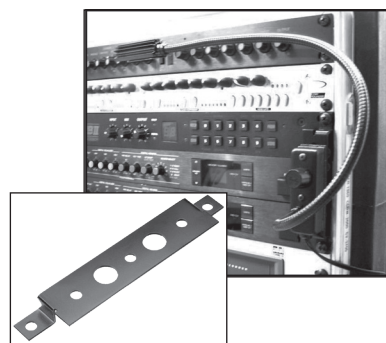
ELIGHT L-12-LED

Low intensity LED lampset with a 12" gooseneck permanently attached. A three-way rotary switch enables user to toggle between white light and red light output. Includes 12-Volt power supply with 6ft. cord.

**Part Number**

ELIGHT L-18-LED

Low-intensity LED lampset with an 18" gooseneck permanently attached. A three-way rotary switch enables the user to toggle between white light and red light output. Includes 12-Volt power supply with 6ft. cord.



**Part Number**

ELIGHT RAKIT

This bracket allows you to mount a lampset to your rack without using any rack space. The bracket spans a 3U rack space and will not interfere with rack mounted equipment controls.



**Part Number**

ELIGHT CWB

Turn your lampset into a desk light with a Cast Weighted Base. This design features four rubber feet for maximum stability.

**General Accessories**

Use these accessories with either Racklights or Lampsets



**Part Number**

ELIGHT WYE

This splitter cable connects multiple goosenecks to a single power supply.

Use WYE with halogen lights.



**Part Number**

ELIGHT PYE

This splitter cable connects multiple goosenecks to a single power supply.

Use PYE with LED lights.



**Part Number**

ELIGHT Q5

5-Watt halogen replacement bulb.

# Horizontal Cable Managers

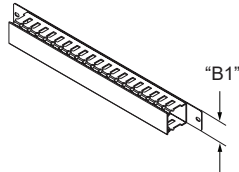
## Cable Organizer with Finger Duct

A simple and convenient method of organizing and routing cabling. Includes hinged cover panel. Accepts accessory style C.

### Part Numbers

19" EIA Width	"B1" # of Rack Units Used	
<b>CMH-1U-19-FD1</b>	1.750	1U
<b>CMH-2U-19-FD1</b>	3.500	2U

24" EIA Width	"B" # of Rack Units Used	
<b>CMH-1U-24-FD1</b>	1.750	1U
<b>CMH-2U-24-FD1</b>	3.500	2U

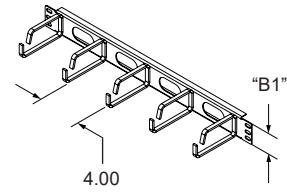


## Cable Organizer with 5 D Rings

A simple and convenient method of organizing cabling. Accepts accessory style C.

### Part Number

19" EIA Width	"B1" # of Rack Units Used	
<b>CMH-1U-19</b>	1.750	1U



## Lacing Bar

Support cables as they exit the back of equipment preventing stress to expensive ports. Accepts accessory style C.

### Part Number

19" EIA Width	"B" # of Rack Units Used	
<b>CMH-1U-19-LB1</b>	1.750	1U



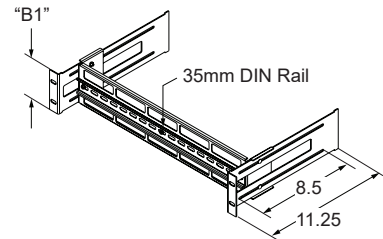
## DIN Rail

Rail is 35mm DIN type 3. 8.5" of front-to-rear adjustment. Accepts accessory style C.

### Part Numbers

19" EIA Width	"B1" # of Rack Units Used	
<b>CMH-2U-19-DIN</b>	3.500	2U

24" EIA Width	"B1" # of Rack Units Used	
<b>CMH-2U-24-DIN</b>	3.500	2U



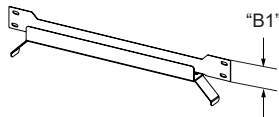
## Cable Trough

A simple and convenient method of routing cabling. Accepts accessory style C.

### Part Numbers

19" EIA Width	"B1" # of Rack Units Used	
<b>CMH-1U-19-T</b>	1.750	1U

24" EIA Width	"B1" # of Rack Units Used	
<b>CMH-1U-24-T</b>	1.750	1U

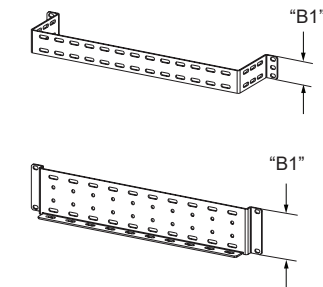


## Lacing Panels

A simple and convenient method of organizing cabling. Accepts accessory style C.

### Part Numbers

19" EIA Width	"B1" # of Rack Units Used	
<b>CMH-1U-19-LP1</b>	1.750	1U
<b>CMH-2U-19-LP2</b>	3.500	2U

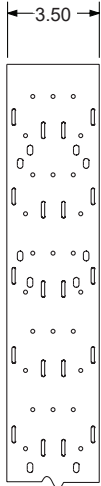


## 3.5" Wide Vertical Lacing Panel

Material: Aluminum

Accepts accessory style B or C.

Slots allow Velcro or other cable straps to neatly organize cable bundles.



### Part Numbers

	Use in frames with this usable height	
<b>WMP-15</b>	15.750	9U

## Cable Management Accessories

The following accessories are for use in conjunction with the overhead, vertical and horizontal cable management products.

### Style B: Screws in with self tapping screws

Cable Ring

#### Part Number

**DCR-2375**

QTY: 1

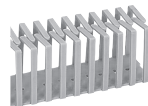


Finger Duct

#### Part Number

**DFD-22**

QTY: 1



Velcro Cable Ties w/ Bracket

#### Part Number

**DVS-11**

QTY: 10



### Style C: Universal

Velcro Cable Ties

#### Part Number

**CMA-001-C**

QTY: 20



# Light Duty Shelf

## Light Duty Shelf

Light Duty shelves provide an easy method of storing non-rack mount style equipment in a frame. The shelf attaches to the front flange of the mounting rails and require no rear attachment point. An adjustable backstop is provided for alignment.

- Load capacity: 50-lbs. evenly distributed.

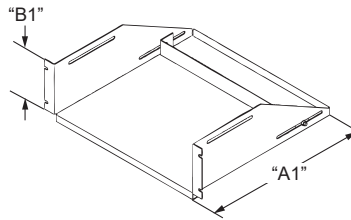
### Note

The bottom flange of this shelf intrudes .750" on the rack space below. Items that take up internal space cannot be mounted directly below this shelf.

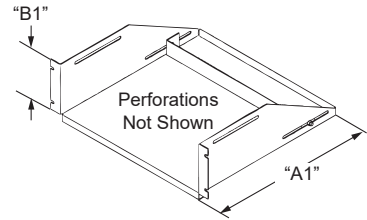
### Part Numbers

19" EIA Width		"A1" Shelf Depth	"B1" # of Rack Units Used	
Solid	Perforated			
<b>SH-1619</b>	<b>SH-1619-PA</b>	16.500	5.250	3U

24" EIA Width		"A1" Shelf Depth	"B1" # of Rack Units Used	
Solid	Perforated			
<b>SH-1624</b>	<b>SH-1624-PA</b>	16.500	5.250	3U



**Solid**  
[14-gauge steel]



**Perforated**  
[14-gauge steel]

**Enclosed Shelf**

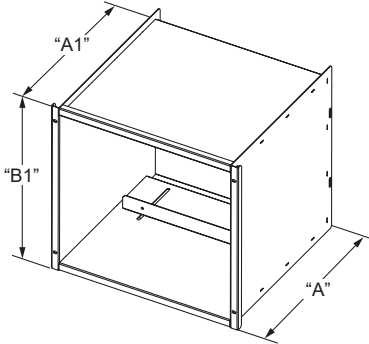
Using this sturdy enclosed shelf, non-rack mounted equipment can be safely positioned within the enclosure. The shelf attaches to the front flange of the mounting rails and require no rear attachment point. An adjustable backstop is provided for alignment.

- Load capacity: 50-lbs. evenly distributed.

**Part Numbers**

19" EIA Width			
Solid	"A1" Shelf Depth	"B1" # of Rack Units Used	
<b>ME-1719</b>	17.750	17.500	10U
<b>ME-2419</b>	17.750	24.500	14U

24" EIA Width			
Solid	"A1" Shelf Depth	"B1" # of Rack Units Used	
<b>ME-1724</b>	17.750	17.500	10U
<b>ME-2424</b>	17.750	24.500	14U



Enclosed Shelf  
[16-gauge steel]

# Book Shelf

## Book Shelf

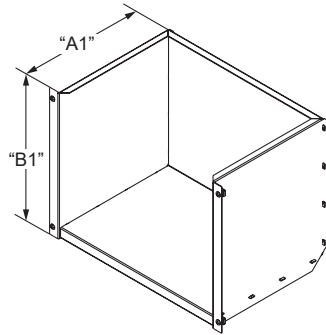
Available in two heights, book shelves are perfect for storing binders, service manuals, and other non-rack mount items. The shelf attaches to the front flange of the mounting rails and requires no rear attachment point.

Load capacity: 50-lbs. evenly distributed.

### Part Numbers

19" EIA Width			
Solid	"A1" Shelf Depth	"B1" # of Rack Units Used	
<b>FP2-BS 1019</b>	12.700	10.500	6U
<b>FP2-BS 1419</b>	12.700	14.000	8U

24" EIA Width			
Solid	"A1" Shelf Depth	"B1" # of Rack Units Used	
<b>FP2-BS 1024</b>	12.700	10.500	6U
<b>FP2-BS 1424</b>	12.700	14.500	8U



**Book Shelf**  
[16-gauge steel]

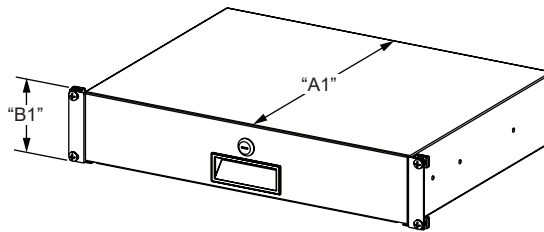
## Light Duty Locking Drawer

The light duty locking drawer is perfect for applications where securely storing small items is required. The drawer attaches to the front flange of the mounting rails and require no rear attachment point. It is finished in a black powder coat paint. This drawer is keyed differently than doors/side panels.

- Load capacity: 20-lbs. evenly distributed.
- Drawer extension: 11.77" from front of the enclosure.

### Part Numbers

19" EIA Width	"A1" Drawer Depth	"B1" # of Rack Units Used	
LKD-0319	13.320	3.500	2U



Light Duty Locking Drawer  
[16-gauge steel]

# Heavy Duty Shelves

## Heavy Duty Shelves

Heavy duty shelves are designed to fit anywhere within the usable rack space of an enclosure to house non-rack mounted equipment.

- Solid style load capacity: 350-lbs. evenly distributed.
- Perforated style load capacity: 200-lbs. evenly distributed.

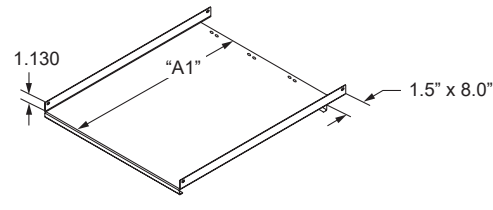
### Note

The bottom flange of this shelf intrudes .613" on the rack space below. Items that take up internal space cannot be mounted directly below this shelf.

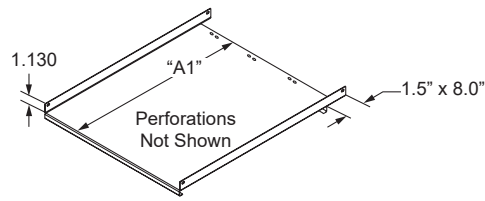
### Part Numbers

19" EIA Width		"A1" Shelf Depth	# of Rack Units Used	Fits w/ this Rail to Rail Setting
Solid	Perforated			
<b>SES-1819</b>	<b>SES-1819-PA</b>	14.875	1.750	1U A 17.250"
<b>SES-2219</b>	<b>SES-2219-PA</b>	18.375	1.750	1U B 20.750"
<b>SES-2519</b>	<b>SES-2519-PA</b>	21.875	1.750	1U C 24.250"

24" EIA Width		"A1" Shelf Depth	# of Rack Units Used	Fits w/ this Rail to Rail Setting
Solid	Perforated			
<b>SES-1824</b>	<b>SES-1824-PA</b>	14.875	1.750	1U A 17.250"
<b>SES-2224</b>	<b>SES-2224-PA</b>	18.375	1.750	1U B 20.750"
<b>SES-2524</b>	<b>SES-2524-PA</b>	21.875	1.750	1U C 24.250"



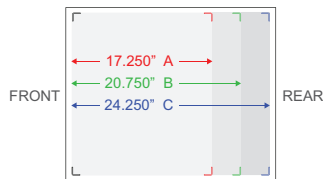
**Solid**  
[14-gauge steel]



**Perforated**  
[14-gauge steel]

### Rail to Rail Settings (mounts to rails or straps - not square hole rails)

This item requires both a front and rear attach point. Since the rear rails inside of a frame can be positioned in multiple locations, or multiple sets of rails may be used, be sure to select the proper part number based on the rail settings. The following image indicates standard rail locations that will allow this item to be properly positioned.





## Heavy Duty Chassis Guides

Heavy duty chassis guides (sold as pairs) are used to support heavy equipment by means of angular steel support members, leaving the bottom of the mounted equipment exposed for cooling or servicing. Chassis guides are mounted flange side down, unless otherwise specified.

- Load capacity: 200-lbs. evenly distributed.

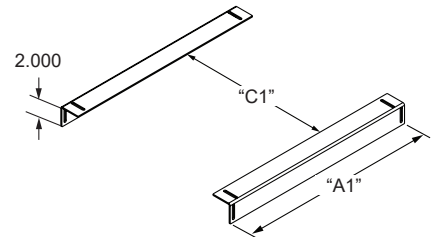
### Note

Due to the thickness of the material, chassis guides interfere .125" on both the rack space above and below where this item is mounted. Items that take up internal space cannot be mounted directly above or below chassis guides.

### Part Numbers

	"A1" Chassis Guide Depth	# of Rack Units Used		Fits w/ this Rail to Rail Setting	"C1"	"C1"
					19" EIA Width	24" EIA Width
<b>CG-18</b>	16.562	1.750	1U	A 17.250"	15.406	20.406
<b>CG-22</b>	20.062	1.750	1U	B 20.750"	15.406	20.406
<b>CG-25</b>	23.562	1.750	1U	C 24.250"	15.406	20.406

"C1" Distance Between Chassis Guides



Chassis Guide  
[11-gauge steel]

## Light Duty Chassis Guides

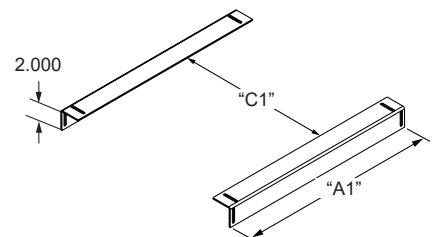
Light duty chassis guides (sold as pairs) are used to support heavy equipment by means of angular steel support members, leaving the bottom of the mounted equipment exposed for cooling or servicing. Chassis guides are mounted flange side down, unless otherwise specified.

- Load capacity: 75-lbs. evenly distributed.

### Part Numbers

	"A1" Chassis Guide Depth	# of Rack Units Used		Fits w/ this Rail to Rail Setting	"C1"	"C1"
					19" EIA Width	24" EIA Width
<b>CG-18-LD</b>	16.562	1.750	1U	A 17.250"	15.406	20.406
<b>CG-22-LD</b>	20.062	1.750	1U	B 20.750"	15.406	20.406
<b>CG-25-LD</b>	23.562	1.750	1U	C 24.250"	15.406	20.406

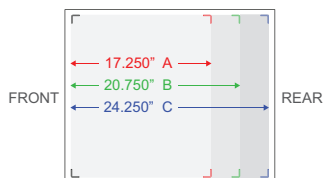
"C1" Distance Between Chassis Guides



Chassis Guide  
[16-gauge steel]

## Rail to Rail Settings (mounts to rails or straps - not square hole rails)

This item requires both a front and rear attach point. Since the rear rails inside of a frame can be positioned in multiple locations, or multiple sets of rails may be used, be sure to select the proper part number based on the rail settings. The following image indicates standard rail locations that will allow this item to be properly positioned.



# 2U Sliding Shelves

## 2U Sliding Shelves

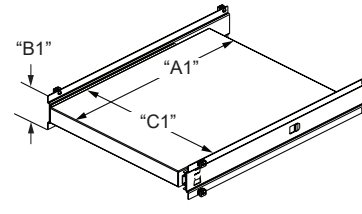
Sliding, or Pull-out shelves make it possible to slide equipment in and out of the enclosure for fast, easy accessibility. Heavy-duty ball bearing slides allow for ease of movement and have a quick disconnect feature. Upon request, the shelf can be flipped over and used as a tray if desired (1.625" thick)

- Load capacity: 90-lbs. evenly distributed.
- Shelf extension: 17" from front of the enclosure.

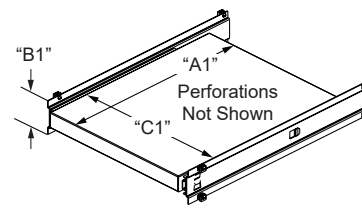
### Part Numbers

19" EIA Width		"A1" Shelf Depth	"C1" Shelf Width	"B1" # of Rack Units Used		Fits w/ this Rail to Rail Setting
Solid	Perforated					
<b>SCSQ-1819</b>	contact factory	16.750	16.320	3.500	2U	A 17.250"
<b>SCSQ-2219</b>	<b>SCSQ-2219-PA</b>	20.250	16.320	3.500	2U	B 20.750"
<b>SCSQ-2519</b>	<b>SCSQ-2519-PA</b>	20.250	16.320	3.500	2U	C 24.250"

24" EIA Width		"A1" Shelf Depth	"C1" Shelf Width	"B1" # of Rack Units Used		Fits w/ this Rail to Rail Setting
Solid	Perforated					
<b>SCSQ-1824</b>	contact factory	16.750	21.320	3.500	2U	A 17.250"
<b>SCSQ-2224</b>	<b>SCSQ-2224-PA</b>	20.250	21.320	3.500	2U	B 20.750"
<b>SCSQ-2524</b>	<b>SCSQ-2524-PA</b>	20.250	21.320	3.500	2U	C 24.250"



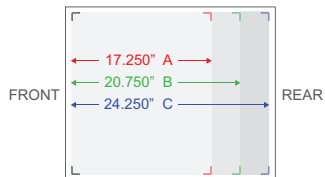
**Solid**  
[18-gauge steel]



**Perforated**  
[16-gauge steel]

### Rail to Rail Settings (mounts to rails or straps - not square hole rails)

This item requires both a front and rear attach point. Since the rear rails inside of a frame can be positioned in multiple locations, or multiple sets of rails may be used, be sure to select the proper part number based on the rail settings. The following image indicates standard rail locations that will allow this item to be properly positioned.



## Drawer with Lid

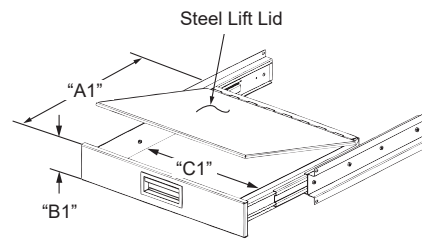
These drawers can be used for storing equipment which requires easy access, or as a pull-out writing shelf. Heavy-duty ball bearing slides allow for ease of movement and have a quick disconnect feature. Both paint and laminate color selection is necessary at time of order placement.

- Load capacity: 90-lbs. evenly distributed.
- Drawer extension: 17" from front of the enclosure.

### Part Numbers

19" EIA Width					
Non-Locking	"A1" Drawer Depth	"C1" Drawer Width	"B1" # of Rack Units Used		Fits w/ this Rail to Rail Setting
<b>SRSQ-1819</b>	16.960	16.224	3.5000	2U	A 17.250"
<b>SRSQ-2219</b>	16.960	16.224	3.5000	2U	B 20.750"
<b>SRSQ-2519</b>	16.960	16.224	3.5000	2U	C 24.250"

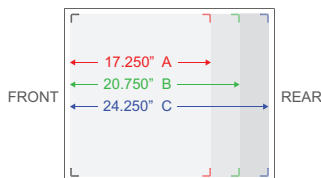
24" EIA Width					
Non-Locking	"A1" Drawer Depth	"C1" Drawer Width	"B1" # of Rack Units Used		Fits w/ this Rail to Rail Setting
<b>SRSQ-1824</b>	16.960	21.224	3.5000	2U	A 17.250"
<b>SRSQ-2224</b>	16.960	21.224	3.5000	2U	B 20.750"
<b>SRSQ-2524</b>	16.960	21.224	3.5000	2U	C 24.250"



Drawer with Lid

### Rail to Rail Settings (mounts to rails or straps - not square hole rails)

This item requires both a front and rear attach point. Since the rear rails inside of a frame can be positioned in multiple locations, or multiple sets of rails may be used, be sure to select the proper part number based on the rail settings. The following image indicates standard rail locations that will allow this item to be properly positioned.

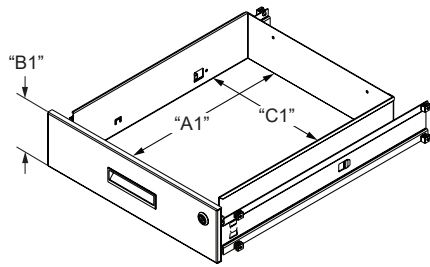


# Drawers

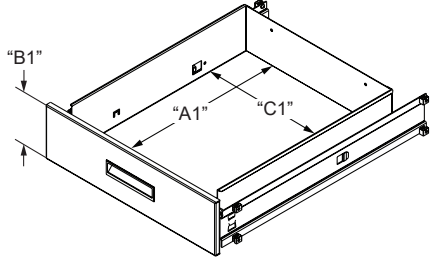
## Drawers

Drawers provide for efficient storage and easy access of system support materials. Heavy-duty ball bearing slides allow for ease of movement.

- Load capacity: 90-lbs. evenly distributed.
- Drawer extension: 17" from front of the enclosure.



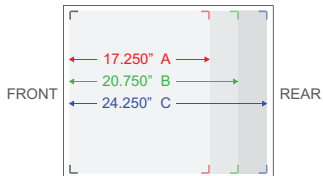
Locking Drawer



Non-Locking Drawer

## Rail to Rail Settings (mounts to rails or straps - not square hole rails)

This item requires both a front and rear attach point. Since the rear rails inside of a frame can be positioned in multiple locations, or multiple sets of rails may be used, be sure to select the proper part number based on the rail settings. The following image indicates standard rail locations that will allow this item to be properly positioned.



## Part Numbers

19" EIA Width		"A1" Drawer Depth	"C1" Drawer Width	"B1" # of Rack Units Used	Fits w/ this Rail to Rail Setting	
Non-Locking	Locking					
SDRQ-180319	SDRQ-180319-LK	16.973	16.224	3.500	2U	A 17.250"
SDRQ-220319	SDRQ-220319-LK	20.473	16.224	3.500	2U	B 20.750"
SDRQ-250319	SDRQ-250319-LK	20.473	16.224	3.500	2U	C 24.250"
SDRQ-180519	SDRQ-180519-LK	16.973	16.224	5.250	3U	A 17.250"
SDRQ-220519	SDRQ-220519-LK	20.473	16.224	5.250	3U	B 20.750"
SDRQ-250519	SDRQ-250519-LK	20.473	16.224	5.250	3U	C 24.250"
SDRQ-180719	SDRQ-180719-LK	16.973	16.224	7.000	4U	A 17.250"
SDRQ-220719	SDRQ-220719-LK	20.473	16.224	7.000	4U	B 20.750"
SDRQ-250719	SDRQ-250719-LK	20.473	16.224	7.000	4U	C 24.250"
SDRQ-180819	SDRQ-180819-LK	16.973	16.224	8.750	5U	A 17.250"
SDRQ-220819	SDRQ-220819-LK	20.473	16.224	8.750	5U	B 20.750"
SDRQ-250819	SDRQ-250819-LK	20.473	16.224	8.750	5U	C 24.250"
SDRQ-181019	SDRQ-181019-LK	16.973	16.224	10.500	6U	A 17.250"
SDRQ-221019	SDRQ-221019-LK	20.473	16.224	10.500	6U	B 20.750"
SDRQ-251019	SDRQ-251019-LK	20.473	16.224	10.500	6U	C 24.250"
SDRQ-181419	SDRQ-181419-LK	16.973	16.224	14.000	8U	A 17.250"
SDRQ-221419	SDRQ-221419-LK	20.473	16.224	14.000	8U	B 20.750"
SDRQ-251419	SDRQ-251419-LK	20.473	16.224	14.000	8U	C 24.250"

24" EIA Width		"A1" Drawer Depth	"C1" Drawer Width	"B1" # of Rack Units Used	Fits w/ this Rail to Rail Setting	
Non-Locking	Locking					
SDRQ-180324	SDRQ-180324-LK	16.973	21.224	3.500	2U	A 17.250"
SDRQ-220324	SDRQ-220324-LK	20.473	21.224	3.500	2U	B 20.750"
SDRQ-250324	SDRQ-250324-LK	20.473	21.224	3.500	2U	C 24.250"
SDRQ-180524	SDRQ-180524-LK	16.973	21.224	5.250	3U	A 17.250"
SDRQ-220524	SDRQ-220524-LK	20.473	21.224	5.250	3U	B 20.750"
SDRQ-250524	SDRQ-250524-LK	20.473	21.224	5.250	3U	C 24.250"
SDRQ-180724	SDRQ-180724-LK	16.973	21.224	7.000	4U	A 17.250"
SDRQ-220724	SDRQ-220724-LK	20.473	21.224	7.000	4U	B 20.750"
SDRQ-250724	SDRQ-250724-LK	20.473	21.224	7.000	4U	C 24.250"
SDRQ-180824	SDRQ-180824-LK	16.973	21.224	8.750	5U	A 17.250"
SDRQ-220824	SDRQ-220824-LK	20.473	21.224	8.750	5U	B 20.750"
SDRQ-250824	SDRQ-250824-LK	20.473	21.224	8.750	5U	C 24.250"
SDRQ-181024	SDRQ-181024-LK	16.973	21.224	10.500	6U	A 17.250"
SDRQ-221024	SDRQ-221024-LK	20.473	21.224	10.500	6U	B 20.750"
SDRQ-251024	SDRQ-251024-LK	20.473	21.224	10.500	6U	C 24.250"
SDRQ-181424	SDRQ-181424-LK	16.973	21.224	14.000	8U	A 17.250"
SDRQ-221424	SDRQ-221424-LK	20.473	21.224	14.000	8U	B 20.750"
SDRQ-251424	SDRQ-251424-LK	20.473	21.224	14.000	8U	C 24.250"

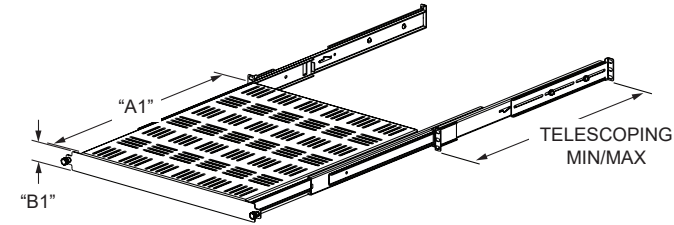
**1U Sliding Shelf**

Sliding shelves make it possible to slide equipment in and out of the enclosure for fast, easy accessibility. Heavy-duty ball bearing slides allow for ease of movement and feature a lock open option. The shelf can be flipped over and used as a tray if desired and comes with captive fasteners to lock the tray in the closed position. The vents aid in air flow management and are sized for #10 hardware. The 1U sliding shelf comes in a black power coat.

- SHS-1U-20 load capacity: 112-lbs. evenly distributed.

**Part Numbers**

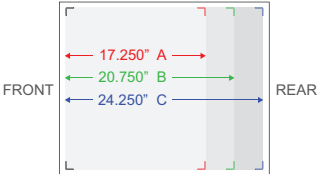
19" EIA Width				
Vented	"A1" Shelf Depth	"B1" # of Rack Units Used		Telescoping Min/Max Depth
<b>SHS-1U-20</b>	20.000	1.750	1U	22.000" - 26.000"



1U Sliding Shelf  
[14-gauge steel]

**Rail to Rail Settings (mounts to rails only)**

This item requires both a front and rear attach point. Since the rear rails inside of a frame can be positioned in multiple locations, or multiple sets of rails may be used, be to double check that the telescoping Max/Min depth is within the constraints of your rail settings.



# 1U Fixed Adjustable Depth Shelf

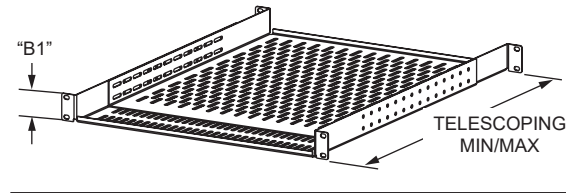
## 1U Fixed Adjustable Depth Shelf

Why lock your rail settings, as determined by the depth of the shelf? This shelf has telescopic rear mount for increased versatility, while providing the stability of 4-point mounting. The side lip prevents item or equipment from sliding off the shelf. Vents aid in airflow management. The shelf comes in black powder coat finish.

- Load capacity: 250-lbs. evenly distributed.

### Part Numbers

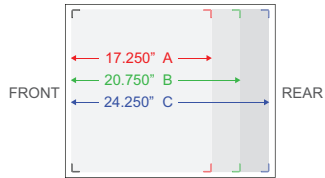
19" EIA Width	"B1"		Telescoping
Vented	# of Rack	Units Used	Min/Max Depth
<b>SHF-1U-22-36</b>	1.750	1U	22.000" - 36.000"



1U Fixed Shelf  
[14-gauge steel]

### Rail to Rail Settings (mounts to rails only)

This item requires both a front and rear attach point. Since the rear rails inside of a frame can be positioned in multiple locations, or multiple sets of rails may be used, be to double check that the telescoping Max/Min depth is within the constraints of your rail settings.



## Dual Fan Panel

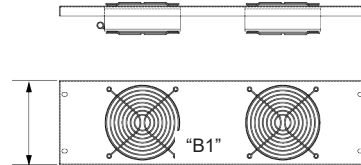
Dual fan panels are designed to mount in the front, rear, and top panel openings and are primarily used to help protect rack-mount equipment from overheating, performance issues, and shortened lifespan.

- 115 Volt AC power or 230 Volt AC Power.
- Fan Motors are UL component recognized; CSA certified.
- Fan size: 4.625" square x 1.5" deep.
- Operating temperature range: -4°F to +158°F.

## Part Numbers

19" EIA Width									
	Airflow	# of Fans	CFM	Watts	Volts	dBA	"B1" # of Rack Units Used		Plug
<b>XPN-0519-FP-2I</b>	Intake	2	204	40	115	43	5.250	3U	yes
<b>XPN-0519-FP-2E</b>	Exhaust	2	204	40	115	43	5.250	3U	yes
<b>XPN-0519-FP-2I-220</b>	Intake	2	204	40	230	43	5.250	3U	no
<b>XPN-0519-FP-2E-220</b>	Exhaust	2	204	40	230	43	5.250	3U	no

Air delivery based on operating at 60 HZ, single phase power.



24" EIA Width									
	Airflow	# of Fans	CFM	Watts	Volts	dBA	"B1" # of Rack Units Used		Plug
<b>XPN-0524-FP-2I</b>	Intake	2	204	40	115	43	5.250	3U	yes
<b>XPN-0524-FP-2E</b>	Exhaust	2	204	40	115	43	5.250	3U	yes
<b>XPN-0524-FP-2I-220</b>	Intake	2	204	40	230	43	5.250	3U	no
<b>XPN-0524-FP-2E-220</b>	Exhaust	2	204	40	230	43	5.250	3U	no

Air delivery based on operating at 60 HZ, single phase power.

### Note:

115 Volt includes a 6' power cord with molded 5-15P plug.

230 Volt has no plug.

### Note

If the fans are set to **intake** cooler air they should be positioned near the bottom of the rack.

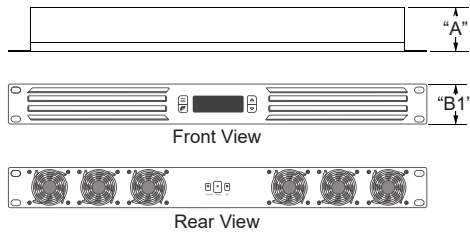
If the fans are set to **exhaust** out heated air they should be positioned near the top of the rack.

# Thermostatically Controlled Rack Fan Panels

## Thermostatically Controlled Rack Fan Panels

Thermostatically controlled rack fans panels are designed to mount in the front or rear panel openings and are primarily used to help protect rack-mount equipment from overheating, performance issues, and shortened lifespan.

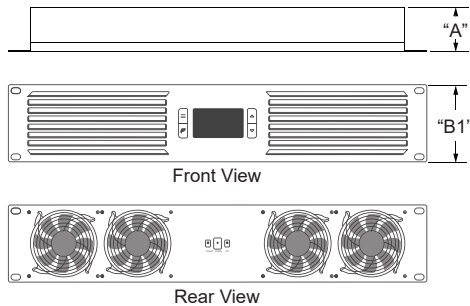
- 115 Volt AC power.
- Operating temperature range: 14°F to 230°F.
- Programmable thermostat controller with automated speed control, alarm warnings, and backup memory.
- PWM-controlled motor features precise speed control, reduced rotor noise, and runs on energy efficient DC voltage.
- Fan Motors are UL component recognized; CSA certified.
- Fans contain long-life ball bearings rated at 67,000 hours and are certified by CE, UL, and RoHS.
- Coded precision sensor probe constructed of stainless steel.
- Supplied with a 72" 18/3 SJT power cord with a NEMA 5-15P plug.
- Each unit contains a DC connector port which can be used to control another rack fan.



### Part Numbers

	Airflow	# of Fans	CFM	Watts	Volts	dBA	"A" Fan Depth	"B1" # of Rack Units Used	
<b>PN-0119-060I-FP</b>	Intake	6	20-60	8	12	8-28	1.50	1.75	1U
<b>PN-0119-060E-FP</b>	Exhaust	6	20-60	8	12	8-28	1.50	1.75	1U

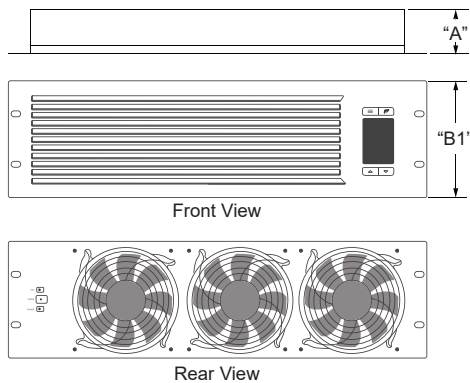
Air delivery based on operating at 115 volts, 60 HZ, single phase power.



### Part Numbers

	Airflow	# of Fans	CFM	Watts	Volts	dBA	"A" Fan Depth	"B1" # of Rack Units Used	
<b>PN-0319-130I-FP</b>	Intake	3	50-220	10	12	10-36	1.50	3.50	2U
<b>PN-0319-130E-FP</b>	Exhaust	3	50-220	10	12	10-36	1.50	3.50	2U

Air delivery based on operating at 115 volts, 60 HZ, single phase power.



### Part Numbers

	Airflow	# of Fans	CFM	Watts	Volts	dBA	"A" Fan Depth	"B1" # of Rack Units Used	
<b>PN-0519-300I-FP</b>	Intake	3	60-300	12	12	12-38	2.00	5.25	3U
<b>PN-0519-300E-FP</b>	Exhaust	3	60-300	12	12	12-38	2.00	5.25	3U

Air delivery based on operating at 115 volts, 60 HZ, single phase power.

### Note

If the fans are set to **intake** cooler air they should be positioned near the bottom of the rack.

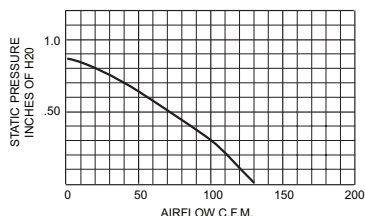
If the fans are set to **exhaust** out heated air they should be positioned near the top of the rack.



## Packaged Blowers

Packaged blowers effectively cool critical electronic components within an enclosure by means of clean positive air pressure.

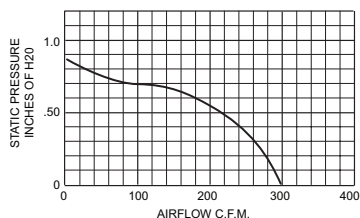
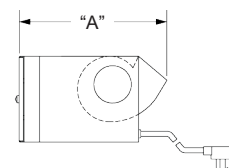
- 115 and 230 Volt AC power.
- Permanent washable filter which can be serviced without removing the blower from the rack.
- Operating temperature range: 20°F to 250°F.
- Fan motors are UL component recognized; CSA certified.
- Motor: Shaded-pole, rust resistant shaft, double shielded ball bearings and permanently lubricated.
- Includes exhaust guards and 65% open stainless-steel grille with captive fasteners.



### Part Number - 115 Volt | Part Number - 230 Volt

BL-130				BL-130-230			
CFM	Watts	AMPS		dBA	"A" Blower Depth	"B1" # of Rack Units Used	
		RUN	L.R.				
130	65	0.8	1.3	66.0	7.690	5.250	3U

Adapter bracket part number **ABA-05** | Weight 13 lbs.  
 Replacement filter part number **FI-130-300**



### Part Number - 115 Volt | Part Number - 230 Volt

BL-300				BL-300-230			
CFM	Watts	AMPS		dBA	"A" Blower Depth	"B1" # of Rack Units Used	
		RUN	L.R.				
300	95	1.4	1.9	64.5	7.690	5.250	3U

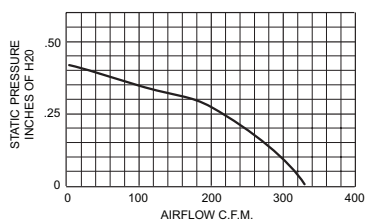
Adapter bracket part number **ABA-05** | Weight 13 lbs.  
 Replacement filter part number **FI-130-300**



Blower Detail

#### Note:

115 Volt includes a 3' power cord with molded 5-15P plug.  
 230 Volt includes a 3' power cord with no plug.



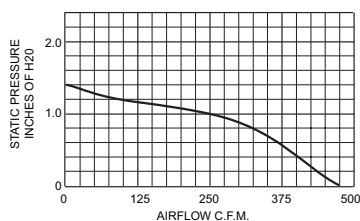
### Part Number - 115 Volt | Part Number - 230 Volt

BL-330				BL-330-230			
CFM	Watts	AMPS		dBA	"A" Blower Depth	"B1" # of Rack Units Used	
		RUN	L.R.				
330	85	1.1	1.6	60.2	10.060	7.000	4U

Adapter bracket part number **ABA-07** | Weight 18 lbs.  
 Replacement filter part number **FI-330-470**

#### Note:

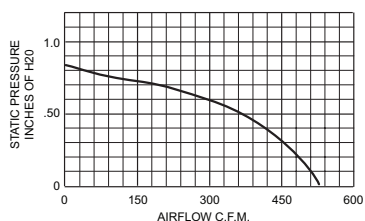
Blowers fit 19" EIA panel openings. When the blower is to be installed in a 24" EIA panel opening, an adapter bracket is required. The correct adapter bracket number is listed in each table and must be ordered separately.



### Part Number - 115 Volt | Part Number - 230 Volt

BL-470				BL-470-230			
CFM	Watts	AMPS		dBA	"A" Blower Depth	"B1" # of Rack Units Used	
		RUN	L.R.				
470	185	1.7	3.1	66.7	10.250	7.000	4U

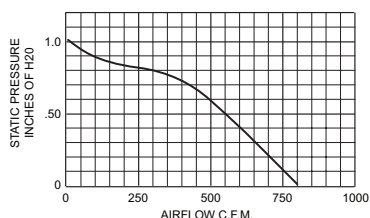
Adapter bracket part number **ABA-07** | Weight 18 lbs.  
 Replacement filter part number **FI-330-470**



### Part Number - 115 Volt

BL-525							
CFM	Watts	AMPS		dBA	"A" Blower Depth	"B1" # of Rack Units Used	
		RUN	L.R.				
525	140	1.3	1.9	63.6	11.560	8.750	5U

Adapter bracket part number **ABA-08** | Weight 28 lbs.  
 Replacement filter part number **FI-525**



### Part Number - 115 Volt | Part Number - 230 Volt

BL-800*				BL-800-230*			
CFM	Watts	AMPS		dBA	"A" Blower Depth	"B1" # of Rack Units Used	
		RUN	L.R.				
800	260	2.5	5.1	71.2	13.130	10.500	6U

Adapter bracket part number **ABA-10** | Weight 35 lbs.  
 Replacement filter part number **FI-800**  
 \*6 week lead time item

Air delivery based on operating at 60 HZ, single phase power.

# Fan Trays

## Fan Trays

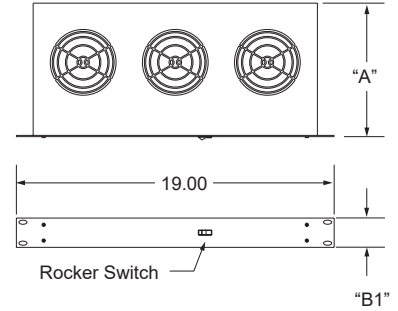
Fan trays mount to the front flange of the mounting rails and are primarily used for spot cooling within a frame.

- 115 Volt and 230 Volt AC power options.
- Fan Motors are UL component recognized; CSA certified.
- Exhaust guards on the top and bottom.
- Rear support brackets.
- Supplied with a 72" power cord with a NEMA 5-15P plug.

### Part Numbers

19" EIA Width	# of Fans	CFM	Watts	Volts	dBA	"A" Fan Tray Depth	"B1" # of Rack Units Used		Rear Support Bracket Max Depth
<b>FT-3-115V-300-NT</b>	3	310	45	115	53	8.00	1.75	1U	-
<b>FT-3-230V-300-NT</b>	3	310	45	230	53	8.00	1.75	1U	-

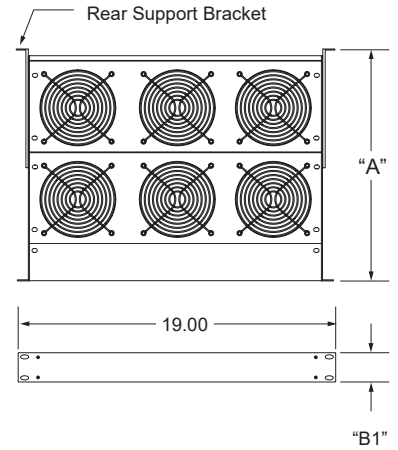
Air delivery based on operating at 60 HZ, single phase power.



### Part Numbers

19" EIA Width	# of Fans	CFM	Watts	Volts	dBA	"A" Fan Tray Depth	"B1" # of Rack Units Used		Rear Support Bracket Max Depth
<b>FT-6-115V-660</b>	6	660	90	115	47	14.00	1.75	1U	21.00"
<b>FT-6-115/230V-660</b>	6	660	90	115/230	47	14.00	1.75	1U	21.00"

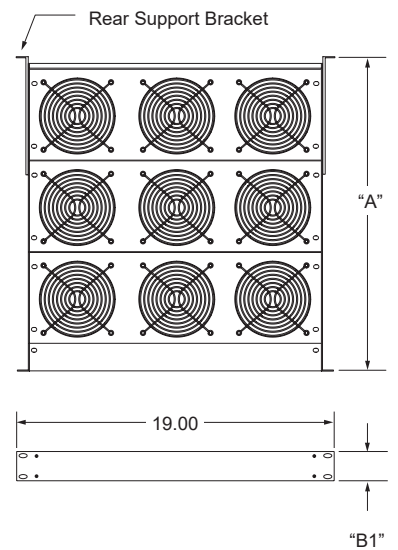
Air delivery based on operating at 60 HZ, single phase power.



### Part Numbers

19" EIA Width	# of Fans	CFM	Watts	Volts	dBA	"A" Fan Tray Depth	"B1" # of Rack Units Used		Rear Support Bracket Max Depth
<b>FT-9-115V-990</b>	9	990	135	115	47	19.00	1.75	1U	26.00"
<b>FT-9-230V-990</b>	9	990	135	230	47	19.00	1.75	1U	26.00"

Air delivery based on operating at 60 HZ, single phase power.



## Thermostatically Controlled Fan Trays

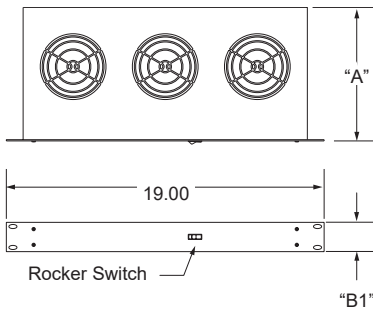
Fan trays mount to the front flange of the mounting rails and are primarily used for spot cooling within a frame. The thermostat senses the ambient temperature and adjusts its fan speed accordingly.

- 115 Volt and 230 Volt AC power options.
- Hub mounted or remote detachable thermistor.
- 600,000 hour life expectancy.
- Fan Motors are UL component recognized; CSA certified.
- Supplied with a 72" power cord with a NEMA 5-15P plug.

### Part Numbers

19" EIA Width	Thermistor Location	# of Fans	CFM	Watts	Volts	dBA	"A" Fan Tray Depth	"B1" # of Rack Units Used	
<b>FT-3-115V-300-HMT</b>	Hub Mounted	3	190-300	45	115	37-45	8.00	1.75	1U
<b>FT-3-230V-300-HMT</b>	Hub Mounted	3	190-300	45	230	37-45	8.00	1.75	1U
<b>FT-3-115V-300-RDT</b>	Remote / Detachable	3	190-300	45	115	37-45	8.00	1.75	1U

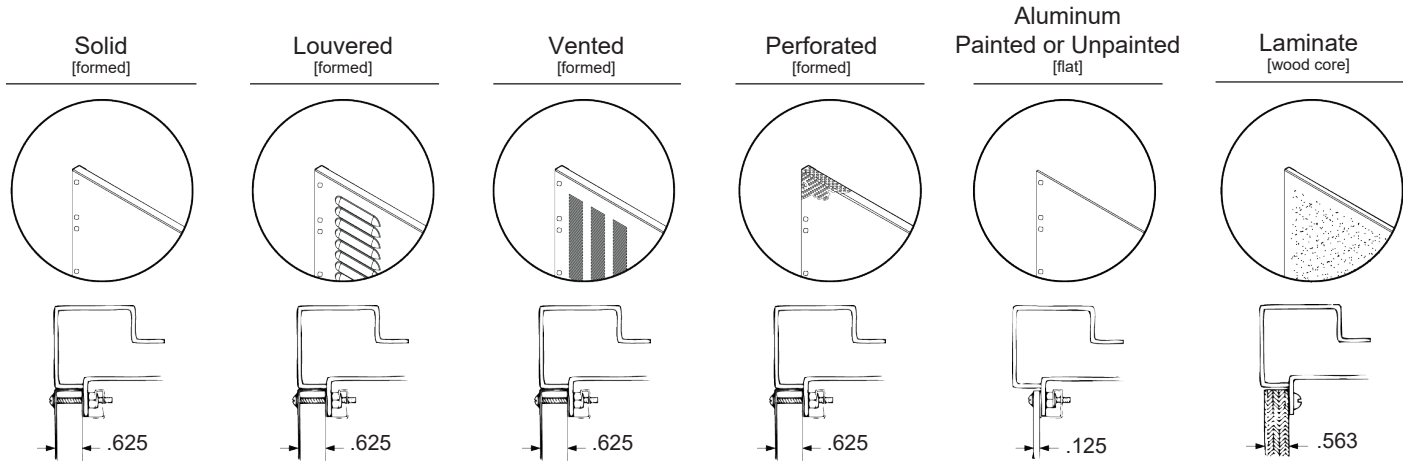
Air delivery based on operating at 60 HZ, single phase power.



# Filler Panels

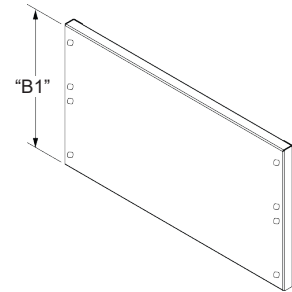
## Filler Panels

Available in 6 different styles, filler panels are designed to close off all, or portions of, the front or rear openings of the frame.



## Part Numbers

Solid	Louvered	Vented	Perforated	Aluminum**	Laminate	"B1"	
						# of Rack Units Used	
XPN-0119				XPN-0119-A	XPN-0119-F	1.750	1U
XPN-0319			XPN-0319-PA	XPN-0319-A	XPN-0319-F	3.500	2U
XPN-0519	XPN-0519-LV	XPN-0519-V	XPN-0519-PA	XPN-0519-A	XPN-0519-F	5.250	3U
XPN-0719	XPN-0719-LV	XPN-0719-V	XPN-0719-PA	XPN-0719-A	XPN-0719-F	7.000	4U
XPN-0819	XPN-0819-LV	XPN-0819-V	XPN-0819-PA	XPN-0819-A	XPN-0819-F	8.750	5U
XPN-1019	XPN-1019-LV	XPN-1019-V	XPN-1019-PA	XPN-1019-A	XPN-1019-F	10.500	6U
XPN-1219	XPN-1219-LV	XPN-1219-V	XPN-1219-PA	XPN-1219-A	XPN-1219-F	12.250	7U
XPN-1419	XPN-1419-LV	XPN-1419-V	XPN-1419-PA	XPN-1419-A	XPN-1419-F	14.000	8U
XPN-1519	XPN-1519-LV	XPN-1519-V	XPN-1519-PA	XPN-1519-A	XPN-1519-F	15.750	9U
XPN-1719	XPN-1719-LV	XPN-1719-V	XPN-1719-PA	XPN-1719-A	XPN-1719-F	17.500	10U
XPN-1919	XPN-1919-LV	XPN-1919-V	XPN-1919-PA	XPN-1919-A	XPN-1919-F	19.250	11U
XPN-2119	XPN-2119-LV	XPN-2119-V	XPN-2119-PA	XPN-2119-A	XPN-2119-F	21.000	12U
XPN-2219	XPN-2219-LV	XPN-2219-V	XPN-2219-PA	XPN-2219-A	XPN-2219-F	22.750	13U
XPN-2419	XPN-2419-LV	XPN-2419-V	XPN-2419-PA	XPN-2419-A	XPN-2419-F	24.500	14U



For 24" EIA width, change "19" to "24" in part number. Example: XPN-2119-LV becomes XPN-2124-LV.

\*\*Add "U" to the end of the part number for the un-painted version. Example: XPN-2219-A becomes XPN-2219-AU.

## Vent Grille

Aluminum vent grilles provide an effective means to fulfill your venting requirements.

### Part Numbers

19" EIA Width			
	"B1" # of Rack Units Used		% Opening
<b>AVGX-XXX-000319</b>	3.500	2U	45.0
<b>AVGX-XXX-000519</b>	5.250	3U	50.0
<b>AVGX-XXX-000719</b>	7.000	4U	52.5
<b>AVGX-XXX-000819</b>	8.750	5U	54.0

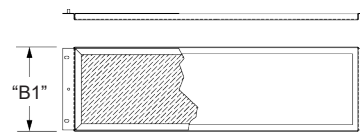


## Filter Retainer Assembly

These assemblies mount directly behind aluminum vent grilles, providing protection of airborne particles. Filters are washable and permanent.

### Part Numbers

19" EIA Width			
	"B1" # of Rack Units Used		% Opening
<b>ARFA-XXX-000319</b>	3.500	2U	47.2
<b>ARFA-XXX-000519</b>	5.250	3U	52.5
<b>ARFA-XXX-000719</b>	7.000	4U	55.1
<b>ARFA-XXX-000819</b>	8.750	5U	56.6

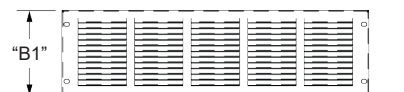


## Vent Panel

Steel vent panels provide an effective means to fulfill your venting requirements.

### Part Numbers

19" EIA Width			
	"B1" # of Rack Units Used		% Opening
<b>XPN-0319-VP</b>	3.500	2U	33.8
<b>XPN-0519-VP</b>	5.250	3U	45.1
<b>XPN-0719-VP</b>	7.000	4U	47.9
<b>XPN-0819-VP</b>	8.750	5U	49.6



24" EIA Width			
	"B1" # of Rack Units Used		% Opening
<b>XPN-0324-VP</b>	3.500	2U	32.1
<b>XPN-0524-VP</b>	5.250	3U	42.9
<b>XPN-0724-VP</b>	7.000	4U	45.5
<b>XPN-0824-VP</b>	8.750	5U	41.1

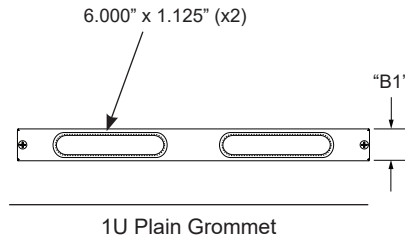
# Cable Pass Through Panels

## Cable Pass Through Panels

Cable pass through panels can be mounted in the front, rear or top opening of a frame allowing cables to enter and exit the cabinet in an organized fashion.

### Part Numbers

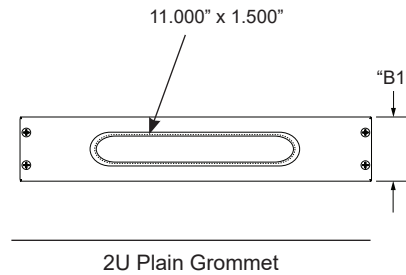
19" EIA Width	"B1"	
Plain Grommet	# of Rack Units Used	
<b>XPN-0119-CAP</b>	1.750	1U



24" EIA Width	"B1"	
Plain Grommet	# of Rack Units Used	
<b>XPN-0124-CAP</b>	1.750	1U

### Part Numbers

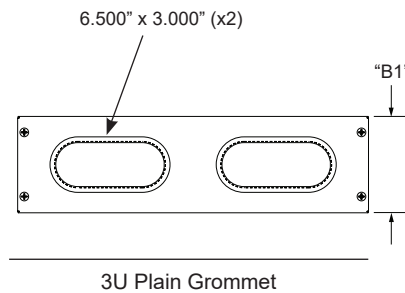
19" EIA Width	"B1"	
Plain Grommet	# of Rack Units Used	
<b>XPN-0319-CAP</b>	3.500	2U



24" EIA Width	"B1"	
Plain Grommet	# of Rack Units Used	
<b>XPN-0324-CAP</b>	3.500	2U

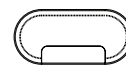
### Part Numbers

19" EIA Width	"B1"	
Plain Grommet	# of Rack Units Used	
<b>XPN-0519-CAP</b>	5.250	3U



24" EIA Width	"B1"	
Plain Grommet	# of Rack Units Used	
<b>XPN-0524-CAP</b>	5.250	3U

Grommet cap (6.5" x 3.0") available for use with the 3U cable pass through panels. Sold as each.



### Part Number

**XPN-05-CAP-GC**

Additional plain grommet material is available.  
Sold by the foot.

### Part Number

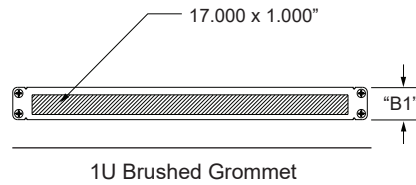
**GMT-0012**

## Cable Pass Through Panels

Cable pass through panels can be mounted in the front, rear or top opening of a frame allowing cables to enter and exit the cabinet in an organized fashion.

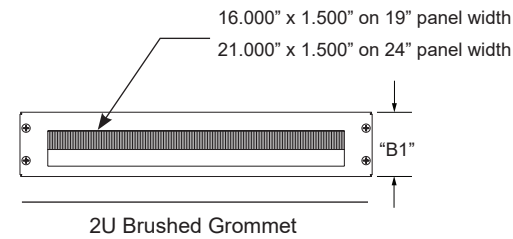
### Part Numbers

19" EIA Width		
Brushed Grommet	"B1"	
	# of Rack Units Used	
<b>CMH-1UBGR</b>	1.750	1U



### Part Numbers

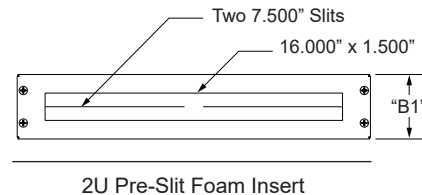
19" EIA Width		
Brushed Grommet	"B1"	
	# of Rack Units Used	
<b>XPN-0319-BGP</b>	3.500	2U



24" EIA Width		
Brushed Grommet	"B1"	
	# of Rack Units Used	
<b>XPN-0324-BGP</b>	3.500	2U

### Part Numbers

19" EIA Width		
Foam	"B1"	
	# of Rack Units Used	
<b>XPN-0319-FGP</b>	3.500	2U



24" EIA Width		
Foam	"B1"	
	# of Rack Units Used	
<b>XPN-0324-FGP</b>	3.500	2U

# Flush Mount Doors for Base Frames

## Flush Doors

Flush doors fit into the panel opening of the frame. The doors utilize the mounting rails for an attachment point. Lift-off hinges, in a stylish black finish, allow for quick removal. The low-profile single point lockable handle provides the security your system may need. Specify front or rear mounting.

## Part Numbers

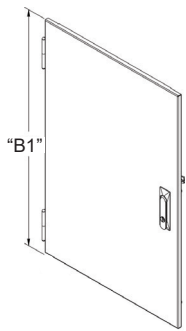
19" EIA Width	24" EIA Width	"B1" # of Rack Units Used
<b>[1] Block Indicate:</b> [S] = Solid [V] = Vented [L] = Louvered  <b>[2] Block Indicate:</b> [R] = Right Hinge [L] = Left Hinge	<b>[1] Block Indicate:</b> [S] = Solid [V] = Vented [L] = Louvered  <b>[2] Block Indicate:</b> [R] = Right Hinge [L] = Left Hinge	

Fills the entire opening of the Base Frames.

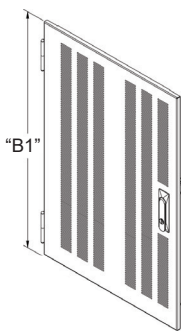
DF-H[1][2]-1519	DF-H[1][2]-1524	15.750	9U
-----------------	-----------------	--------	----

Additional heights available to fill portions of the opening on the Base Frames.

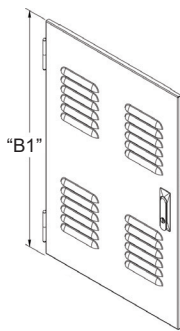
DF-H[1][2]-1219	DF-H[1][2]-1224	12.250	7U
DF-H[1][2]-1419	DF-H[1][2]-1424	14.000	8U



Solid



Vented



Louvered



# Surface Mount Doors for Base Frames

## Surface Mount Doors

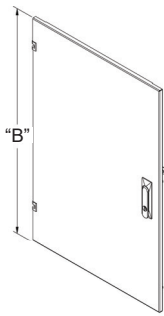
Available in three styles, these doors feature a low-profile lockable single point latch handle and stylized black hinges that allow for 120° of rotation. The doors cover the panel opening of the frame providing the space necessary to mount equipment and accessories behind the door panel. When mounted, these doors add 1.00" to the overall depth. Specify front or rear mounting.

### Part Numbers

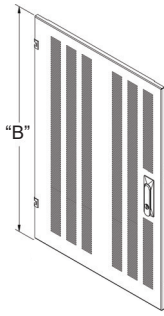
19" EIA Width	24" EIA Width	"B" Overall Height	Covers opening in frames w/ this usable height
<b>[1] Block Indicate:</b> [S] = Solid [V] = Vented [L] = Louvered  <b>[2] Block Indicate:</b> [R] = Right Hinge [L] = Left Hinge	<b>[1] Block Indicate:</b> [S] = Solid [V] = Vented [L] = Louvered  <b>[2] Block Indicate:</b> [R] = Right Hinge [L] = Left Hinge		

Covers the entire front opening on the Base Frames.

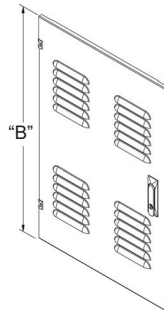
DS-E[1][2]-1619	DS-E[1][2]-1624	18.562	15.750	9U
-----------------	-----------------	--------	--------	----



Solid

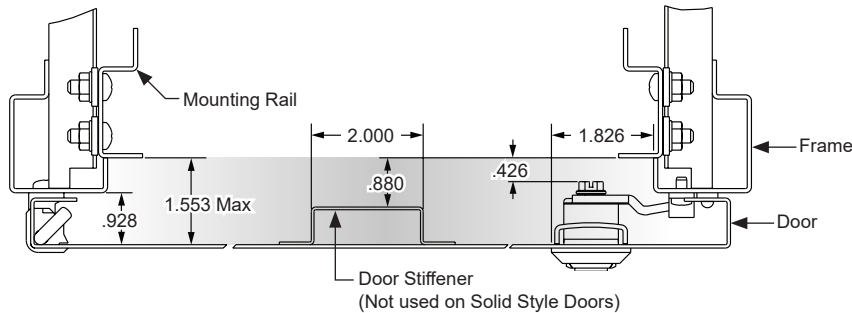


Vented



Louvered

### Section View



# Name Plate

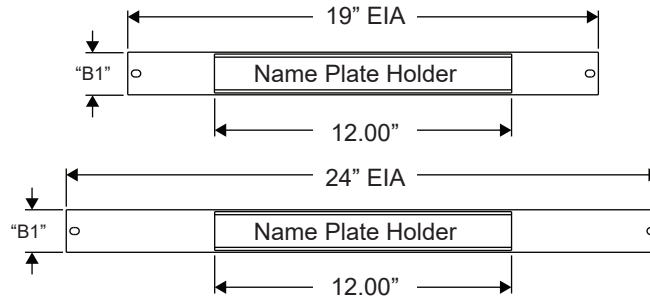
## Name Plates









Name plates provide product or system identification. The name plate consists of an aluminum panel with a 12" length extrusion that can be labeled with a protective insert. Name plates mount to the mounting rail utilizing 1U of the available rack space in a frame. The name plate holder itself is 12" in length for both the 19" and 24" EIA Width versions.

## Part Numbers

19" EIA Width	"B1" # of Rack Units Used	
<b>APNA-0119-NP</b>	1.750	1U

24" EIA Width	"B1" # of Rack Units Used	
<b>APNA-0124-NP</b>	1.750	1U



	Part Numbers	Description	Where Used
Mounting Panels, Electronics and Other Equipment		<b>HW-092</b> (AHWX-092-003219) #10-32 Clip Nut	Use when mounting 5/8" or 1/8" thick filler/closure panels or other rack-mountable equipment/electronics to thru hole mounting rails. Use with HW-103, HW-104, HW-303 or HW-304 panel screws.
		<b>HW-104</b> #10-32 x .500" Panel Screw	Used when mounting 1/8" thick filler/closure panels or other rack-mountable equipment/electronics to tapped mounting rails or in conjunction with clip nut HW-092 on thru-hole rails. Comes with polyethylene washer.
		<b>HW-304</b> #10-32 x .500" Panel Screw - Black	Used when mounting 1/8" thick filler/closure panels or other rack-mountable equipment/electronics to tapped mounting rails or in conjunction with clip nut HW-092 on thru-hole rails. Comes with polyethylene washer.
		<b>HW-103</b> #10-32 x 1.125" Panel Screw	Used for mounting 5/8" formed filler/closure panels or other rack-mountable equipment/electronics to tapped mounting rails or in conjunction with clip nut HW-092 on thru-hole rails. Comes with polyethylene washer.
		<b>HW-303</b> #10-32 x 1.125" Panel Screw - Black	Used for mounting 5/8" formed filler/closure panels or other rack-mountable equipment/electronics to tapped mounting rails or in conjunction with clip nut HW-092 on thru-hole rails. Comes with polyethylene washer.
		<b>HW-110</b> #10 self-tapping screw "A" threads.	Used for mounting laminated filler/closure panels.
	<b>HW-1032</b> #10-32 Panel Stand-off	Used for mounting 1/8" thick filler/closure panels to bring them flush with front of frame. Use with HW-154 keps nut and HW-104 or HW-304 panel screws.	
Joining Frames		<b>HW-161</b> 5/16-18 x 3/4" Hex Head Screw	Used for joining vertical and dual-bay frames together side by side. Use with HW-162 flat washer and HW-163 keps nut.
		<b>HW-162</b> 5/16 Flat Washer	Used for joining vertical and dual frames together side by side. Use with HW-161 hex head screw and HW-163 keps nut.
		<b>HW-163</b> 5/16-18 Keps Nut	Used for joining vertical and slope front frames together side by side. Use with HW-161 hex head screw and HW-162 flat washer.
		<b>HW-154</b> #10-32 Keps Nut	Used for mounting 1/8" thick filler/closure panels to bring them flush with front of frame. Use with HW-1032 panel stand-off and HW-104 or HW-304 panel screws.

# Table of Contents

---

- **Overview** ..... 2-3
- **Ordering Guide** ..... 4-5
- **Base Structure** ..... 6-9
  - Base Frames
  - Mounting Rails for Base Frames
  - Turret Frames
- **Monitor Arms** ..... 10-14
  - Straight Link Arms
  - Dynamic Link Arms
- **Turret Accessories** ..... 15-17
  - Storage Compartment
  - Articulating Arm with Mounting Panel
  - Book Shelf
  - Rear Turret Panels
- **Keyboard/Pencil Trays** ..... 18-19
- **Power** ..... 20
  - 15 Amp
  - 20 Amp
  - Direct Wire
- **Grounding** ..... 21
  - Bus Plate
- **Cable Management** ..... 22-23
  - Vertical Lacing Panels
  - Horizontal Cable organizer with D-Rings
  - Din Rail
  - Horizontal Lacing Bars/Panels
  - Cable Trough
  - Cable Ties / Velcro
- **Lighting** ..... 24-25
  - Rack Lights
  - Lampsets
  - Task Lighting
- **Shelves/Drawers** ..... 26-36
  - Sliding Shelves
  - Fixed Shelves
  - Work Surface Drawers
  - Chassis Guides
  - Equipment Drawers
- **Airflow Management** ..... 37-41
  - Dual Fan Panels
  - Rack Fan Panels
  - Fan Trays
  - Blowers
  - Filters and Other Accessories
- **Panels** ..... 42-45
  - Cable Pass Through Panels
  - Formed Steel Filler Panels
  - Flat Aluminum Filler Panels
  - Laminate Filler Panels
  - Name Plates
- **Doors** ..... 46-47
  - Flush Mount
  - Surface Mount
- **Hardware** ..... 48-49

## Rack Units (U) / Inches Conversion Table

Rack Units	Inches
48 U	84.00"
46 U	80.50"
45 U	78.75"
44 U	77.00"
43 U	75.25"
42 U	73.50"
41 U	71.75"
40 U	70.00"
39 U	68.25"
38 U	66.50"
37 U	64.75"
36 U	63.00"
35 U	61.25"
34 U	59.50"
33 U	57.75"
32 U	56.00"
31 U	54.25"
30 U	52.50"
29 U	50.75"
28 U	49.00"
27 U	47.25"
26 U	45.50"
25 U	43.75"
24 U	42.00"
23 U	40.25"
22 U	38.50"
21 U	36.75"
20 U	35.00"
19 U	33.25"
18 U	31.50"
17 U	29.75"
16 U	28.00"
15 U	26.25"
14 U	24.50"
13 U	22.75"
12 U	21.00"
11 U	19.25"
10 U	17.50"
9 U	15.75"
8 U	14.00"
7 U	12.25"
6 U	10.50"
5 U	8.75"
4 U	7.00"
3 U	5.25"
2 U	3.50"
1 U	1.75"



# Emcor Product Portfolio

## Cabinets and Enclosures

This standard product lineup includes a range of vertical racks and cabinets, which can be configured or modified with numerous accessories and sizes to meet your diverse needs.



ESQ®



10 Series®



Seismic



Data Center

## Consoles and Workstations

This standard product lineup includes a range of modular security consoles and workstations that can be configured to meet the space constraints of any room.



FP1



FP2



ESQ®



Air Traffic Control

## Custom Solutions

For those needs that fall outside of Emcor's standard products, we can build completely custom solutions to meet the needs of any customer.



Outdoor Enclosures



Cages



Air Conditioned