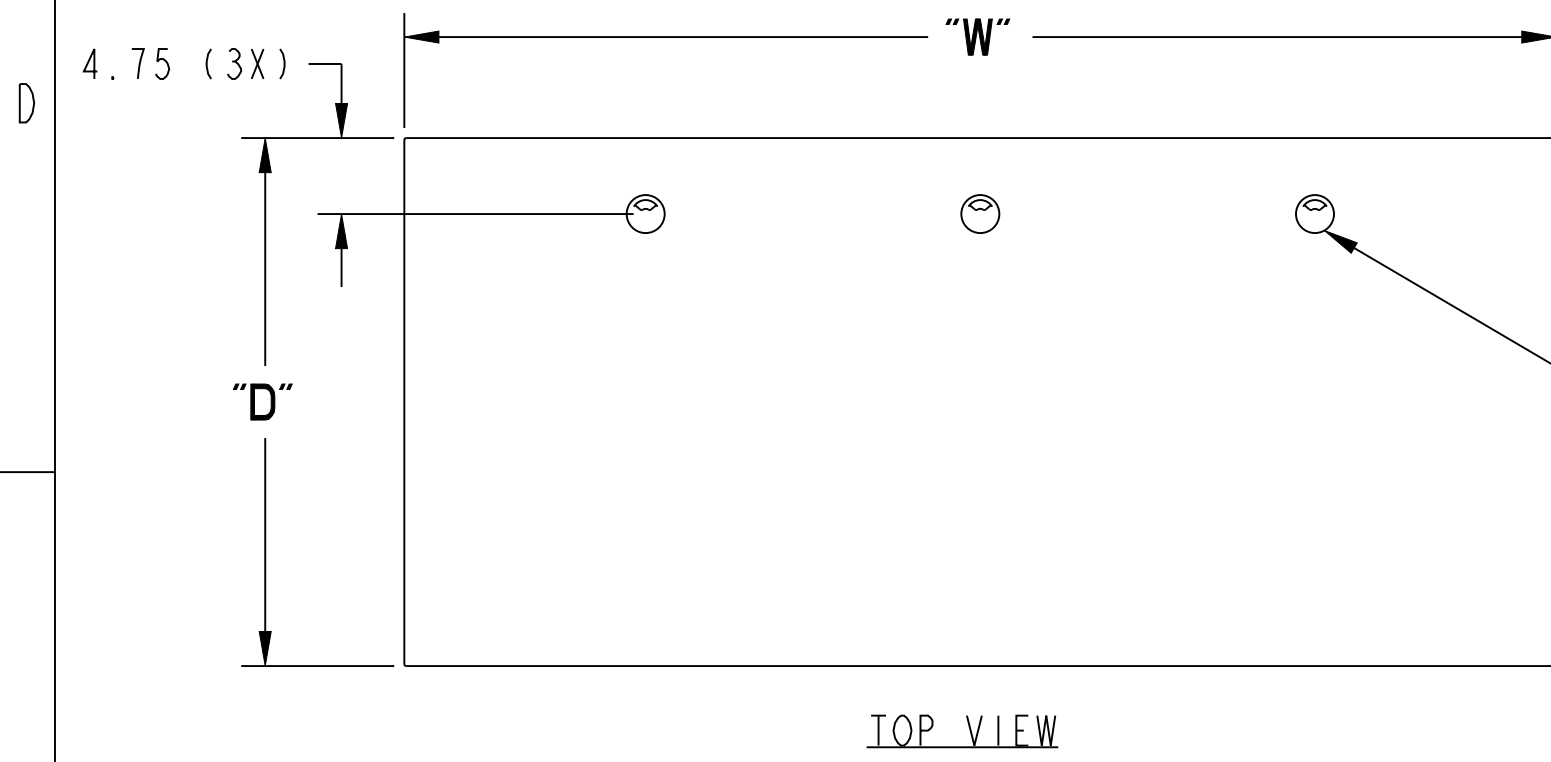
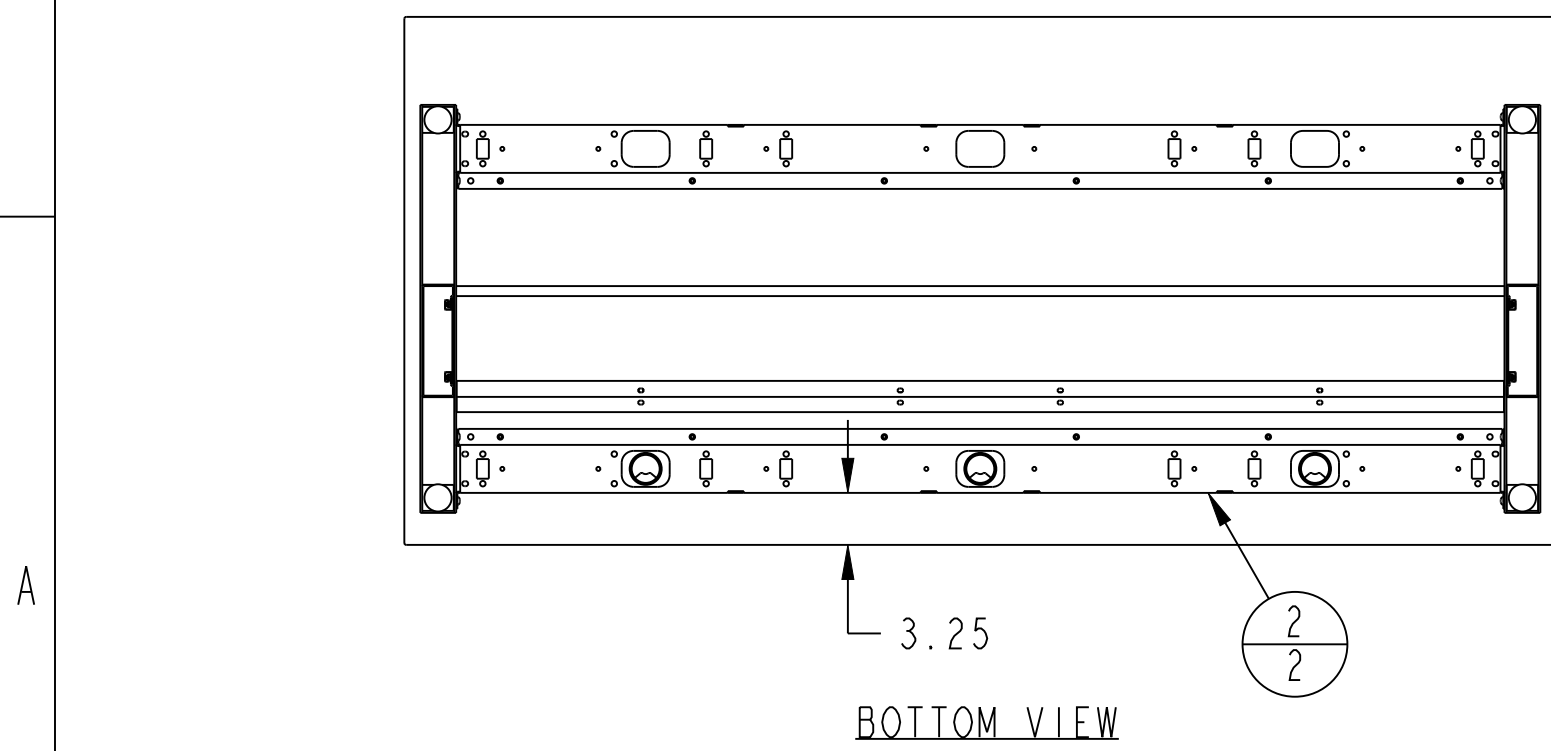
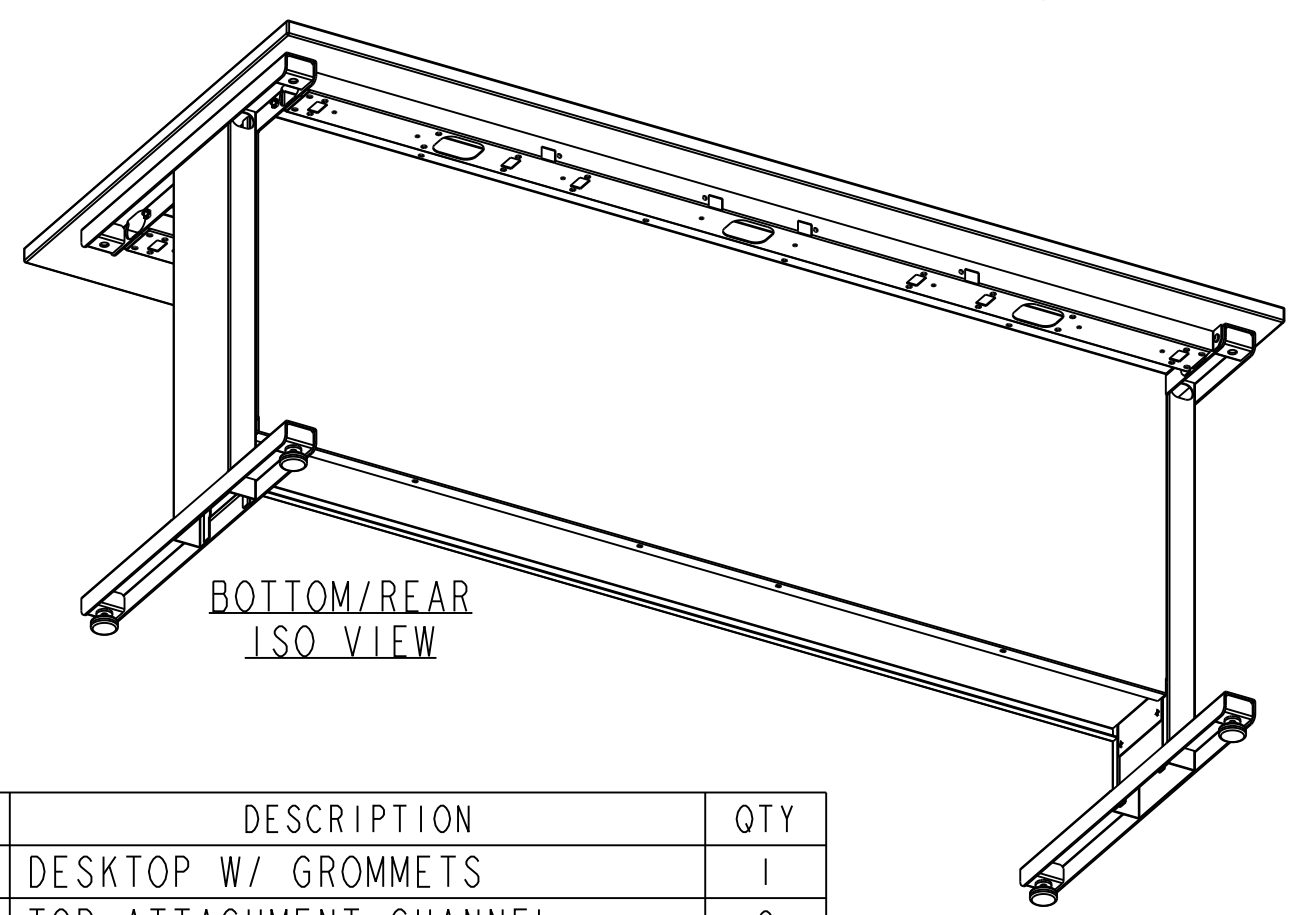
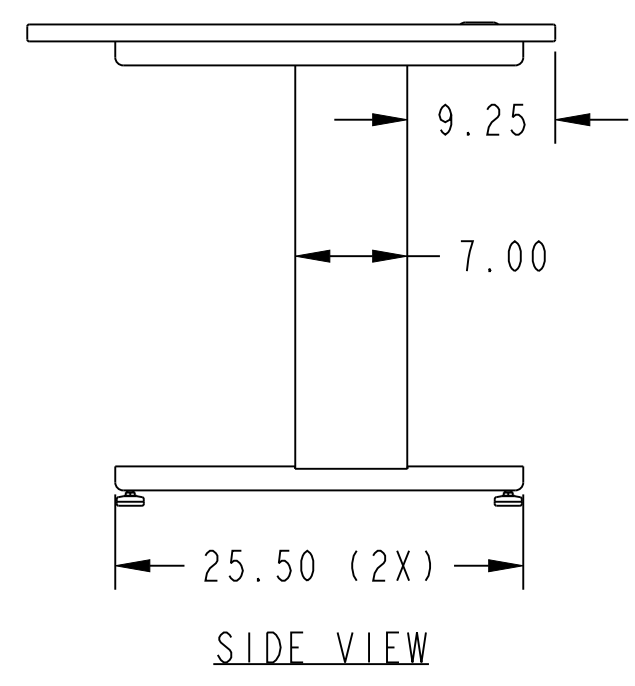
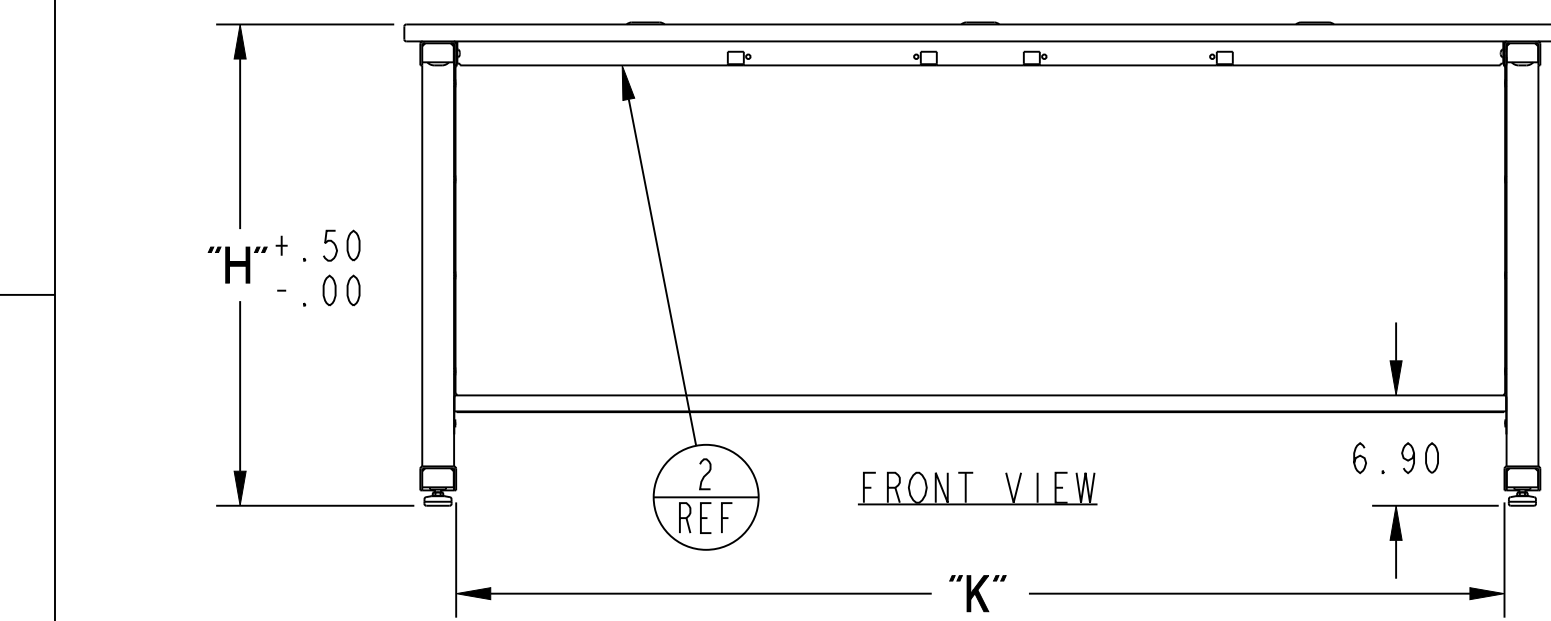
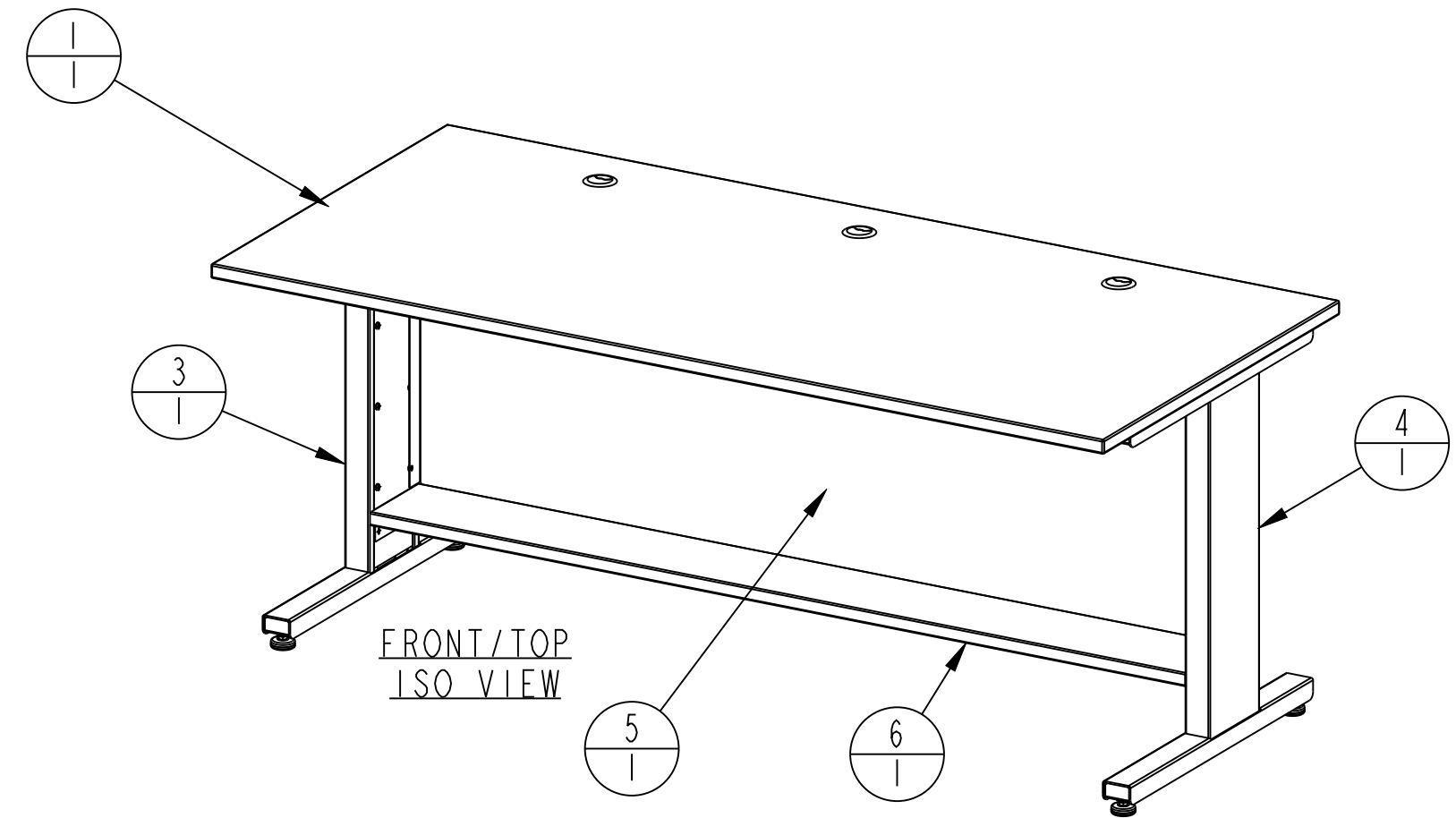


EMCOR NO.	DESCRIPTION	W	D	H	K	ITEM_1	ITEM_2	ITEM_3	ITEM_4	ITEM_5	ITEM_6	ITEM_7
467798	DK-3360-00	60.000	33.000	30.081	53.520	467793	419786	419651	419649	419708	419644	720952
467799	DK-3372-00	72.000	33.000	30.081	65.520	467794	419787	419651	419649	419703	419645	720953




2.0" GROMMET (3X)



ITEM #	PART #	DESCRIPTION	QTY
1	DT-G-*-P	DESKTOP W/ GROMMETS	1
2	TAC-*	TOP ATTACHMENT CHANNEL	2
3	SL-*-L	SUPPORT LEG ASSEMBLY	1
4	SL-*-R	SUPPORT LEG ASSEMBLY	1
5	SKT-*	SKIRT PAINT	1
6	LSP-*	LEG SUPPORT-PAINT	1
7	PKG_GRP-DK-*	PACKAGE GROUP-COMPUDESK	1
8	434910	CHWK-2	1

NOTE:  
1. ITEMS 7 AND 8 ARE NOT SHOWN.

MATERIAL		2PLACE DEC. ± REF 1PLACE MM ±[.]	CUST NO.
		3PLACE DEC. ± REF 2PLACE MM ±[.]	MODEL
		ANGLES ± REF°	NEXT ASSY
		DO NOT SCALE DRAWING - REPORT ERRORS	SIMILAR TO
		TOLERANCES DO NOT APPLY TO WELD DIMENSIONS UNLESS OTHERWISE SPECIFIED. ALL WELDING MUST CONFORM TO ES-166	 Rochester, Minnesota
		THE INFORMATION HEREON IS THE CONFIDENTIAL AND PROPRIETARY PROPERTY OF EMCOR ENCLOSURES, ROCHESTER MN. IT IS LOANED SUBJECT TO RECALL AT ANY TIME AND IS NOT TO BE USED IN ANY WAY DETRIMENTAL TO EMCOR'S INTEREST.	
DP	SCALE 0.083	DATE 04/02/23	REV.
0 230000.26 / SPCL PRODUCTION RELEASE	MB	06/03/23	DWN.BY MB
REVISIONS	DR APP	DATE	CHK.BY
DESK W/ 2 LEGS NO PEDSTALS			DK-*-00 0