

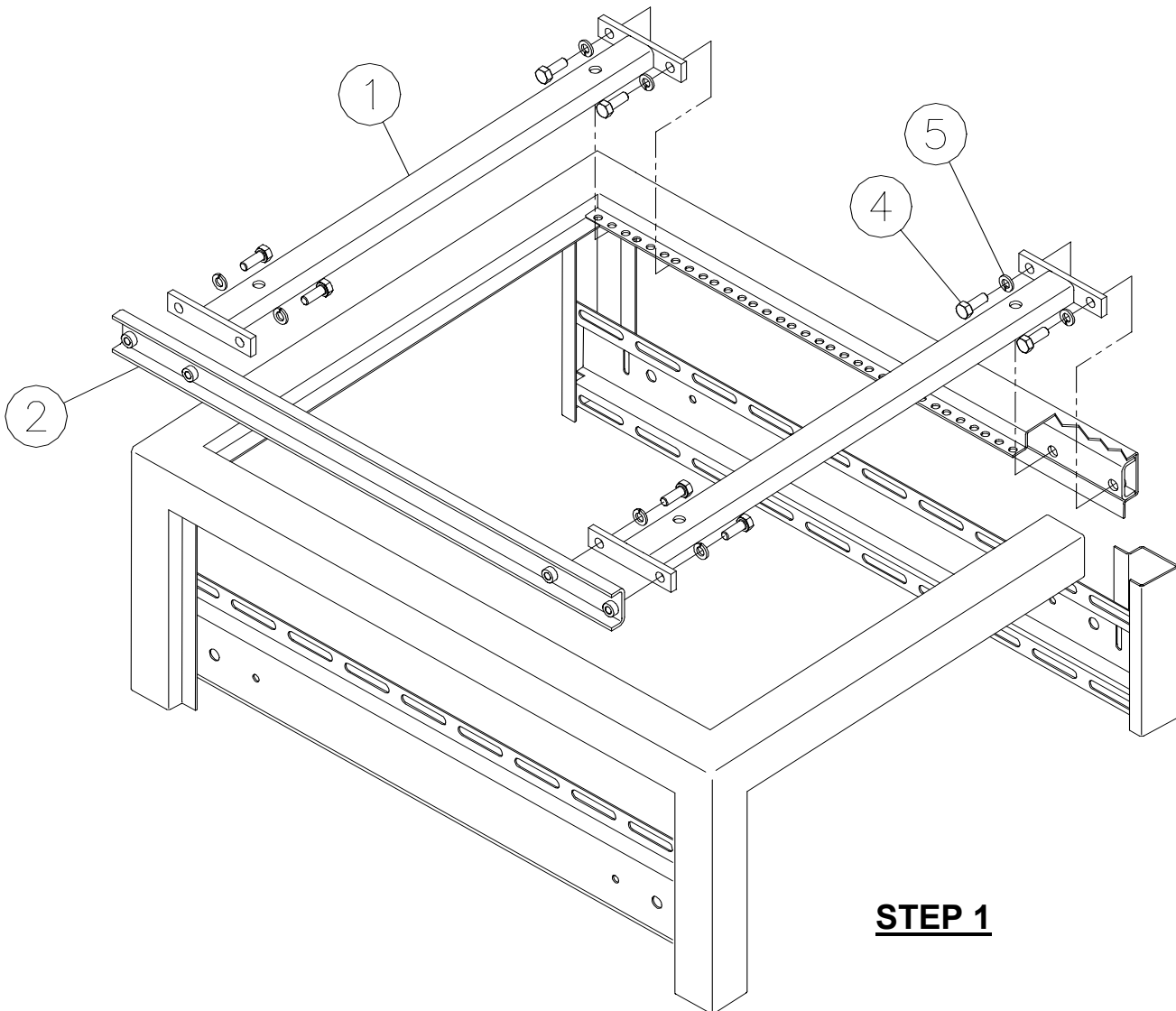
ASSEMBLY INSTRUCTIONS



(507) 287-3535 www.emcorenclosures.com

10 Series Lift Kit

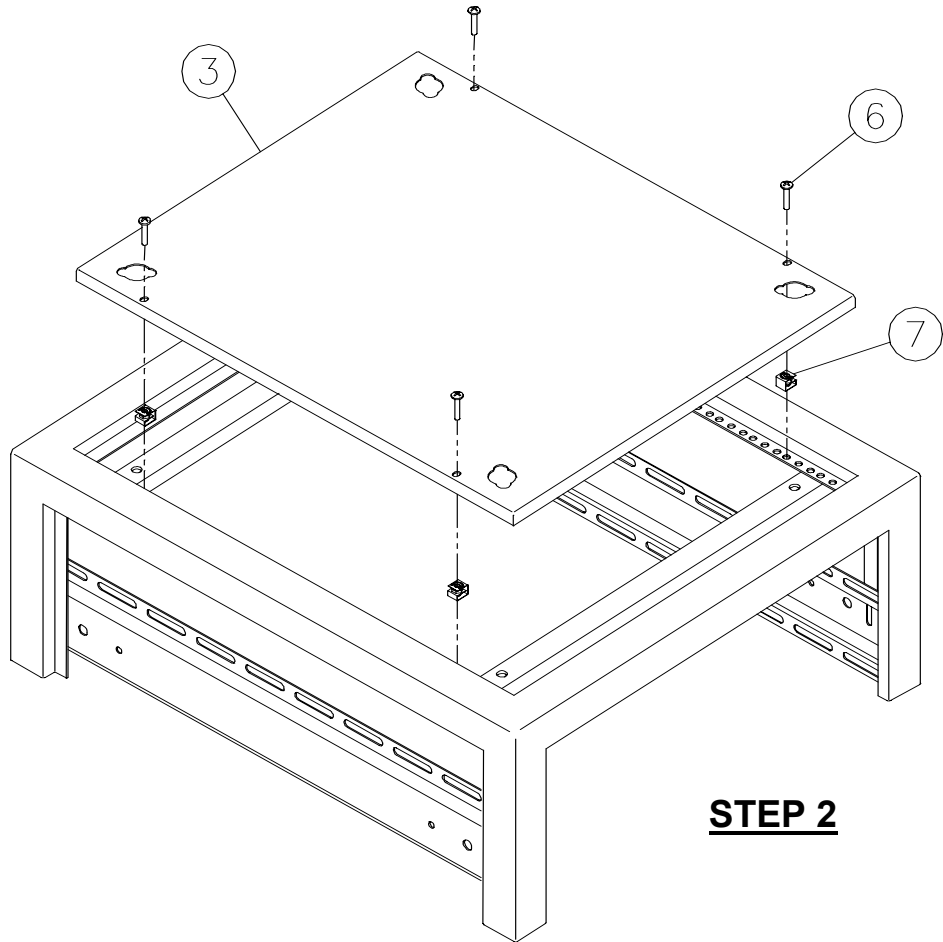
ITEM	DESCRIPTION	QTY
1	CROSS BAR	2
2	SIDE BAR	2
3	TOP PANEL	1
4	5/16-18 X .875 HH CAP SCREW	8
5	5/16 LOCK WASHER	8
6	10-32 X 1.12 PAN HD SCREW	4
7	10-32 CLIP NUT	4
8	3/8-16 X 1.00 LIFT EYE	4
9	3/8-16 X 1.25 HH CAP SCREW	4
10	3/8 LOCK WASHER	4



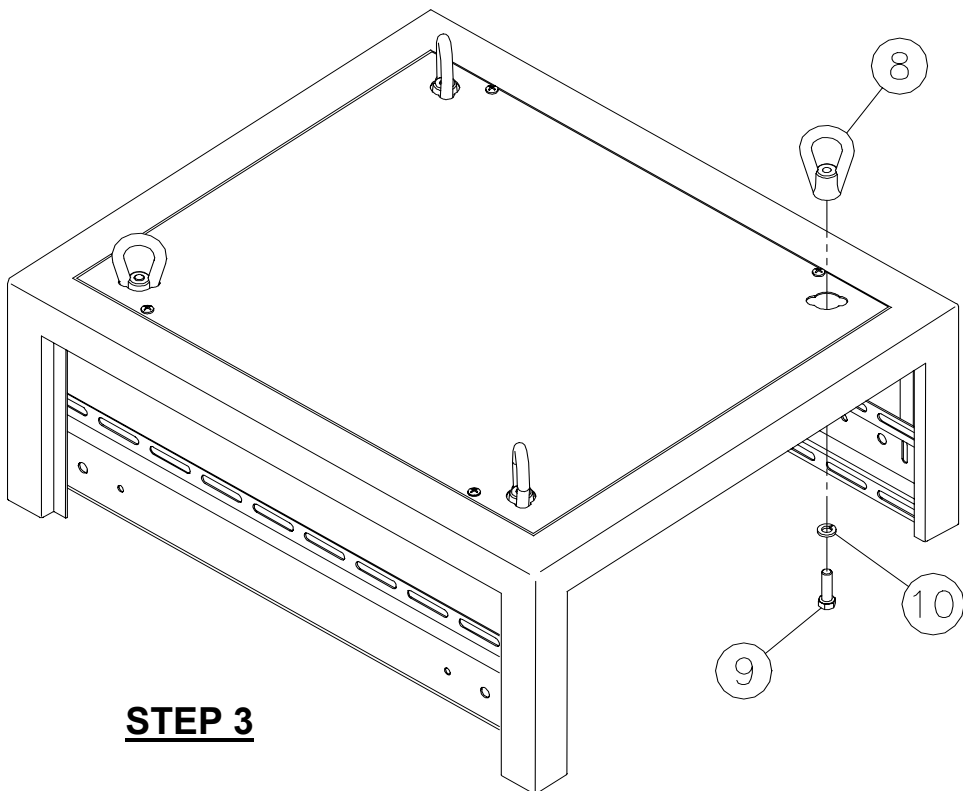
STEP 1

10 Series Lift Kit

Drawing No. 946158



STEP 2



STEP 3