

ASSEMBLY INSTRUCTIONS

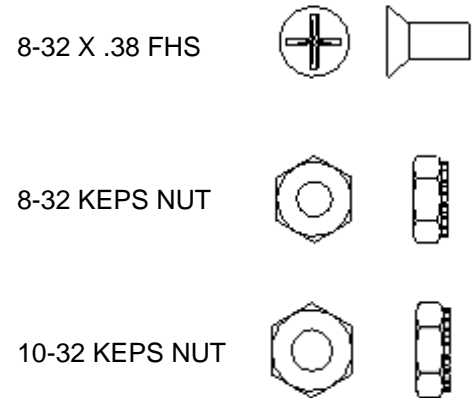
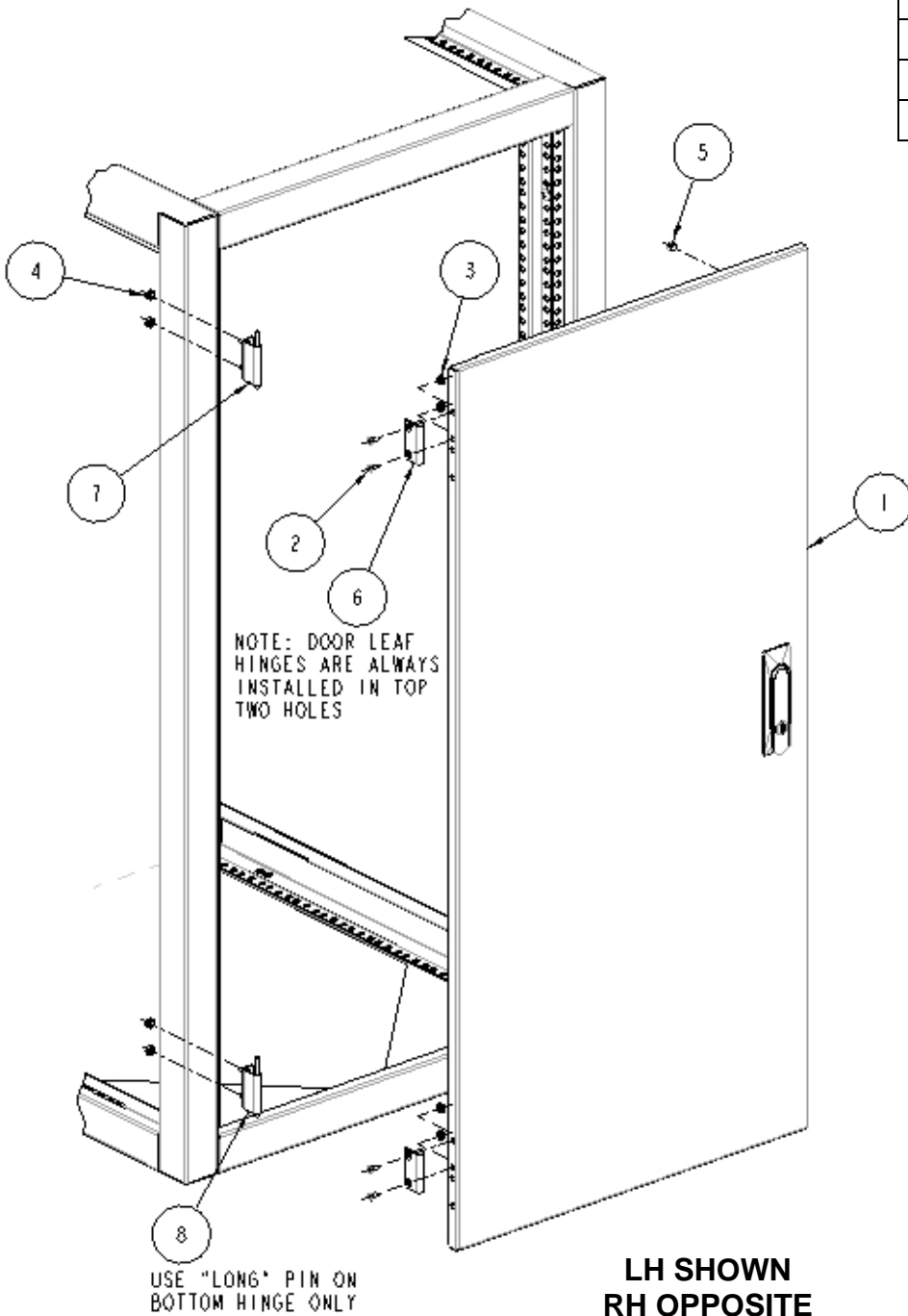


(507) 287-3535 www.emcorenclosures.com

Emcor Flush Door

ITEM	DESCRIPTION
1	DOOR, FLUSH PAINT
2	8-32 X .38 FHS
3	8-32 KEPS NUT
4	10-32 KEPS NUT
5	BUMPER
6	HINGE, DOOR
7	HINGE, CAB-SHORT
8	HINGE, CAB-LONG

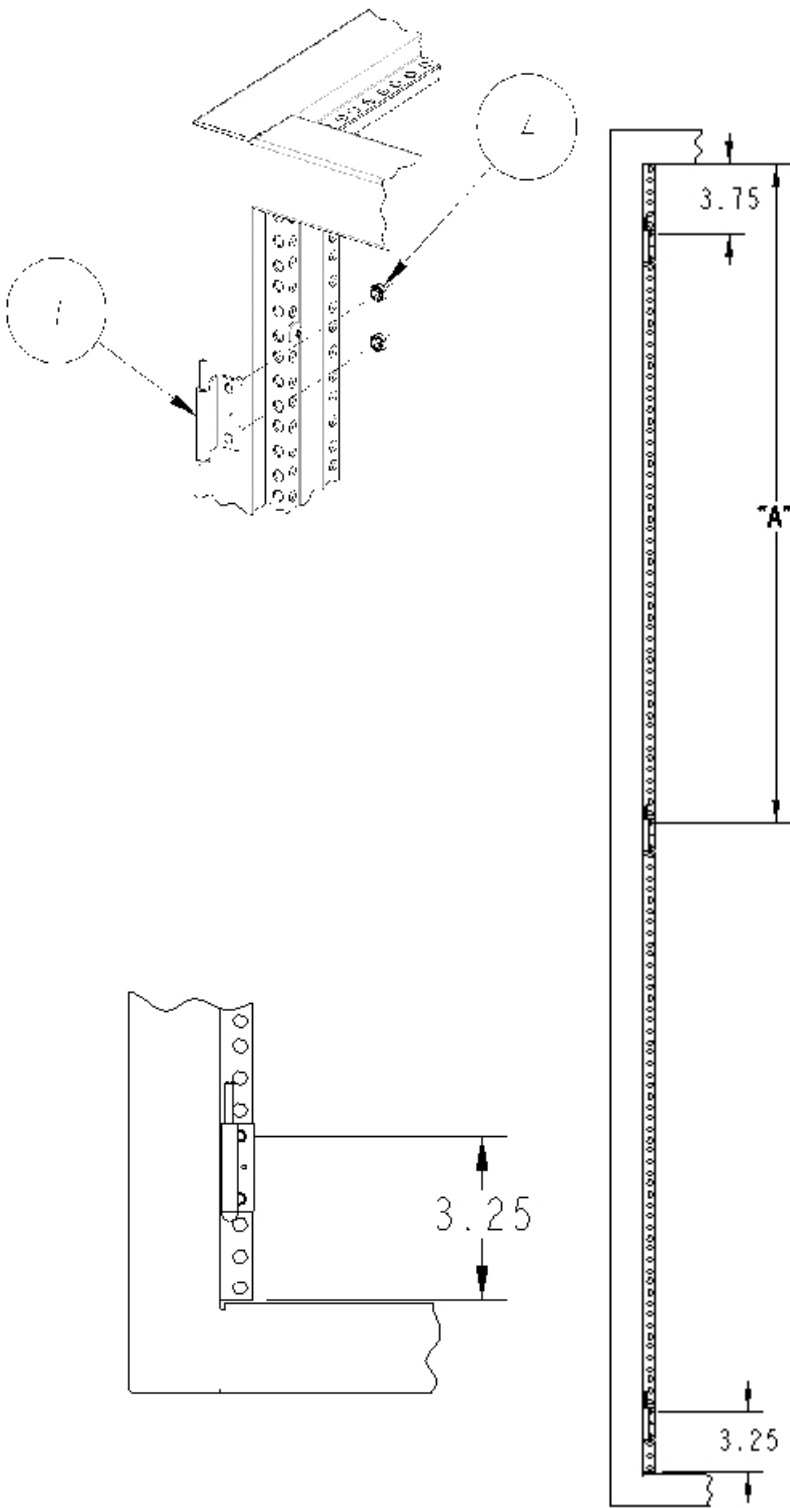
QUANTITIES WILL VARY ACCORDING TO CONFIGURATION



Drawing No. 946164

Emcor Flush Door

Drawing No. 946164



DESCRIPTION	A
DF-*-12*	-
DF-*-14*	-
DF-*-15*	-
DF-*-17*	-
DF-*-19*	-
DF-*-21*	-
DF-*-22*	-
DF-*-24*	-
DF-*-26*	-
DF-*-28*	-
DF-*-31*	-
DF-*-33*	-
DF-*-35*	-
DF-*-36*	-
DF-*-38*	-
DF-*-40*	-
DF-*-42*	-
DF-*-43*	-
DF-*-45*	-
DF-*-47*	-
DF-*-49*	-
DF-*-52*	-
DF-*-54*	-
DF-*-56*	-
DF-*-61*	30.00
DF-*-63*	31.75
DF-*-64*	31.75
DF-*-70*	35.25
DF-*-71*	35.25
DF-*-73*	37.00
DF-*-78*	38.75

NOTE: DOORS 61" AND TALLER HAVE 3 HINGES.

CABINET HINGE LOCATIONS